

# Installation Instructions

**B352**

Shard Outdoor Sconces 302515D & 302517D

Page 1 of 3

**CAUTION: FAILURE TO INSTALL THIS FIXTURE PROPERLY MAY RESULT IN SERIOUS PERSONAL INJURY OR DEATH AND PROPERTY DAMAGE. We recommend installation by a licensed electrician.**

This product must be installed in accordance with applicable installation code(s), by a person familiar with the construction and operation of the product and the hazards involved.\*

**Caution:** Do not exceed maximum wattage noted on fixture. Use only recommended bulbs with fixture.

**Please Note:** This fixture is designed to be mounted on a standard wall surface and may not be suitable for all applications. Sconces are to be mounted 4 feet above ground. If installing in a non-wood frame application, we recommend consulting a qualified builder or electrician.

## To Mount Fixture to Wall (Figures 1 thru 3)

### Component Parts

- A Fixture Assembly
- B Mounting Bracket
- C #8 Black Screws (4)
- D Rubber Washer (2)
- E Green Ground Screw
- F Cupped Washer
- G Caulking Lip
- H Decorative Assembly
- I Black Screws (2)

**Caution:** Be sure power is off at the main breaker box prior to installation.

1. Carefully unpack the fixture from the carton.
2. Using two machine screws (not provided) fasten the mount bracket (B) to the electric box.

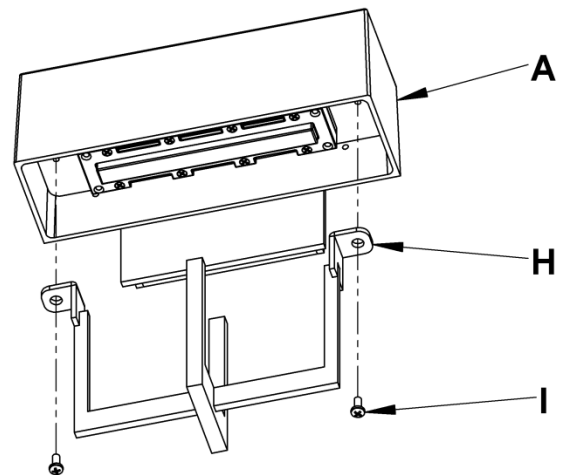
**Note:** A new electric box comes with screws. When replacing an existing fixture, retain screws for use with the new fixture.

3. Remove decorative assembly (H) by removing the two black screws (I). (Figure 1)

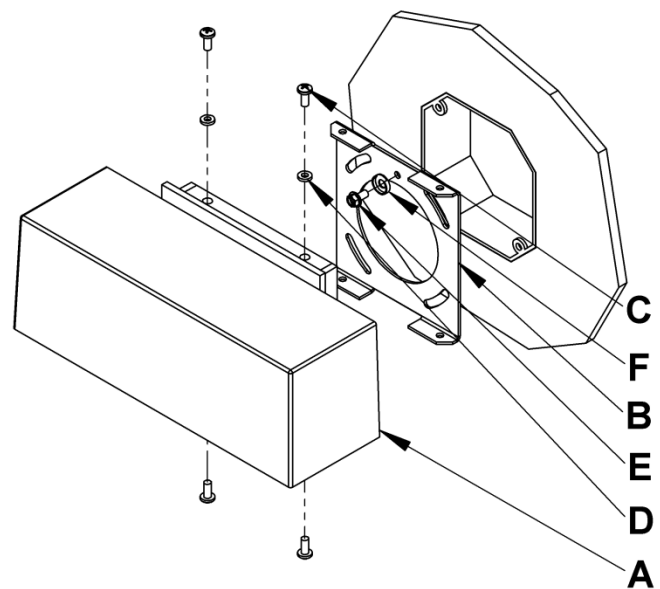
**Note:** Decorative assembly is shipped installed.

4. Hold the fixture assembly (A) close to the wall mount bracket and using suitable wire connectors (not provided), connect fixture wires to supply wires (white to white and black to black). Ground the mounting bracket using the green ground screw (E) and cupped washer (F), from the mounting kit, to secure a pigtail lead to the bracket and connect all ground wires (bare copper or green to bare copper or green).

**Caution:** Make sure wire connectors are twisted on securely, and no bare wires are exposed.



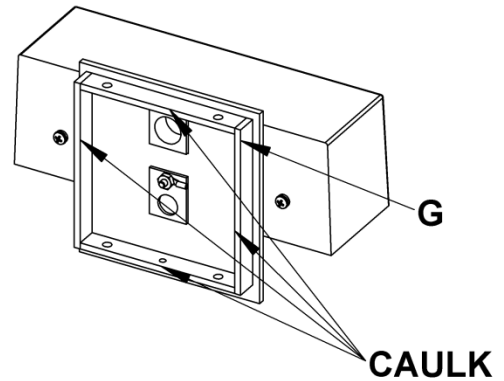
(Figure 1)



(Figure 2)

(continued)

5. Apply a generous bead of a suitable caulking material (not provided) to caulking lip (G) on the fixture. Caulk should be applied around the entire perimeter of the back (Figure 3)
6. Carefully tuck all wires behind the fixture assembly (A) and inside the mounting bracket (B). Place the fixture assembly (A) firmly onto mounting bracket (B) and fasten with two #8 black screws (C) and rubber washers (D) on top. (Figure 2)
7. Install the two remaining black screws (C) in bottom of fixture attaching to wall mounting bracket (B). (Figure 2)



(Figure 3)

## To Install Glass (Figure 4)

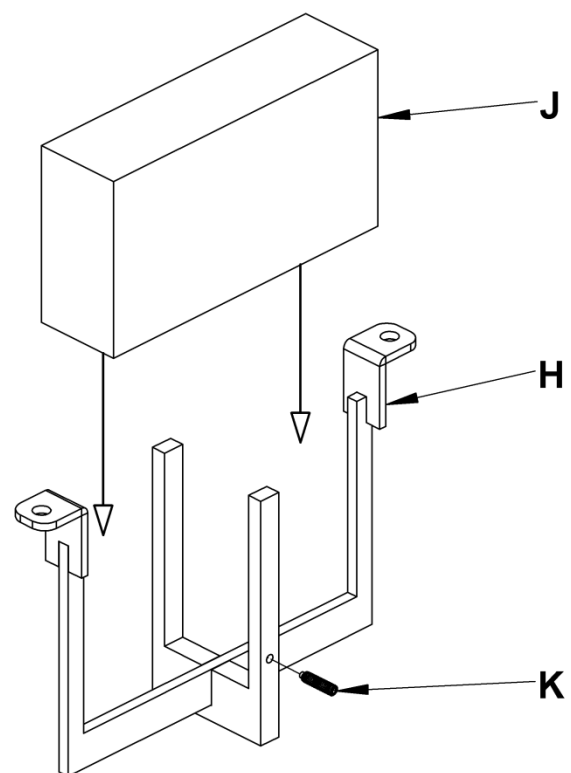
### Component Parts

- H Decorative Assembly
- J Glass
- K Set Screw

1. Carefully slide glass (J) into decorative assembly (H). The side of the glass (J) with different colored pieces should be facing the set screw.

**Note:** Set screw (K) might need to be backed out before glass (J) can be dropped in. It is not necessary to completely remove set screw (K).

2. Using hex wrench (provided), tighten set screw (K) until snug against glass (J). *Be careful not to overtighten.*



(Figure 4)

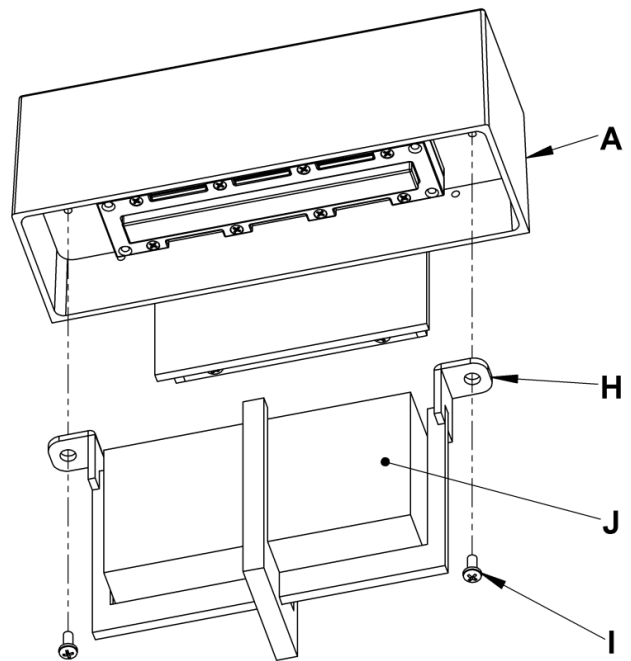
(continued)

## To Complete Installation (Figure 5)

### Component Parts

- A Fixture Assembly
- H Decorative Assembly
- I Black Screws (2)
- J Glass

1. Hold decorative assembly (H) with glass (J) installed up to fixture assembly (A). Install two black screws (I) to secure decorative assembly (H).
2. Restore electricity at main breaker.



(Figure 5)

*If you need further assistance, or find that you are missing any parts, please contact the dealer from which you purchased this product. We hope you enjoy your fixture!*

\* Hubbardton Forge will not be liable for injury or damage caused by improper installation, lamping or use of this fixture.