

Installation Instructions

Oculus Sconce/Semi-flush 21-3310

B256

Page 1 of 3

CAUTION: FAILURE TO INSTALL THIS FIXTURE PROPERLY MAY RESULT IN SERIOUS PERSONAL INJURY OR DEATH AND PROPERTY DAMAGE. We recommend installation by a licensed electrician.

This product must be installed in accordance with applicable installation code(s), by a person familiar with the construction and operation of the product and the hazards involved.*

Caution: Do not exceed maximum wattage noted on fixture. Use only recommended bulbs with fixture.

Please Note: This fixture is designed to be mounted on a standard wall surface and may not be suitable for all applications. If installing in a non-wood frame application, we recommend consulting a qualified builder or electrician.

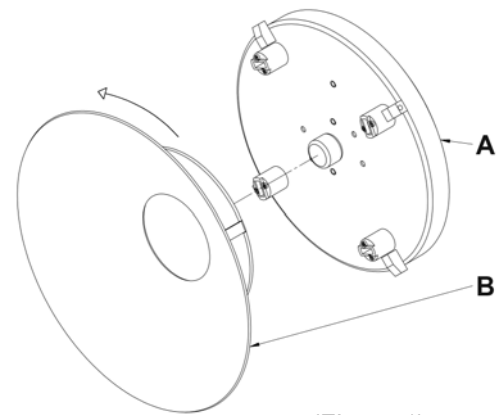
After installation extra hardware and accessories are possible; our kits are used on multiple products and options.

To Prepare Fixture (Figure 1)

Component Parts

- A Fixture
- B Forged Cone Assembly

1. Carefully unpack the fixture from the carton.
2. Spin forged cone assembly (B) counterclockwise until it separates from the fixture (A).
3. Set aside for later use.



(Figure 1)

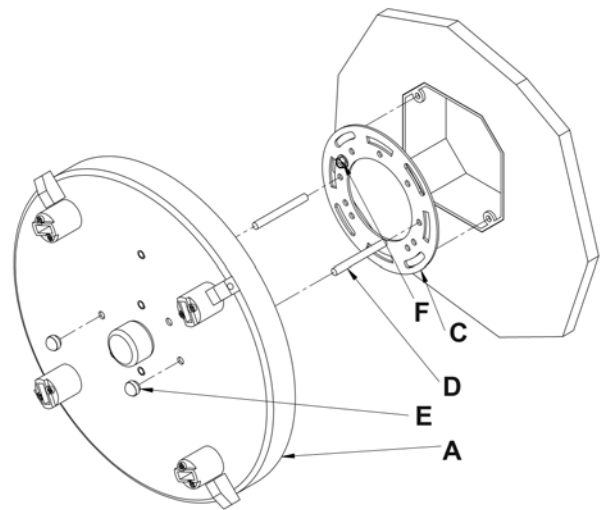
To Mount Fixture to Wall (Figure 2)

Component Parts

- A Fixture
- C Crossbar
- D Threaded Stud (2)
- E Knurled Ball (2)
- F Ground Screw

Caution: Be sure power is off at the main breaker box prior to installation.

1. Using two machine screws (not provided), fasten the crossbar (C) to the electric box making sure that fixture mounting holes are level. **Note:** A new electric box comes with screws. When replacing a fixture, retain the existing screws for use with the new fixture.
2. Thread studs (D) into the appropriate holes in the crossbar (C). Adjust the studs to proper length to ensure the fixture will fit snugly to the wall.
3. Hold the fixture (A) close to the wall and using suitable wire connectors, not provided, connect fixture wires to supply (white to white or ribbed and black to black or smooth). Run a pigtail lead from crossbar ground screw (F) to the junction box and connect all ground wires (bare copper or green to bare copper or green). **Caution:** Make sure wire connectors are twisted on securely, and no bare wire is exposed.
4. Slide fixture (A) over threaded studs (D) and push firmly to wall, making sure that no wires are pinched between fixture and wall. Fasten with knurled balls (E). Be sure threaded studs (D) are fully seated in the knurled balls (E).
5. See instructions following to complete installation.



(Figure 2)

(continued)

Installation Instructions

Oculus Sconce/Semi-flush 21-3310

B256

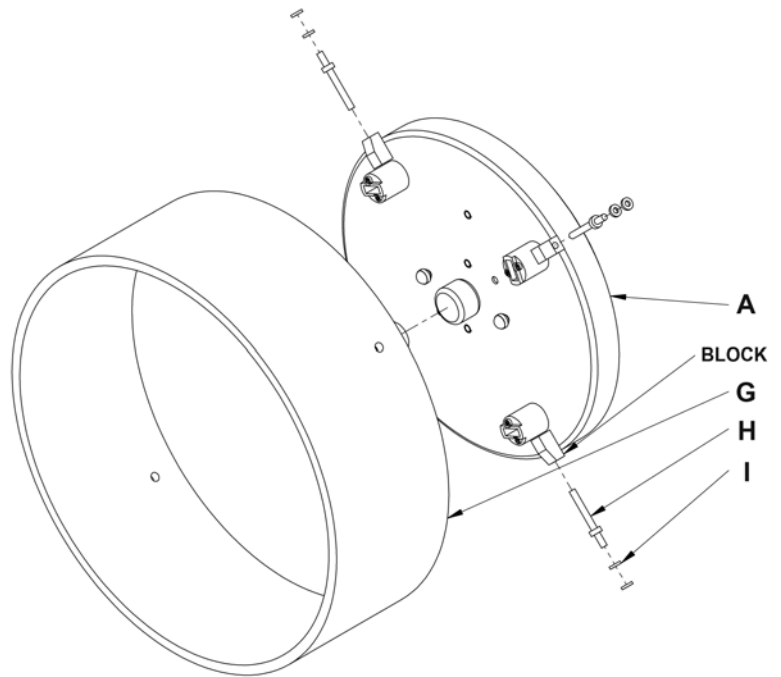
Page 2 of 3

To Install Glass (Figure 3)

Component Parts

- A Fixture
- G Glass
- H Threaded Stud (4)
- I Rubber Washer (8)

1. Install 2 rubber washers (I) onto each threaded stud (H) and thread the threaded studs (H) into the blocks on the fixture (A). Be sure to screw the studs (H) in far enough so the glass will slip over.
2. Place glass (G) onto fixture (A). Line up holes in glass (G) with threaded studs (H).
3. Thread the threaded studs (H) out evenly until the rubber washers (I) fit snug against the glass. Be sure not to over tighten.



(Figure 3)

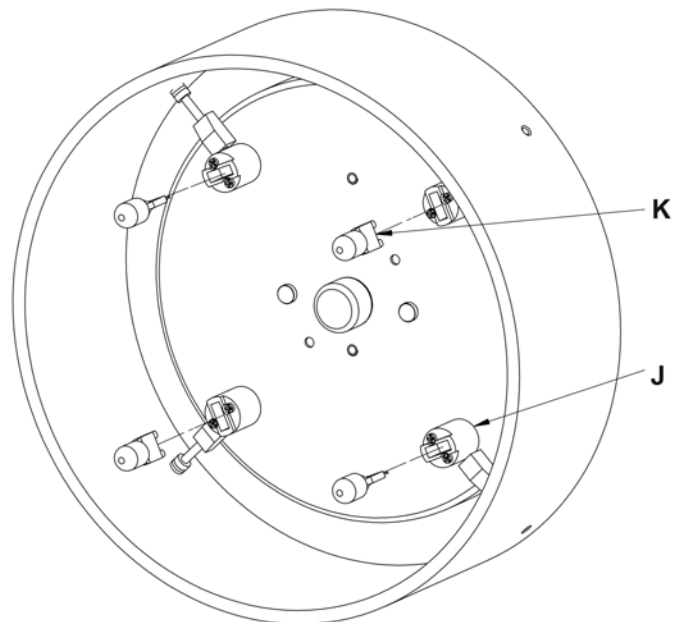
To Install Bulb (Figure 4)

Component Parts

- J Socket
- K Bulb (Included)

1. Install light bulbs (K) into sockets (J). *Be careful not to touch bulb with bare hands; oil from the hands will dramatically reduce bulb life.*

Note: The bulb included is based on our design preference; see the fixtures wattage sticker for Max wattage information.



(Figure 4)

(continued)

Installation Instructions

Oculus Sconce/Semi-flush 21-3310

B256

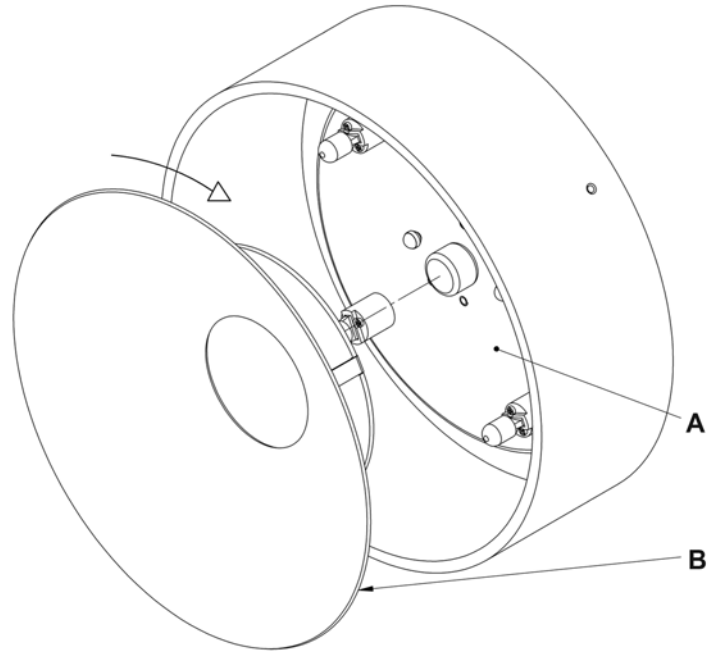
Page 3 of 3

To Prepare Fixture (Figure 5)

Component Parts

- A Fixture
- B Forged Cone Assembly

1. Spin forged cone assembly (B) clockwise until it is snug against the fixture (A).
2. Restore electricity at main breaker.



(Figure 5)

If you need further assistance, or find that you are missing any parts, please contact the dealer from which you purchased this product. We hope you enjoy your fixture!

* Hubbardton Forge will not be liable for injury or damage caused by improper installation, lamping or use of this fixture.