

# Assembly & Installation Instructions

**B342**

Henry Swing Arm Sconce 209320

Page 1 of 2

**CAUTION: FAILURE TO INSTALL THIS FIXTURE PROPERLY MAY RESULT IN SERIOUS PERSONAL INJURY OR DEATH AND PROPERTY DAMAGE. We recommend installation by a licensed electrician.**

This product must be installed in accordance with applicable installation code(s), by a person familiar with the construction and operation of the product and the hazards involved.\*

**Caution:** Do not exceed maximum wattage noted on fixture. Use only recommended bulbs with fixture.

**Please Note:** This fixture is designed to be mounted on a standard wall surface and may not be suitable for all applications. If installing in a non-wood frame application, we recommend consulting a qualified builder or electrician.

**Please Note:** After installation, extra hardware and accessories may be left due to kits being used on multiple products.

## To Prepare & Install Fixture (Figure 1)

### Component Parts

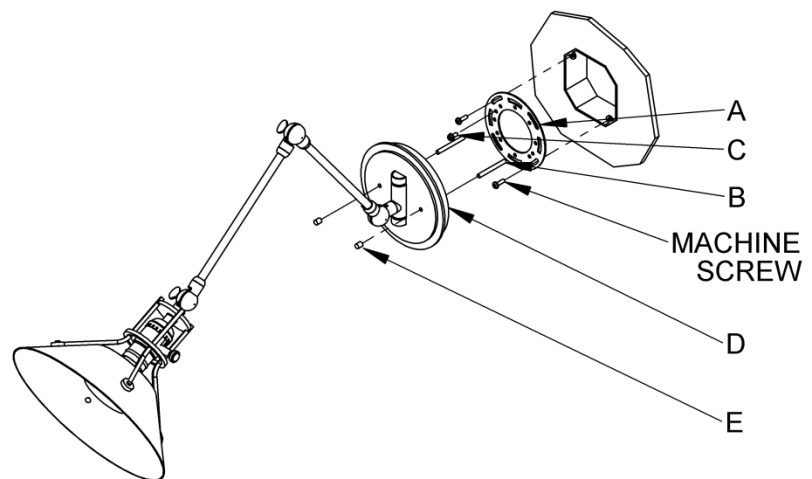
- |   |                   |   |                 |
|---|-------------------|---|-----------------|
| A | Crossbar          | D | Fixture         |
| B | Threaded Stud (2) | E | Barrel Nuts (2) |
| C | Ground Screw      |   |                 |

**Caution: Be sure power is off at the main breaker box prior to installation.**

1. Carefully unpack the fixture from the carton.
2. Thread the wires in the electrical box through the hole in the crossbar (A) while moving the crossbar into position. Using (2) #8 machine screws (Not provided), attach the crossbar securely to the junction box.

**Note:** A new electric box comes with screws. When replacing an existing fixture, retain screws for use with the new fixture

3. Thread studs (B) into the appropriate holes in the crossbar (A). Adjust the studs to proper length to ensure the fixture (D) will fit snugly to the wall.
4. Hold the fixture (D) close to the crossbar (A) and using suitable wire connectors (not provided) connect fixture wires to supply wires (white to white and black to black).
5. Secure a pigtail lead to crossbar (A) using green ground screw (C). Using suitable wire connector (not provided) connect fixture ground wire and pigtail lead to ground wire(s) from electrical box (bare copper or green to bare copper or green).  
**Caution:** Make sure wire connectors are twisted on securely, and no bare wires are exposed.
6. Carefully tuck all wires behind the fixture (D) and inside the crossbar (A).
7. Align holes in fixture (D) with threaded studs (B). Install (2) Barrel Nuts (E) and hand tighten to threaded studs to secure fixture (D) to wall. (Figure 1)
8. Install bulb in socket.
9. Restore Electricity at main breaker.



(Figure 1)

(continued)

## **Adjusting the Toothed Hinges** (Figure 2)

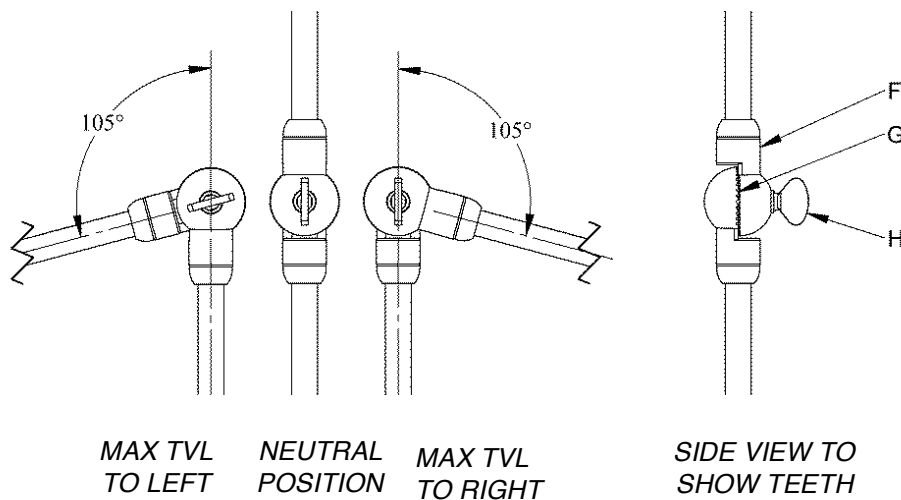
### Component Part

- F Adjustable Hinge
- G Teeth
- H Thumbscrew

This fixture is supplied with 3 adjustable hinges. Each adjustable hinge (F) has internal teeth (G) and a thumbscrew (H) lock. To adjust fixture, loosen the thumbscrew (H) 2 turns while supporting the weight of the fixture. Set the hinge (F) in the desired position, making sure to engage the teeth of one side of the hinge with the teeth of the other side. Hand tighten thumbscrew (H) to lock hinge. From a neutral position the hinges have an adjustment range of 105 degrees maximum in either direction. (Figure 2)

### **WARNINGS:**

1. **Do not attempt to adjust a fixture hinge without first unlocking the thumbscrew.**
2. **Hand-tighten the thumbscrew to secure, do not overtighten. Do not use pliers.**
3. **Do not exceed the maximum angular setting of the hinge.**
4. **Tighten all hinges before adjusting the swivel.**



(Figure 2)

*If you need further assistance, or find that you are missing any parts, please contact the dealer from which you purchased this product. We hope you enjoy your fixture!*

\* Hubbardton Forge will not be liable for injury or damage caused by improper installation, lamping or use of this fixture.