

Installation Instructions

B360

207903 Otto Small Sphere Sconce

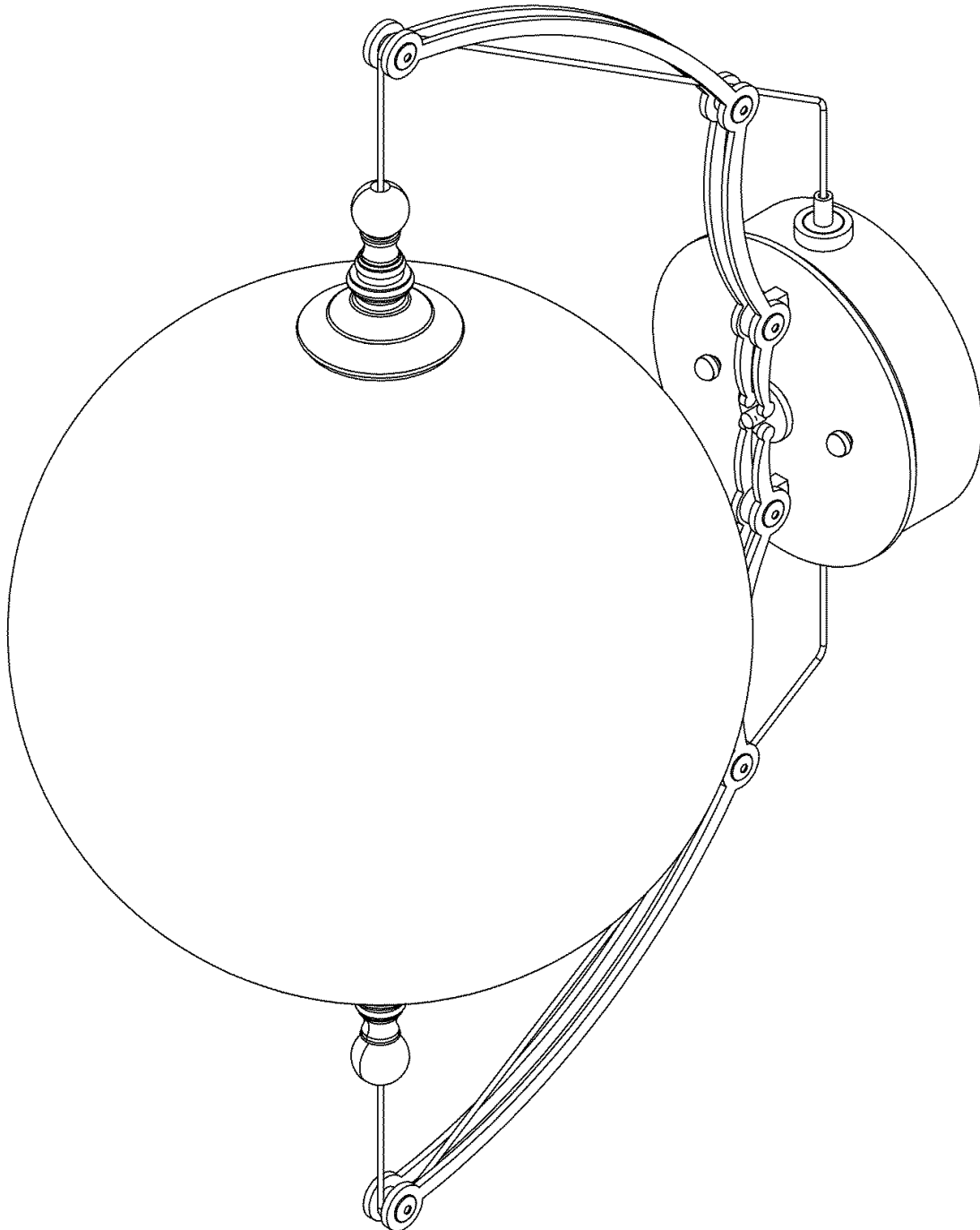
Page 1 of 5

CAUTION: FAILURE TO INSTALL THIS FIXTURE PROPERLY MAY RESULT IN SERIOUS PERSONAL INJURY OR DEATH AND PROPERTY DAMAGE. We recommend installation by a licensed electrician.

This product must be installed in accordance with applicable installation code(s), by a person familiar with the construction and operation of the product and the hazards involved.*

Caution: Do not exceed maximum wattage noted on fixture. Use only recommended bulbs with fixture.

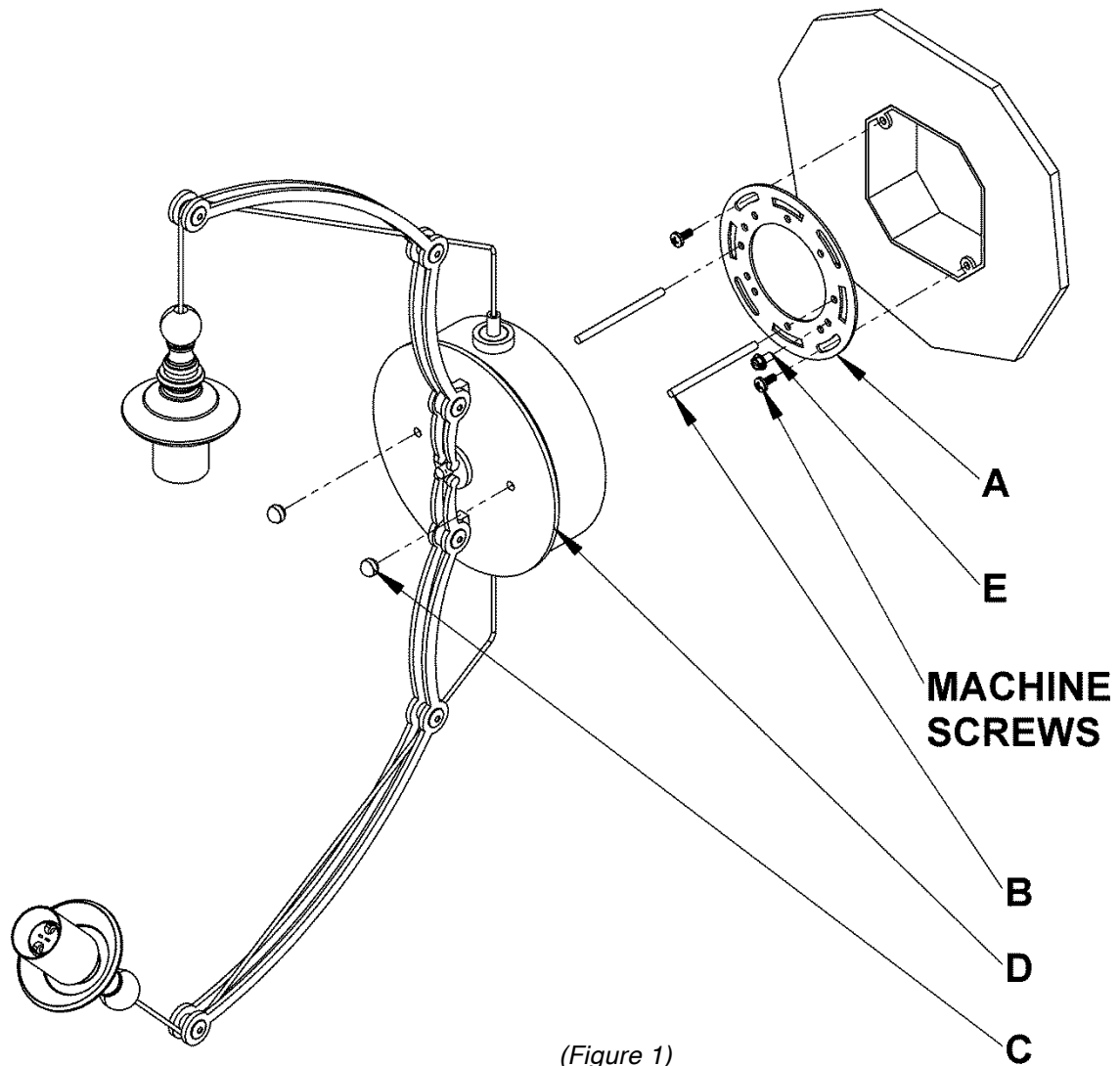
Please Note: This fixture is designed to be mounted on a standard wall surface and may not be suitable for all applications. If installing in a non-wood frame application, we recommend consulting a qualified builder or electrician.



Component Parts

A	Crossbar
B	Threaded Studs (2)
C	Knurled Balls (2)
D	Fixture Assembly
E	Ground Screw
F	Bulb (Not Included)
G	Glass Tube
H	Mesh Tube
I	Glass Globe

To Mount Fixture to Wall (Figure 1)



(Figure 1)

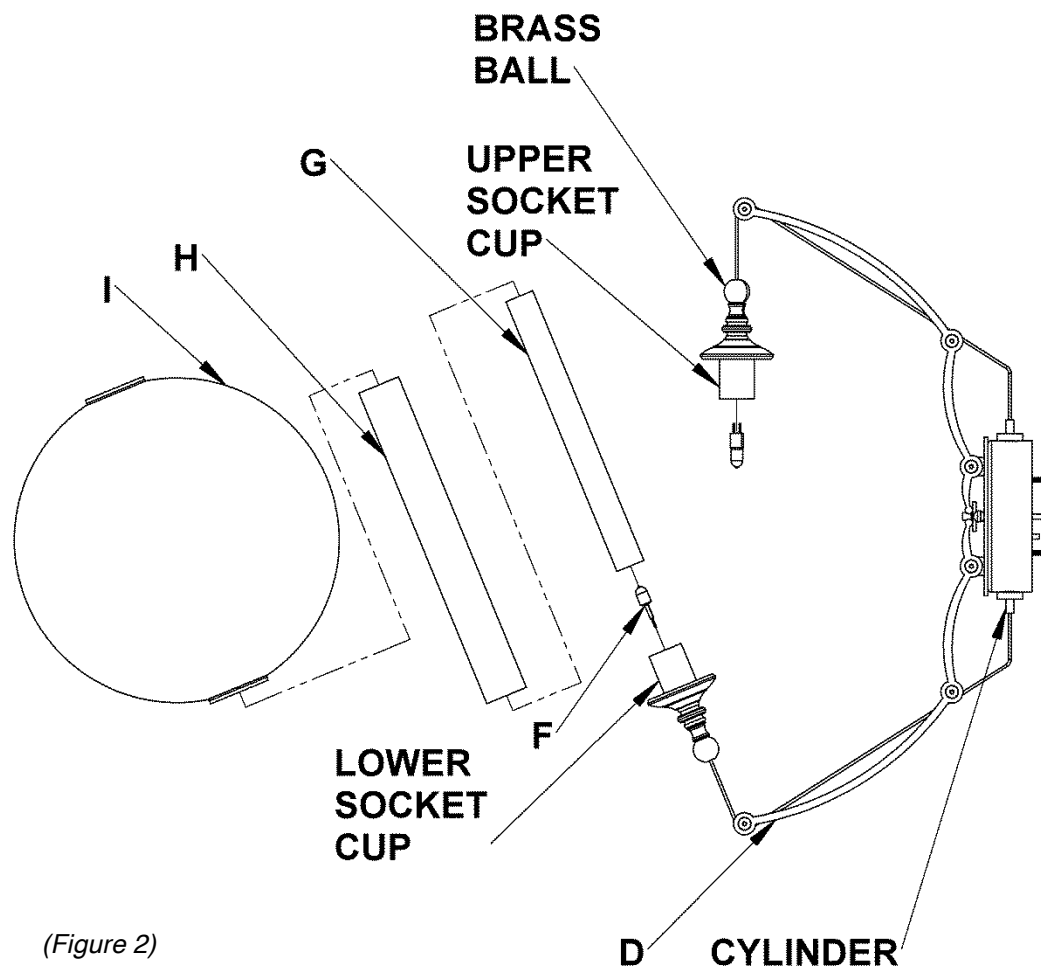
Caution: Be sure power is off at the main breaker box prior to installation.

1. Carefully unpack the fixture from the carton.
2. Using two machine screws (not provided), fasten the crossbar (A) to the electric box making sure the fixture mounting holes are level.
Note: A new electric box comes with machine screws. When replacing a fixture, retain the existing screws for use with the new fixture.
3. Threaded studs (B) are shipped with knurled balls (C) installed. Remove balls (C) from studs (B) and retain for later use.
4. Thread studs (B) into the appropriate holes in the crossbar (A) to align with fixture assembly (D).
5. Hold the fixture assembly (D) close to the wall and using suitable wire connectors, not provided, connect fixture wires to supply (white to white and black to black). Attach a pigtail lead to the crossbar ground screw (E). Connect all ground wires (bare copper or green to bare copper or green).

Caution: Make sure wire connectors are twisted on securely, and no bare wire is exposed.

- Slide fixture assembly (D) over threaded studs (B) and push firmly to wall, making sure that no wires are pinched between fixture back and wall. Fasten with knurled balls (C). Be sure threaded studs (B) are fully seated in the knurled balls (C).
- See instructions on next page to complete installation.

To Complete Installation (Figure 2)



(Figure 2)

- Install bulbs (not included).
- Guide cable for lower socket cup to sit centered between arms. Screw glass tube (G) onto lower socket cup until it stops.
- While holding the glass tube (G) at an upward angle, slide the mesh tube (H) over the glass tube.
- Keeping the upward angle, slide the glass globe (I) over the mesh tube (H) until the mesh tube (H) travels through the openings at both ends of the glass globe (I)
- Guide cable for upper socket cup to be centered between arms. Screw upper socket cup into the exposed end of glass tube (G) until it stops.

Installation Instructions

207903 Otto Small Sphere Sconce

B360

Page 5 of 5

Note: Screw in the socket cup by holding onto the brass ball.

Note: To orient the seam in the mesh tube, lift the glass globe by holding the brass balls on each end. While tension is relieved in the cable, rotate the entire globe until the mesh tube is oriented in the desired position.

6. Push cable into grippers until cables are taut and glass (G) is centered in fixture (D).

Note: To release cable from grippers depress the cylinder and gently pull cable out as far as necessary.

7. Restore electricity at main breaker.

If you need further assistance, or find that you are missing any parts, please contact the dealer from which you purchased this product. We hope you enjoy your fixture!

* Hubbardton Forge will not be liable for injury or damage caused by improper installation, lamping or use of this fixture.