

Installation Instructions

For Otto Sconce 207901

B344

Page 1 of 3

CAUTION: FAILURE TO INSTALL THIS FIXTURE PROPERLY MAY RESULT IN SERIOUS PERSONAL INJURY OR DEATH AND PROPERTY DAMAGE. We recommend installation by a licensed electrician.

This product must be installed in accordance with applicable installation code(s), by a person familiar with the construction and operation of the product and the hazards involved.*

Caution: Do not exceed maximum wattage noted on fixture. Use only recommended bulbs with fixture.

Please Note: This fixture is designed to be mounted on a standard wall surface and may not be suitable for all applications. If installing in a non-wood frame application, we recommend consulting a qualified builder or electrician.

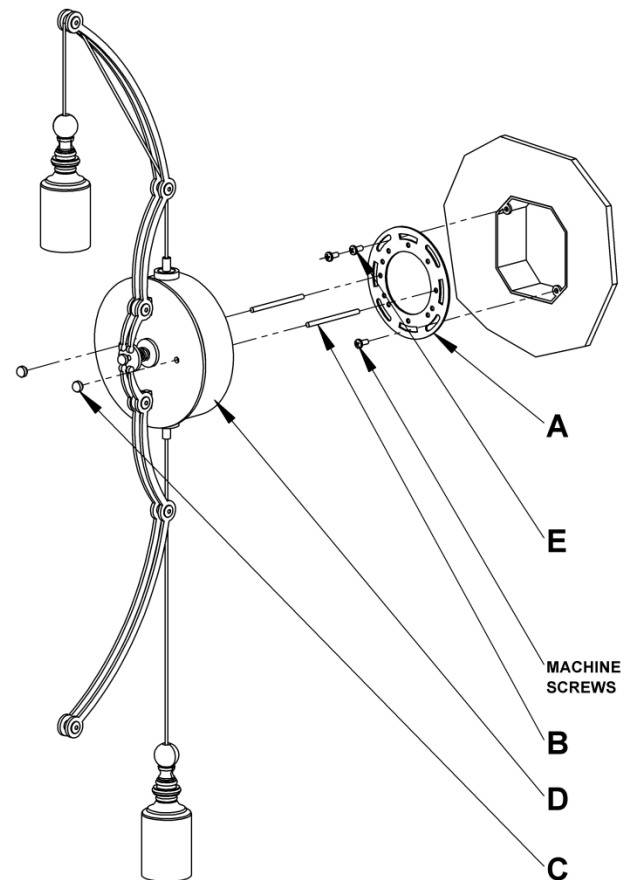
To Mount Fixture to Wall (Figure 1)

Component Parts

- A Crossbar
- B Threaded Stud (2)
- C Knurled Balls (2)
- D Fixture Assembly
- E Ground Screw

Caution: Be sure power is off at the main breaker box prior to installation.

1. Carefully unpack the fixture from the carton.
2. Using two machine screws (not provided), fasten the crossbar (A) to the electric box making sure that fixture mounting holes are level.
Note: A new electric box comes with machine screws. When replacing a fixture, retain the existing screws for use with the new fixture.
3. Threaded studs (B) are shipped with knurled balls (C) installed. Remove balls (C) from studs (B) and retain for later use.
4. Thread studs (B) into the appropriate holes in the crossbar (A). Adjust the studs to proper length to ensure the fixture (D) will fit snugly to the wall.
5. Hold the fixture assembly (D) close to the wall and using suitable wire connectors, not provided, connect fixture wires to supply (white to white and black to black). Run a pigtail lead from crossbar ground screw (E) to the junction box and connect all ground wires (bare copper or green to bare copper or green).
Caution: Make sure wire connectors are twisted on securely, and no bare wire is exposed.
6. Slide fixture assembly (D) over threaded studs (B) and push firmly to wall, making sure that no wires are pinched between fixture back and wall. Fasten with knurled balls (C). Be sure threaded studs (B) are fully seated in the knurled balls (C).
7. See instructions on next page to complete installation.



(Figure 1)

Installation Instructions

For Otto Sconce 207901

B344

Page 2 of 3

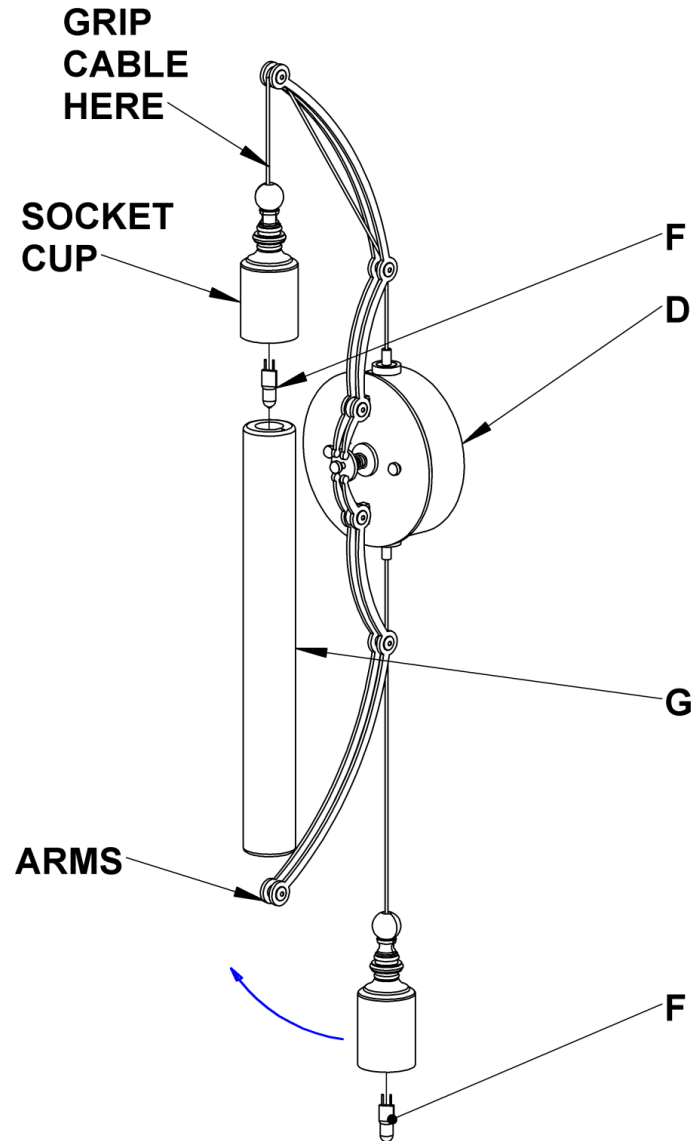
(continued)

To Complete Installation (Figures 2 & 3)

Component Parts

- D Fixture Assembly
- F Bulb
- G Glass

1. Install bulbs (not included). (Figure 2)
2. Guide cable for upper socket cup to hang centered between arms. Screw glass (G) into upper socket cup. Screw glass (G) in until it stops and then unscrew one turn. If glass (G) is bottomed out in fixture the glass may become crooked. It may be necessary to grip the cable close to the cup to prevent cable from twisting while screwing in the glass (G).
3. Lift lower socket cup, guiding cable to be centered between arms and screw into glass (G). Screw glass (G) in until it stops and then unscrew one turn. If glass (G) is bottomed out in fixture the glass may become crooked. Grip cable as necessary to prevent twisting.
4. Glass (G) will not be centered in fixture (D) at this time. (Figure 3)
5. Flex arms away from wall, placing tension on spring.
6. Push cable into grippers until cables are taut and glass (G) is centered in fixture (D).
7. Restore electricity at main breaker.



(Figure 2)

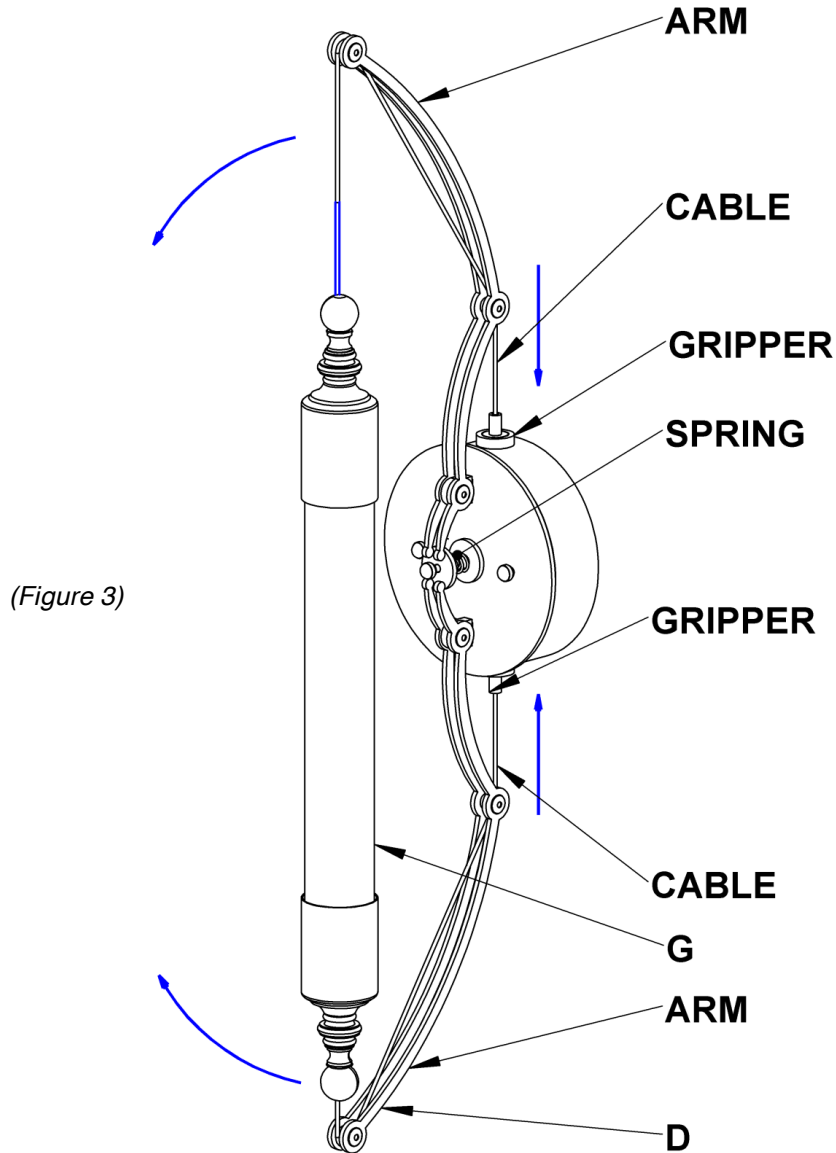
Installation Instructions

For Otto Sconce 207901

B344

Page 3 of 3

(continued)



If you need further assistance, or find that you are missing any parts, please contact the dealer from which you purchased this product. We hope you enjoy your fixture!

* Hubbardton Forge will not be liable for injury or damage caused by improper installation, lamping or use of this fixture.