

Installation Instructions

Airis Sconce 20-6450

B289

Page 1 of 3

CAUTION: FAILURE TO INSTALL THIS FIXTURE PROPERLY MAY RESULT IN SERIOUS PERSONAL INJURY OR DEATH AND PROPERTY DAMAGE. We recommend installation by a licensed electrician.

This product must be installed in accordance with applicable installation code(s), by a person familiar with the construction and operation of the product and the hazards involved.*

Caution: Do not exceed maximum wattage noted on fixture. Use only recommended bulbs with fixture.

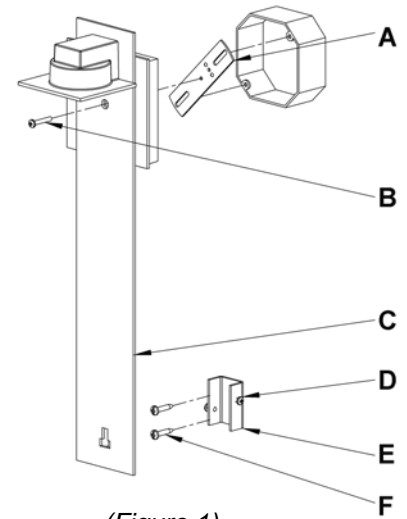
To Install Fixture (Figures 1 & 2)

Component Parts

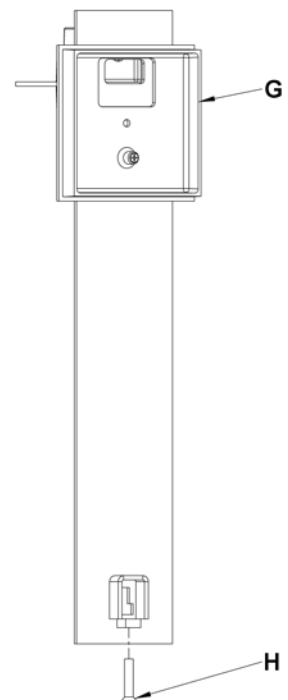
- | | | | |
|---|-----------------------|---|---------------------|
| A | Crossbar | F | #10 x 1" Screws (2) |
| B | 8-32 x 1" Screw | G | Fixture Back |
| C | Fixture | H | Screw |
| D | 8-32 x 3/8" Screw (2) | | |
| E | Mounting Bracket | | |

Caution: Be sure power is off at the main breaker box prior to installation.

- Carefully unpack the fixture from the carton.
- Using two machine screws (not provided) attach crossbar (A) to the electric box. **Note:** A new electric box comes with screws. When replacing a fixture, retain the screws for use with the new fixture.
- From center hole of crossbar measure down 13-3/16" and mark location for first hole for wall mounting bracket (E). Be sure hole location is vertical to center hole of crossbar (A).
- Hold mounting bracket (E) so hole matches location marked previously and mark bottom hole location.
- Attach mounting bracket (E) using #10 x 1" screws (F).
- Loosen screws (D) so they do not protrude through edge of mounting bracket (E) at this time. **Note:** Screws are shipped installed in bracket.
- Install screw (H) in tab on bottom of fixture (C). Screw should only be installed a couple of turns at this time (Figure 2).
- Using suitable wire connectors (not provided), connect the fixture wires to the supply wires, (white to white, white to black, bare copper or green to bare copper or green).
Caution: Make sure wire connectors are twisted on securely and no bare wires are exposed.
- Carefully tuck all wires behind the fixture (G), align bottom of fixture with mounting bracket (E), place fixture firmly against the wall and fasten with 8-32 x 1" screw (B).
- Tighten screw (D) on both sides of mounting bracket (E) until snug against fixture.
- Install light bulb (not provided).
- See installation instructions below for option purchased.



(Figure 1)



(Figure 2)

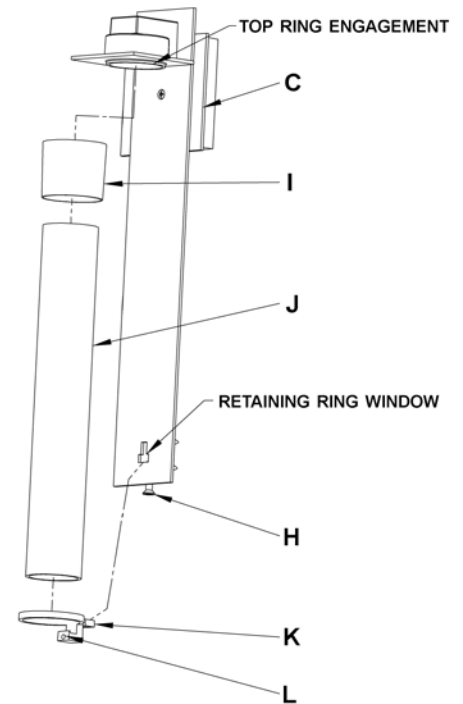
(continued)

To Install Glass or Mesh Tube Option (Figure 3)

Component Parts

- C Fixture
- H Screw
- I Top Ring
- J Glass or Mesh Tube
- K Retaining Ring (two types are supplied; round one is used for glass/mesh tube)
- L Set Screw

1. Slip top ring (I) over top of glass/mesh tube (J).
2. Raise both pieces so the top ring (I) engages with the upper area of the fixture (C).
3. Slip retaining ring (K) onto bottom of glass/mesh tube (J) and insert tab through the window area of the fixture (C).
4. Tighten screw (H) to raise retaining ring (K) until it is tight against bottom of glass/mesh tube (J). It may be necessary to adjust the set screw (L) while tightening the brass screw (H) to level. *Be careful not to over tighten.*



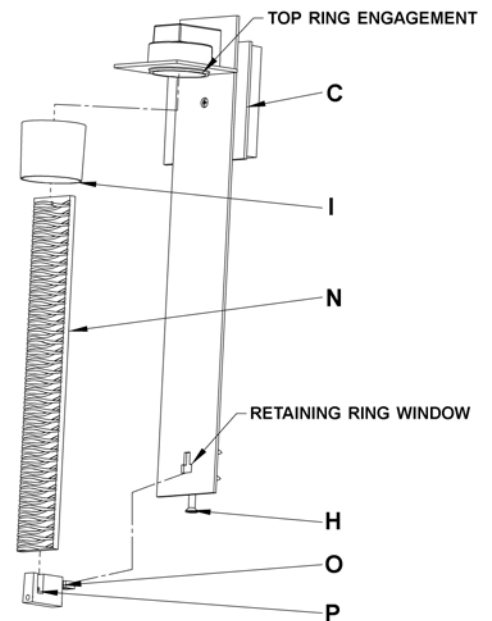
(Figure 3)

To Install Aluminum Plate Option (Figure 4)

Component Parts

- C Fixture
- H Screw
- I Top Ring
- N Aluminum Plate
- O Retainer (two types are supplied; flat one is used for plate)
- P Retainer Set Screw

1. Install aluminum plate (N) into slot of retainer (O).
2. Make sure aluminum plate (O) is centered with retainer and tighten set screw (P) from back.
3. Slip aluminum plate (N) inside top ring (I) so it rests as far to the back as it can.
4. Raise both pieces so the top ring (I) engages with the upper area of the fixture (C).
5. Insert retainer (O) through the window area of the fixture (C).
6. Tighten screw (H) to raise retainer (O) until top ring (I) is tight. *Be careful not to over tighten.*



(Figure 4)

(continued)

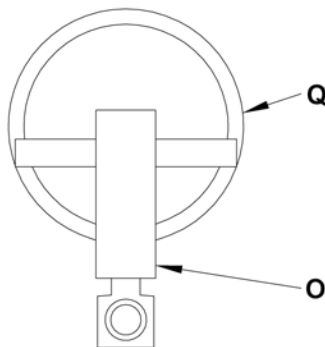
To Install Forged Plate Option (Figure 5)

Component Parts

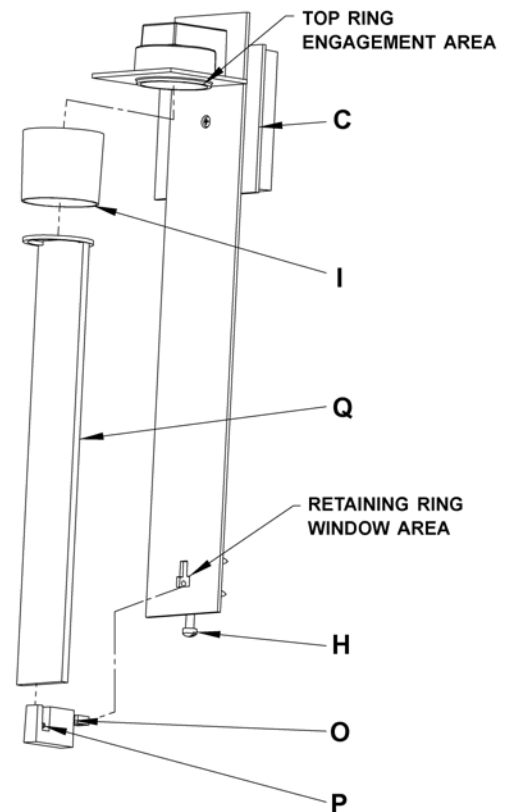
- C Fixture
- H Screw
- I Top Ring
- O Retainer (two types are supplied; flat one is used for plate)
- P Retainer Set Screw
- Q Forged Plate Assembly

Note: Forged plate is for indoor use only.

1. Install forged plate assembly (Q) into slot of retainer (O). See Figure 6 for correct orientation of plate.
2. Make sure forged plate assembly (O) is centered with retainer and tighten set screw (P) from back.
3. Slip ring at the top for the forged plate assembly (Q) so it rests inside the top ring (I).
4. Raise both pieces so the top ring (I) engages with the upper area of the fixture (C).
5. Insert retainer (O) through the window area of the fixture (C).
6. Tighten screw (H) to raise retainer (O) until top ring (I) is tight. *Be careful not to over tighten.*



(Figure 6)



(Figure 5)

If you need further assistance, or find that you are missing any parts, please contact the dealer from which you purchased this product. We hope you enjoy your fixture!

* Hubbardton Forge will not be liable for injury or damage caused by improper installation, lamping or use of this fixture.