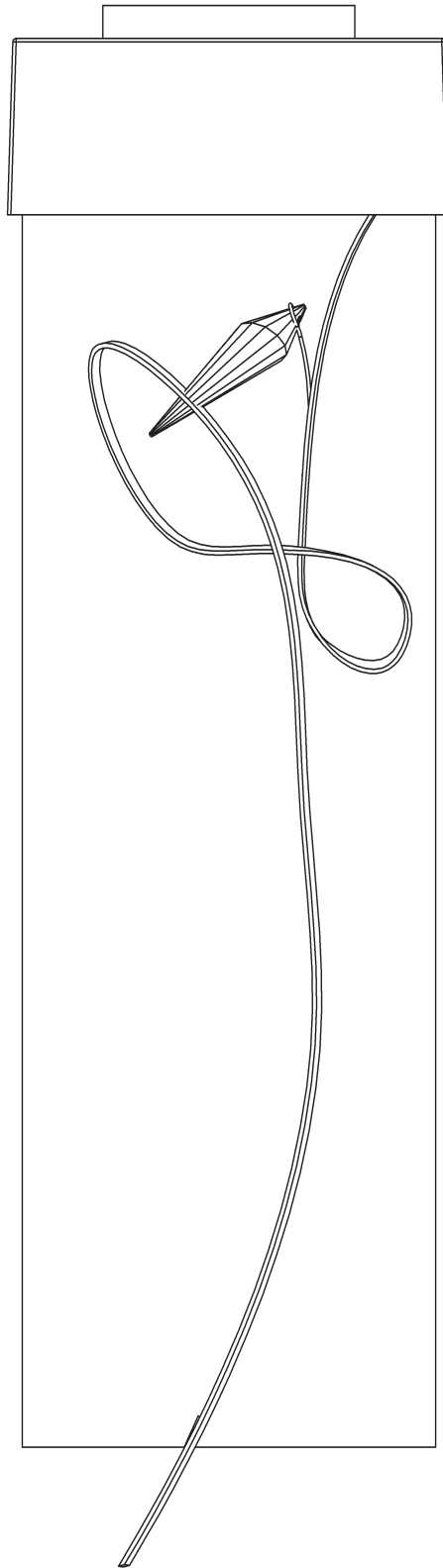


ASSEMBLY & INSTALLATION INSTRUCTIONS

B368

Rhapsody Sconce 205440



Component Parts

- A Fixture**
- B Mounting Bracket**
- C #8 Screws (4)**
- D Ground Screw**
- E Cupped Washer**
- F Decorative Assembly**
- G Decortive Assembly Screws (2)**
- H Spacer Assembly**
- I #10 Screws (2)**
- J Adjustment Screw**
- K Cone Crystal**
- L Decorative Element**
- M Spring Clip**



ASSEMBLY & INSTALLATION INSTRUCTIONS

B368

Rhapsody Sconce 205440

CAUTION: FAILURE TO INSTALL THIS FIXTURE PROPERLY MAY RESULT IN SERIOUS PERSONAL INJURY OR DEATH AND PROPERTY DAMAGE. We recommend installation by a licensed electrician. This product must be installed in accordance with applicable installation code(s), by a person familiar with the construction and operation of the product and the hazards involved.*

Caution: Do not exceed maximum wattage noted on fixture. Use only recommended bulbs with fixture.

Please Note: After installation extra hardware and accessories are possible due to our kits are used on multiple products and options.

To Attach to Wall (Figures 1 - 3)

CAUTION: BE SURE POWER IS OFF AT THE MAIN BREAKER BOX PRIOR TO INSTALLATION.

1. Carefully unpack the fixture from the carton.
2. Remove decorative assembly (F) from fixture (A) by removing the two decorative assembly screws (G), retain for later use. (Figure 1)

NOTE: DECORATIVE ASSEMBLY (F) IS SHIPPED INSTALLED.

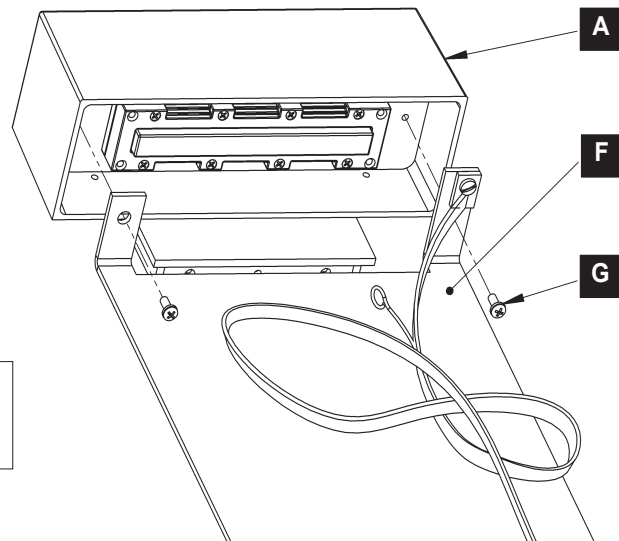
3. Using two machine screws (not provided) fasten the mounting bracket (B) to the electrical box.

NOTE: A NEW ELECTRIC BOX COMES WITH SCREWS. WHEN REPLACING AN EXISTING FIXTURE, RETAIN SCREWS FOR USE WITH THE NEW FIXTURE.

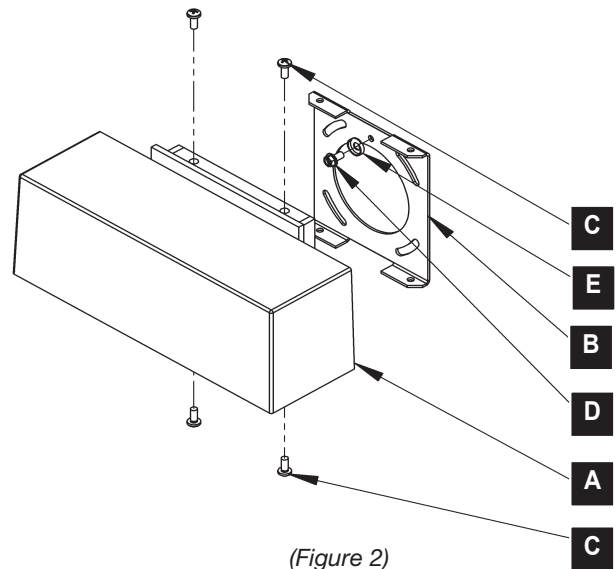
4. Ground the mounting bracket (B) using the green ground screw (D) and the cupped washer (E) found in the kit bag to secure a pigtail lead to the bracket. Hold the fixture (A) close to the mounting bracket (B) and using suitable wire connectors (not provided), connect fixture wires to supply wire (white to white and black to black). Connect all ground wires (bare copper or green to bare copper or green).

CAUTION: MAKE SURE WIRE CONNECTORS ARE TWISTED ON SECURELY AND NO BARE WIRE IS EXPOSED.

5. Carefully tuck all wires behind the fixture (A) and inside the mounting bracket (B). Place the fixture (A) firmly onto bracket (B) and fasten with two #8 screws (C) on top
6. Install the two remaining #8 screws (C) in bottom of fixture (A).



(Figure 1)



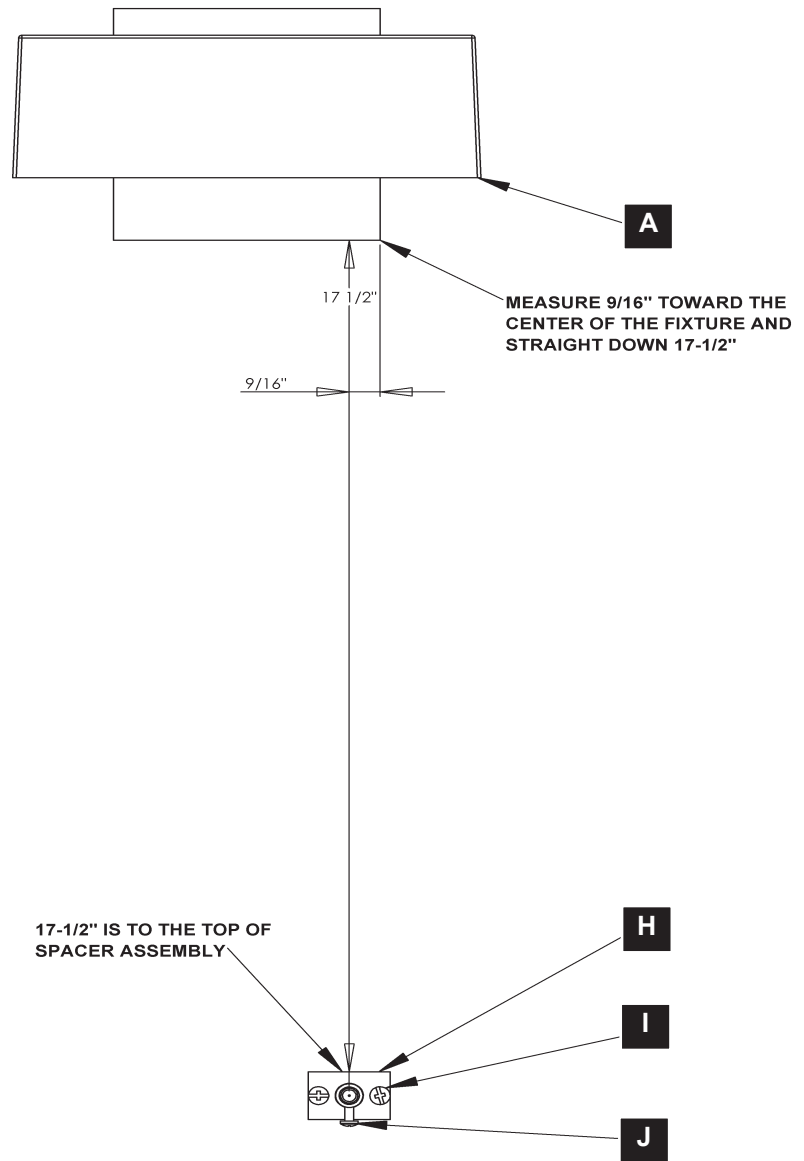
(Figure 2)

ASSEMBLY & INSTALLATION INSTRUCTIONS

B368

Rhapsody Sconce 205440

- Using the diagram in figure 3, place a mark on the wall to locate the spacer assembly (H).
- Hold spacer assembly (H) level on the wall and using two #10 screws (I) provided in the kit bag; fasten the spacer assembly (H) to the wall.
- Place decorative assembly (F) up into fixture assembly (A) while aligning standoff in decorative assembly (F) with spacer assembly (H) and re-install black screws (G). (Figures 1 & 3).
- If adjustment is needed to hold decorative assembly (F) plumb with wall, loosen adjustment screw (J), move decorative assembly (F) to desired position and retighten screw (J). (Figure 3)



(Figure 3)



HUBBARDTON FORGE.

MODERN AMERICAN BLACKSMITHS | FINE, HAND CRAFTED LIGHTING
CASTLETON, VERMONT USA | HUBBARDTONFORGE.COM

37483 Rev A

ASSEMBLY & INSTALLATION INSTRUCTIONS

B368

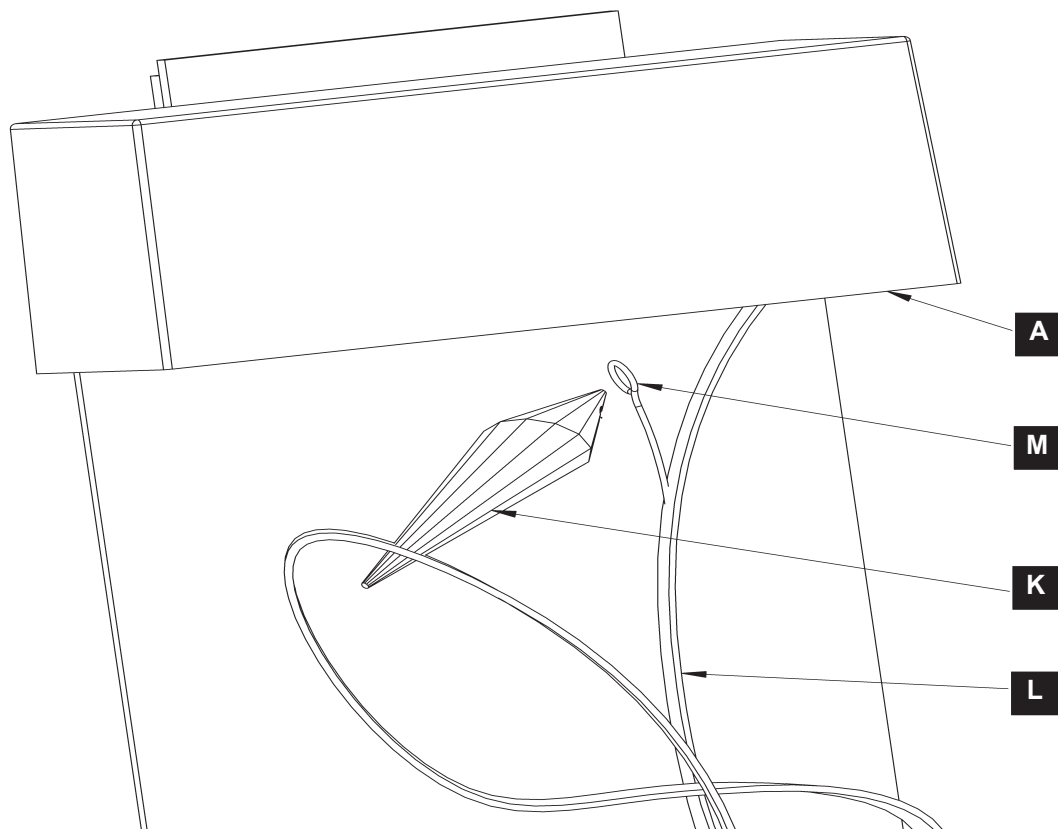
Rhapsody Sconce 205440

TO INSTALL CRYSTAL (Figure 4)

1. Locate the crystal (K) and white gloves.

Note: Using white gloves while handling the crystals (K) will prevent smudges.

2. Place longer end of cone crystal (K) into the hole in decorative element (L).
3. Flex spring clip (M) and bring the larger end of cone crystal (K) up to meet the clip. Crystal orientation shown in Figure 4.
4. Allow spring clip (M) to cradle the cone crystal (K) and release the spring clip (M) to securely hold the cone crystal (K).
5. If needed, use the provided white gloves to polish the crystal.
6. Restore electricity at the main breaker.



(Figure 4)

If you need further assistance, or find that you are missing any parts, please contact the dealer from which you purchased this product. We hope you enjoy your fixture!

*** Hubbardton Forge will not be liable for injury or damage caused by improper installation, lamping or use of this fixture.**