

Installation Instructions

For Constellation Sconce 20-4301

B200

Page 1 of 3

CAUTION: FAILURE TO INSTALL THIS FIXTURE PROPERLY MAY RESULT IN SERIOUS PERSONAL INJURY OR DEATH AND PROPERTY DAMAGE. We recommend installation by a licensed electrician.

This product must be installed in accordance with applicable installation code(s), by a person familiar with the construction and operation of the product and the hazards involved.*

Caution: Do not exceed maximum wattage noted on fixture. Use only recommended bulbs with fixture.

Please Note: This fixture is designed to be mounted on a standard wall surface and may not be suitable for all applications. If installing in a non-wood frame application, we recommend consulting a qualified builder or electrician.

After installation extra hardware and accessories are possible; our kits are used on multiple products and options.

To Mount Fixture to Wall with Single Box (Figure 1)

Component Parts

- A Crossbar
- B Threaded Stud
- C Barrel Knob
- D Fixture Assembly
- E Ground Screw
- F Cupped Washer

Caution: Be sure power is off at the main breaker box prior to installation.

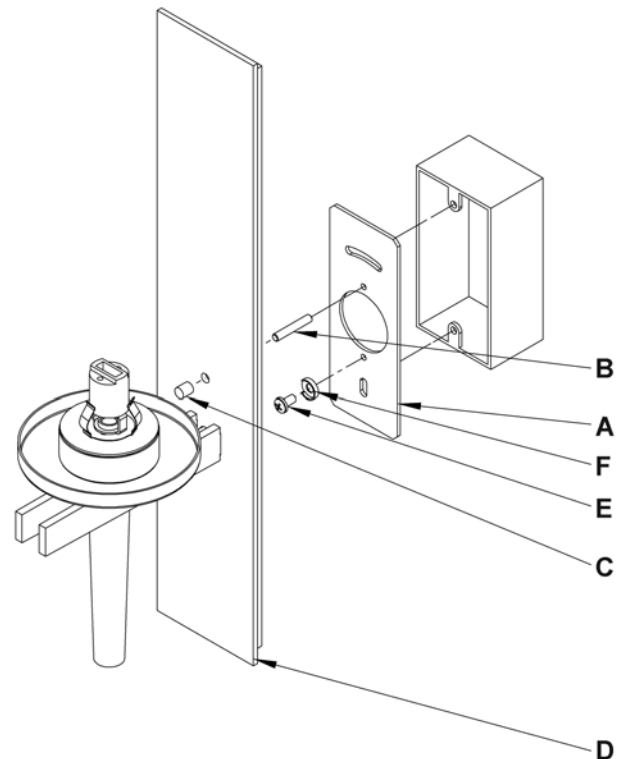
1. Carefully unpack the fixture from the carton.
2. Using two machine screws (not provided), fasten the crossbar (A) to the electric box making sure crossbar is level.

Note: A new electric box comes with screws. When replacing a fixture, retain the existing screws for use with the new fixture.

3. Thread stud (B) into the appropriate hole in the crossbar (A). Adjust the stud to proper length to ensure the fixture will fit snugly to the wall.
4. Hold the fixture assembly (D) close to the wall and using suitable wire connectors (not provided) connect fixture wires to supply (white to white or ribbed and black to black or smooth). Ground the crossbar (A) using the green ground screw (E) and cupped washer (F) to secure a pigtail lead to the bracket. .

Caution: Make sure wire connectors are twisted on securely, and no bare wire is exposed.

5. Slide fixture assembly (D) over threaded stud (B) and push firmly to wall, making sure that no wires are pinched between fixture back and wall. Fasten with barrel knob (C). Be sure threaded stud (B) is fully seated in the barrel knob (C).
6. See instructions following to install glass.



(Figure 1)

(continued)

Installation Instructions

For Constellation Sconce 20-4301

B200

Page 2 of 3

To Mount Fixture to Wall with Standard 4" Box (Figure 2)

Component Parts

- A Crossbar
- B Threaded Stud
- C Barrel Knob
- D Fixture Assembly
- E Ground Screw
- G Wall Bracket
- H 8-32 x 3/8" Screw

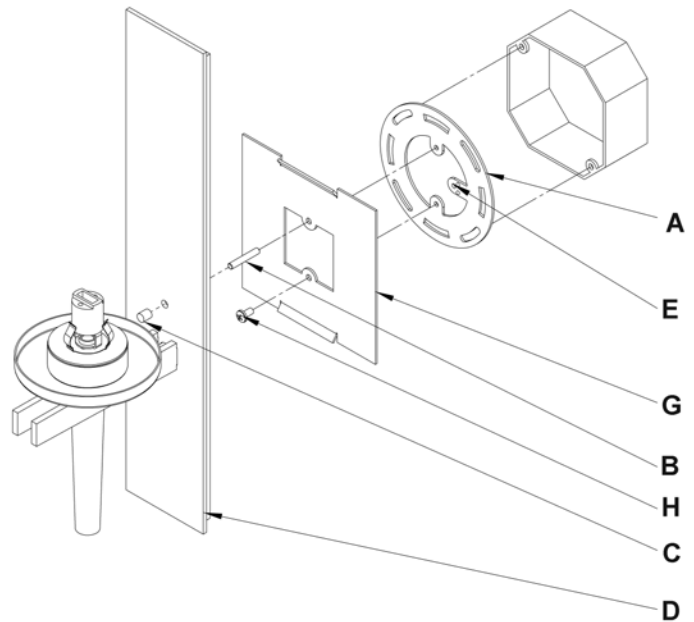
Caution: Be sure power is off at the main breaker box prior to installation.

1. Carefully unpack the fixture from the carton.
2. Using two machine screws (not provided), fasten the crossbar (A) to the electric box making sure crossbar is level.
Note: A new electric box comes with screws. When replacing a fixture, retain the existing screws for use with the new fixture.
3. Thread stud (B) into the appropriate hole in the crossbar (A). Adjust the stud to proper length to ensure the fixture will fit snugly to the wall.

4. Attach wall bracket (G) using 8-32 x 3/8" screw (H). Threaded stud installed in crossbar will pass through wall bracket.
5. Hold the fixture assembly (D) close to the wall and using suitable wire connectors, not provided, connect fixture wires to supply (white to white or ribbed and black to black or smooth). Ground the crossbar (A) using the green ground screw (E) to secure a pigtail lead to the bracket.

Caution: Make sure wire connectors are twisted on securely, and no bare wire is exposed.

6. Slide fixture assembly (D) over threaded stud (B) and push firmly to wall, making sure that no wires are pinched between fixture back and wall. Fasten with barrel knob (C). Be sure threaded stud (B) is fully seated in the barrel knob (C).
7. See instructions following to install glass.



(Figure 2)

Installation Instructions

For Constellation Sconce 20-4301

B200

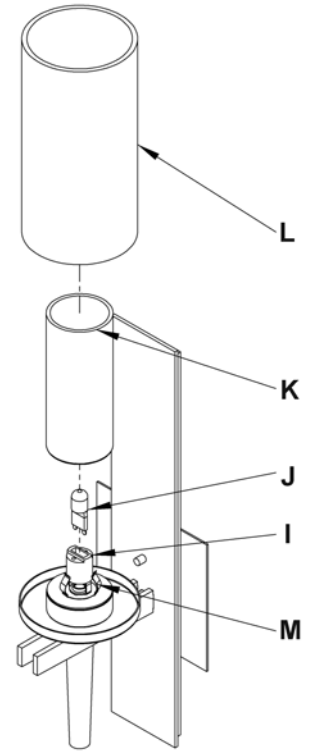
Page 3 of 3

To Install Glass (Figure3)

Component Parts

- I Socket
- J Bulb (Included)
- K Inner Glass
- L Outer Glass
- M Glass Spring Clip

1. Install light bulb (J). Be careful not to touch bulb with bare hands; oil from the hands will dramatically reduce bulb life.
2. Slip inner glass (K) over socket (I) until it engages with glass spring clip (M).
3. If glass has a loose fit the glass spring clip (M) can be adjusted by taking a pair of needle nose pliers and bending the three prongs outward.
4. Install outer glass (L).
5. Restore electricity at main breaker.



(Figure 3)

If you need further assistance, or find that you are missing any parts, please contact the dealer from which you purchased this product. We hope you enjoy your fixture!

* Hubbardton Forge will not be liable for injury or damage caused by improper installation, lamping or use of this fixture.