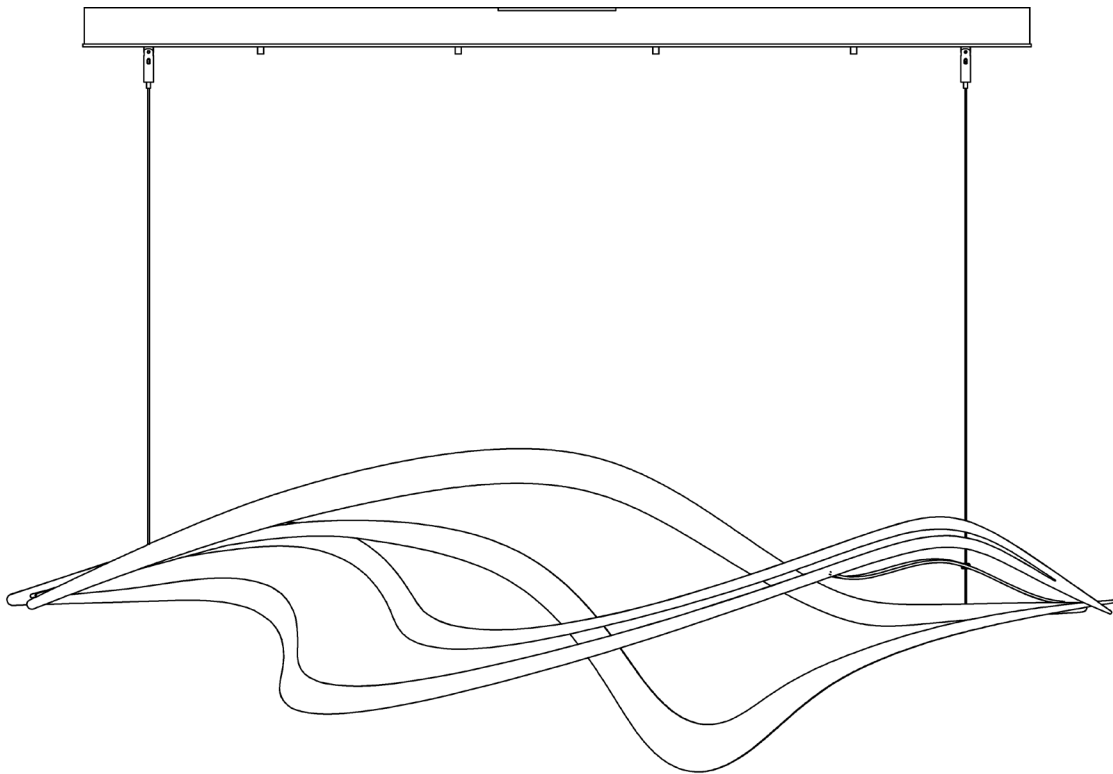


ASSEMBLY & INSTALLATION INSTRUCTIONS

139905 Crossing Waves Pendant

A554



Component Parts

- A Canopy**
- B Knobs (4)**
- C Canopy Cover Plate**
- D Anchors**
- E #10 Screws**
- F Electrical Box Cover**
- G #8 Screw**
- H Fixture**
- I Supply/Supply Cables (2)**
- J Grippers (2)**

ASSEMBLY & INSTALLATION INSTRUCTIONS

A554

139905 Crossing Waves Pendant

CAUTION: FAILURE TO INSTALL THIS FIXTURE PROPERLY MAY RESULT IN SERIOUS PERSONAL INJURY OR DEATH AND PROPERTY DAMAGE. We recommend installation by a licensed electrician. This product must be installed in accordance with applicable installation code(s), by a person familiar with the construction and operation of the product and the hazards involved.*

Caution: Do not exceed maximum wattage noted on fixture. Use only recommended bulbs with fixture.

Please Note: After installation extra hardware and accessories are possible; our kits are used on multiple products.

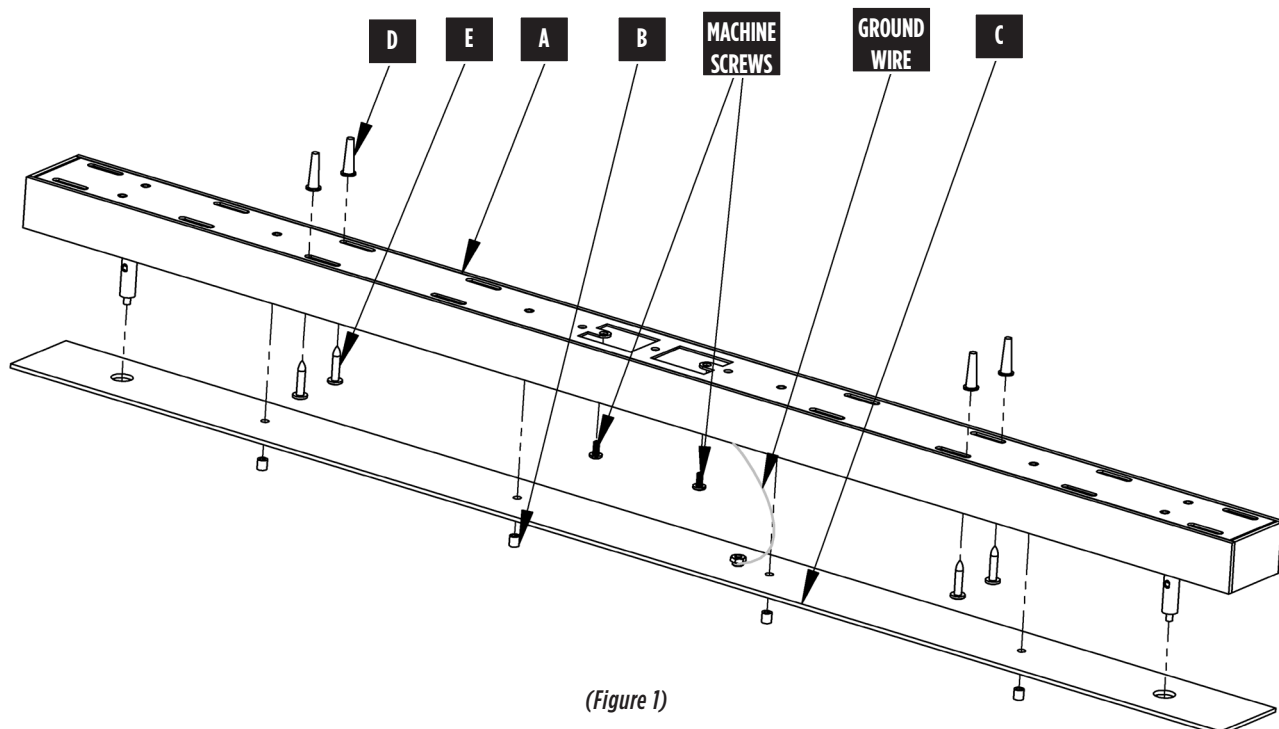
To Install To Single Box (Figure 1)

CAUTION: BE SURE POWER IS OFF AT THE MAIN BREAKER BOX PRIOR TO INSTALLATION.

1. Carefully unpack canopy (A) from the carton.
2. Unscrew knobs (B) from canopy (A). Remove canopy cover plate (C). Set knobs and canopy cover plate aside for later use.
3. Center canopy (A) over the electric box. With a pencil, mark the location of desired mounting positions on the ceiling. Set canopy aside.
4. Drill 1/4" holes in the locations marked on the ceiling. For holes using anchors (D), place the tapered end of the anchor into the hole and gently tap flush to the ceiling using a light weight hammer.
5. Thread the wires in the electrical box through the hole in the canopy (A) while moving the canopy into position. Using two machine screws (not provided) fasten canopy (A) to the electric box.

Note: A new electric box comes with screws. When replacing a fixture, retain the existing screws for use with the new fixture.

6. Using #10 screws (E), screw the canopy (A) to the ceiling. Be careful not to over-tighten or strip the anchors (D).
7. Follow instructions on page 5 to complete installation.



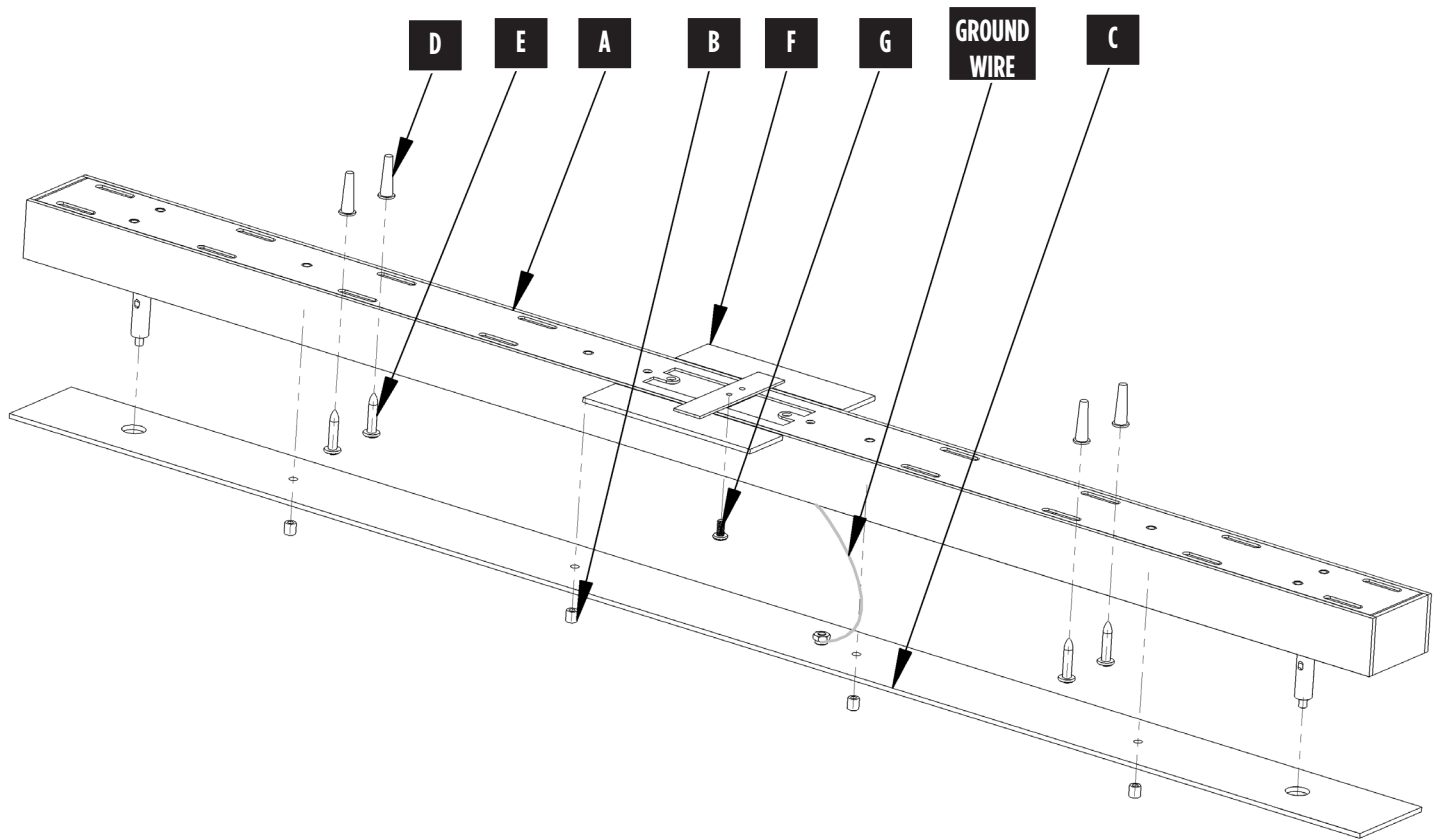
(Figure 1)

CONTINUED

To Install To 4 Inch Box (Figure 2)

CAUTION: BE SURE POWER IS OFF AT THE MAIN BREAKER BOX PRIOR TO INSTALLATION.

1. Carefully unpack canopy (A) from the carton.
2. Unscrew knobs (B) from canopy (A). Remove canopy cover plate (C). Set knobs and canopy cover plate aside for later use.
3. Attach electric box cover (F) to canopy (A) using a #8 screw (G).
4. Center canopy (A) over the electric box. With a pencil, mark the location of desired mounting positions on the ceiling. Set canopy aside.
5. Drill 1/4" holes in the locations marked on the ceiling. For holes using anchors (D), place the tapered end of the anchor into the hole and gently tap flush to the ceiling using a light weight hammer.
6. Thread the wires in the electrical box through the hole in the canopy (A) while moving the canopy into position.
7. Using #10 screws (E), screw the canopy (A) to the ceiling. Be careful not to over-tighten or strip the anchors (D).
8. Follow instructions on the next page to complete intallation.



(Figure 2)

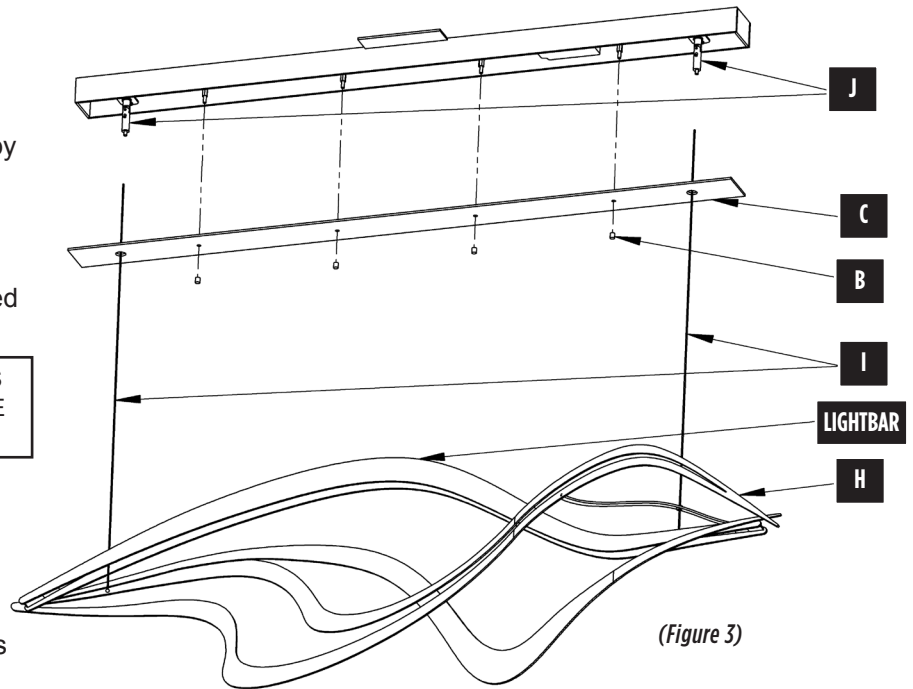
CONTINUED

To Complete Installation (Figure 3)

1. Using suitable wire connectors (not provided), connect fixture wires to supply wires (white to white and black to black).
2. Hold canopy cover plate (C) close to canopy (A) and connect all ground wires (bare copper or green to bare copper or green).
3. Secure canopy cover plate (C) to canopy (A) using knobs (B) being sure that threaded studs are fully seated in knobs.

CAUTION: MAKE SURE WIRE CONNECTORS ARE TWISTED ON SECURELY, AND NO BARE WIRE IS EXPOSED.

4. Carefully remove fixture (H) from the carton by grabbing onto the lightbar from both sides. Do not lift by the forged elements. Do not remove velcro.
5. Align the positive (+) and negative (-) labels on fixture (H) with the positive (+) and negative (-) labels on grippers (J).
6. Push the support/supply cable (I) from the positive (+) side of the fixture (H) into the positive (+) gripper (J). Push the cable in far enough so that the cable exits the side of the gripper.
7. Repeat step 6 for the supply/support cable (I) on the negative side (-). The velcro on fixture can now be removed.
8. Adjust fixture (H) to desired height by pushing the supply/support cables (I) into the grippers (J).
9. If fixture (H) needs to be lowered, press in the plunger on the gripper (J) and pull the supply/support cables (I) out as much as needed.
10. Once the fixture (H) is at the desired height, cut the supply/support cables (I) as close to the notch in gripper (J) as possible.
Note: Once cables are cut the fixture can no longer be lowered.
11. Restore electricity to main breaker.



(Figure 3)

If you need further assistance, or find that you are missing any parts, please contact the dealer from which you purchased this product. We hope you enjoy your fixture!

*** Hubbardton Forge will not be liable for injury or damage caused by improper installation, lamping or use of this fixture.**