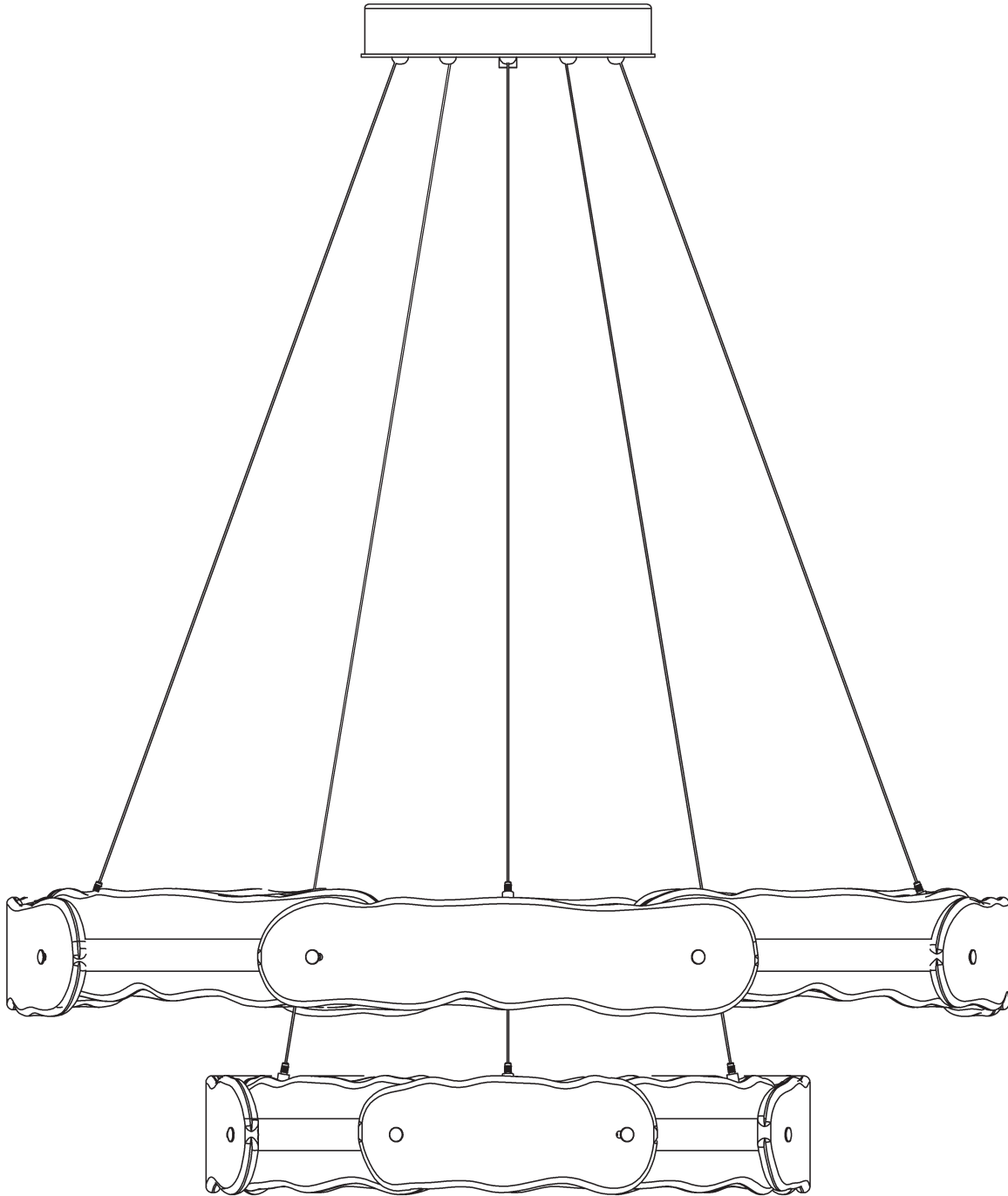


# ASSEMBLY & INSTALLATION INSTRUCTIONS

A522

2-Tier Solstice Pendant 139782



HUBBARDTON FORGE.

MODERN AMERICAN BLACKSMITHS | FINE, HAND CRAFTED LIGHTING  
CASTLETON, VERMONT USA | HUBBARDTONFORGE.COM

40274 Rev B

1 OF 7

**Component Parts**

- A      Supply/Support Cables (8)**
- B      Cap**
- C      Canopy Cover Plate**
- D      #8 Screws (4)**
- E      Gripper Plate**
- F      Canopy**
- G      Anchors (4)**
- H      #10 Screws (4)**
- I      Nut**
- J      Safety Cable**
- K      Small Fixture Ring**
- L      Gripper Lock**
- M      Gripper (8)**
- N      Large Fixture Ring**
- O      Threaded Rods (16)**
- P      Thumb Screws (32)**
- Q      Small Glass (8)**
- R      Shim (16)**
- S      Large Glass (8)**
- T      Foam Blocks**



**CAUTION: FAILURE TO INSTALL THIS FIXTURE PROPERLY MAY RESULT IN SERIOUS PERSONAL INJURY OR DEATH AND PROPERTY DAMAGE.** We recommend installation by a licensed electrician. This product must be installed in accordance with applicable installation code(s), by a person familiar with the construction and operation of the product and the hazards involved.\*

### Install Canopy (Figure 1 - on following page)

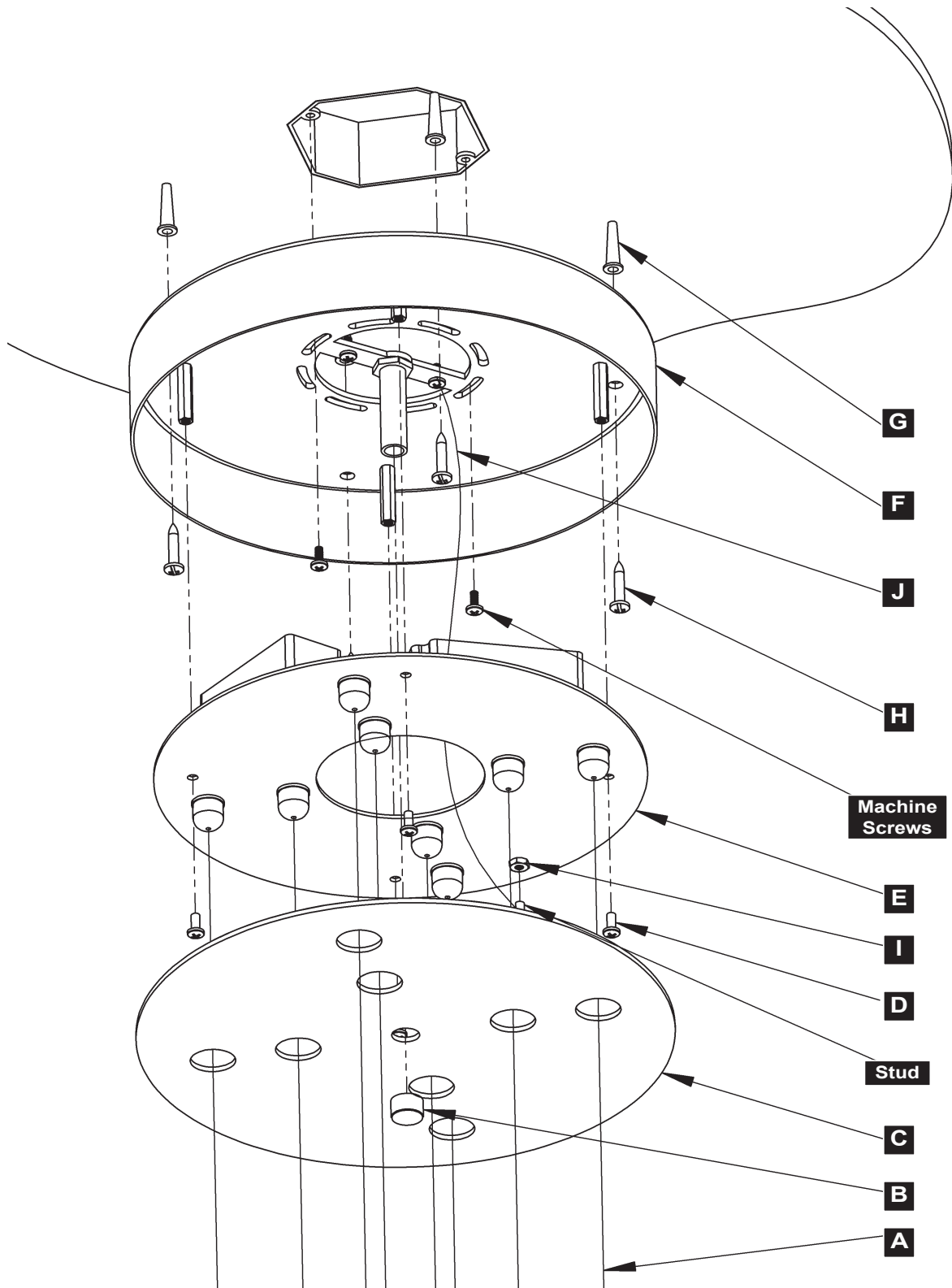
**CAUTION: BE SURE POWER IS OFF AT THE MAIN BREAKER BOX PRIOR TO INSTALLATION.**

1. Carefully unpack the fixture from the carton.
2. Locate canopy assembly. Uncoil all supply/support cables (A). Remove cap (B) and set aside for later use.
3. Unscrew four #8 screws (D) and remove the gripper plate (E) and set aside for later use.
4. Hold canopy (F) in position over the electric box, mark the location of the anchors (G) on the ceiling. Set canopy (F) aside.  
**Note:** Position the canopy so that the grippers are in line with the desired direction of your fixture.
5. Drill 1/4" holes in the locations marked on the ceiling. Place the tapered ends of the anchors (G) into the holes and gently tap them flush with a lightweight hammer.
6. Thread the wires in the electrical box through the hole in the canopy (F) while moving the canopy into position. Using two machine screws (not provided) fasten canopy (F) to the electric box.  
**Note:** A new electric box comes with screws. When replacing a fixture, retain the existing screws for use with the new fixture.
7. Thread #10 screws (H) through holes in canopy (F) and into anchors (G) to secure canopy (F) to the ceiling. Be sure not to overtighten and strip the anchors (G).  
**CAUTION: BE SURE NO WIRES ARE PINCHED BETWEEN THE CANOPY AND THE CEILING.**
8. While holding gripper plate (E) close to canopy (F), use suitable wire connectors (not provided) to connect driver wires to supply wires (white to white and black to black). Connect all ground wires (bare copper or green to bare copper or green) together.  
**CAUTION: MAKE SURE WIRE CONNECTORS ARE TWISTED ON SECURELY AND NO BARE WIRES ARE EXPOSED.**
9. Feed safety cable (J) through the center hole in gripper plate (E). Reattach gripper plate (E) to canopy (F) using four #8 screws (D).
10. Remove nut (I) from stud on canopy cover plate (C). Slide end of the safety cable (J) over the stud and reattach nut (I). The safety cable (J) also acts as the ground for the canopy cover plate (C).
11. Feed the supply/support cables (A) through appropriate holes in canopy cover plate (C), making sure that the (+) cables go through the (+) holes and the (-) cables go through the (-) holes.
12. Reinstall canopy cover plate (C) and secure in place with cap (B).
13. Follow instructions on the following page to complete installation.

# ASSEMBLY & INSTALLATION INSTRUCTIONS

A522

2-Tier Solstice Pendant 139782



(Figure 1)



HUBBARDTON FORGE.

MODERN AMERICAN BLACKSMITHS | FINE, HAND CRAFTED LIGHTING  
CASTLETON, VERMONT USA | HUBBARDTONFORGE.COM

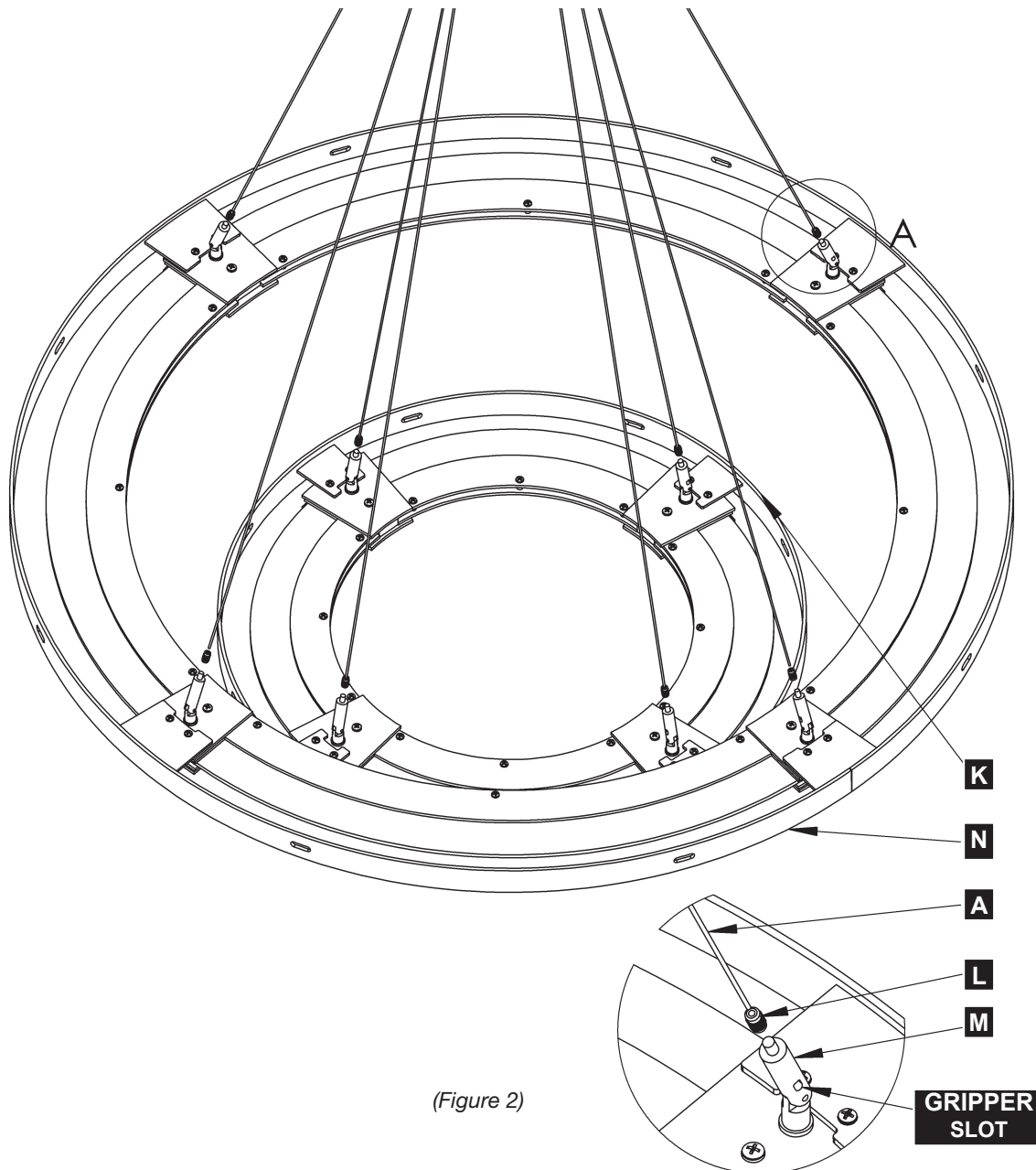
40274 Rev B

4 OF 7

2-Tier Solstice Pendant 139782

## Install Fixture *(Figure 2)*

1. Align (+) and (-) labels on the small fixture ring (K) with the (+) and (-) labels on canopy cover plate (C).
2. Slide gripper lock (L) onto supply/support cable (A).
3. Insert supply/support cable (A) through gripper (M) on small fixture ring (K) until cable sticks through slot in the side of gripper (M).
4. Repeat steps 2 & 3 for the remaining supply/support cables (A) of small fixture ring (K).
5. Repeat steps 1 - 4 for the large fixture ring (N).

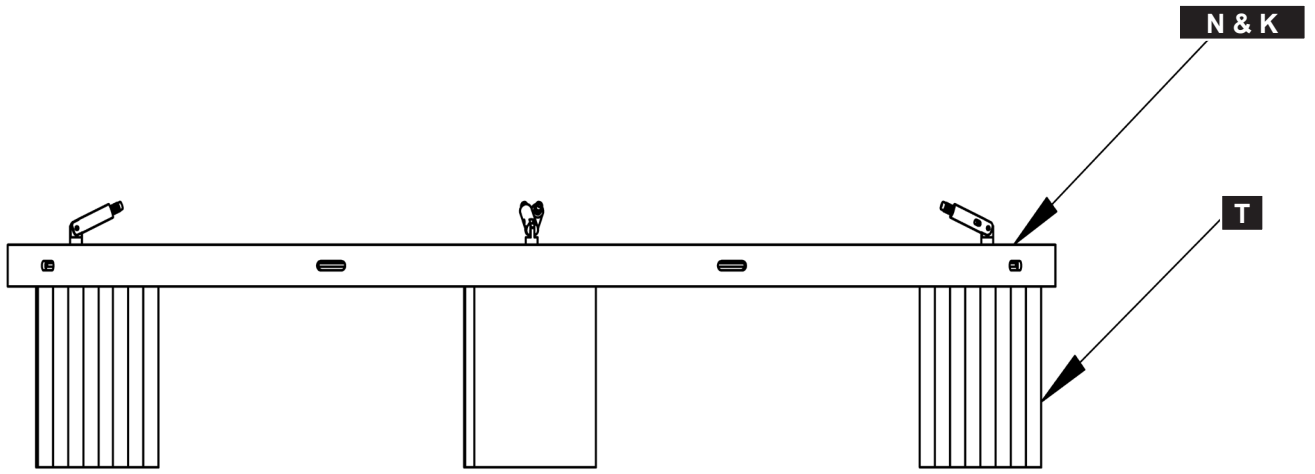


(Figure 2)

2-Tier Solstice Pendant 139782

**Prepare Fixture for Glass Installation** (Figure 2A)

1. Leaving cables (A) loose, use foam blocks (T) from packaging to set fixture rings (N) and (K) on.



(Figure 2A)

# ASSEMBLY & INSTALLATION INSTRUCTIONS

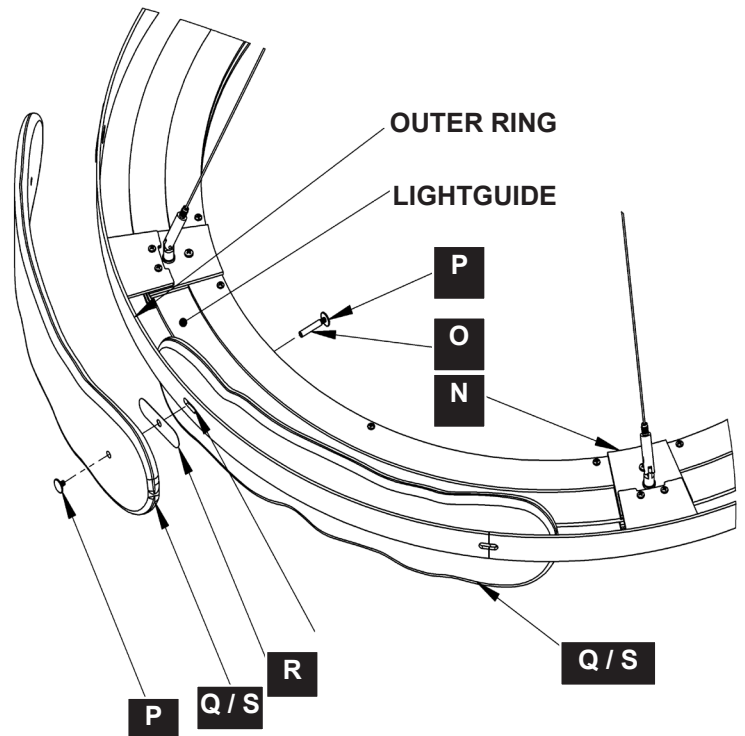
A522

2-Tier Solstice Pendant 139782

## To Install Glass (Figures 3 & 4)

1. (16) threaded rods (O) are shipped with (2) thumb screws (P) installed. Remove one thumb screw (P) from each threaded rod (O) and loosen second thumb screw (P) to expose half of threads.
2. Slide one piece of small glass (Q) between the outer ring and the light guide in the small fixture ring (K). Insert the threaded rod (O) with thumb screw (P) attached through the glass and slot in the outer ring.
3. Slide shim (R) over threaded rod (O) so black rubber rods press against outer ring.
4. Press second piece of small glass (Q) against shim (R) and secure in place with thumb screw but do not tighten completely (P).
5. Repeat steps 2 - 4 for remaining small glass (Q) on small fixture ring (K).
6. Repeat steps 2 - 5 for large fixture ring (K) and large glass (S).
7. It may be necessary to use a thin tool such as a screw driver to rotate shims so that they are aligned with the ring.
8. Tighten all thumb screws (P) completely.
9. Pull supply/support cables (A) through grippers (M) until desired fixture height is reached, making sure to keep the fixture level.  
NOTE: If the small fixture ring (K) or large fixture ring (N) need to be lowered, push down on top of gripper (M) to release supply/support cable (A).
10. Once desired height is reached, thread gripper lock (L) back onto gripper (M) and cut off excess supply/support cable (A) as close to gripper (M) as possible.
11. Restore electricity at the main breaker

**CAUTION:** Glass installation requires two people.



**CAUTION:** Be sure no part of the support cable is touching the fixture.

**CAUTION:** Once excess cable is cut, fixture cannot be lowered.

If you need further assistance, or find that you are missing any parts, please contact the dealer from which you purchased this product. We hope you enjoy your fixture!

\* **Hubbardton Forge will not be liable for injury or damage caused by improper installation, lamping or use of this fixture.**