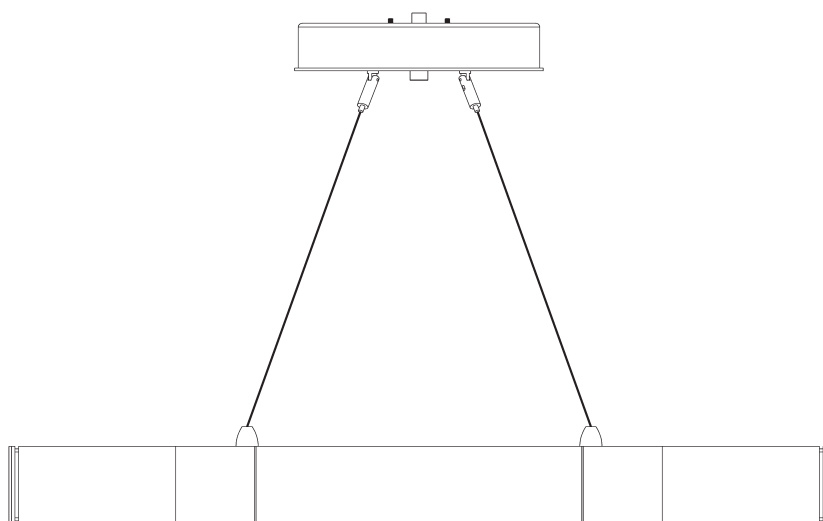


# Assembly & Installation Instructions

Aura Halogen Pendant 138589

A588



HUBBARDTON FORGE.

MODERN AMERICAN BLACKSMITHS | FINE, HAND CRAFTED LIGHTING  
CASTLETON, VERMONT USA | HUBBARDTONFORGE.COM

42985 Rev A

# Assembly & Installation Instructions

A588

Aura Halogen Pendant 138589

---

## Component Parts

<b>A</b>	<b>Canopy</b>
<b>B</b>	<b>Canopy Cover Plate</b>
<b>C</b>	<b>Cap</b>
<b>D</b>	<b>Nut</b>
<b>E</b>	<b>Nipple</b>
<b>F</b>	<b>Fixture</b>
<b>G</b>	<b>Gripper (4)</b>
<b>H</b>	<b>Supply/Support Cable (4)</b>
<b>I</b>	<b>Flat Head Screw (6)</b>
<b>J</b>	<b>Bulb Cover assembly (6)</b>
<b>K</b>	<b>Bulb (supplied) (12)</b>
<b>L</b>	<b>(Socket)(12)</b>
<b>M</b>	<b>Glass (6)</b>
<b>N</b>	<b>Lag Screws (4)</b>
<b>O</b>	<b>Safety Cable</b>
<b>P</b>	<b>8-32 Screw (2)</b>
<b>Q</b>	<b>Gripper Plate</b>

# Assembly & Installation Instructions

A588

## Aura Halogen Pendant 138589

**CAUTION: FAILURE TO INSTALL THIS FIXTURE PROPERLY MAY RESULT IN SERIOUS PERSONAL INJURY OR DEATH AND PROPERTY DAMAGE.** We recommend installation by a licensed electrician. This product must be installed in accordance with applicable installation code(s), by a person familiar with the construction and operation of the product and the hazards involved.\*

Caution: Do not exceed maximum wattage noted on fixture. Use only recommended bulbs with fixture.

Please Note: After installation extra hardware and accessories are possible due to our kits are used on multiple products and options.

### To Install Canopy (Figure 1)

**CAUTION: BE SURE POWER IS OFF AT THE MAIN BREAKER BOX PRIOR TO INSTALLATION.**

1. Carefully unpack the fixture from the carton.
2. Locate canopy assembly (A). Remove cap (C) and canopy cover plate (B) and set aside for use later.
3. Unscrew two #8 screws (P) and remove the gripper plate (Q) and set aside for later use.
4. Hold canopy (A) in position over the electric box, mark the location of the lag screw holes on the ceiling. Set canopy (A) aside.  
Note: Position the canopy so that the grippers are in line with the desired direction of your fixture.

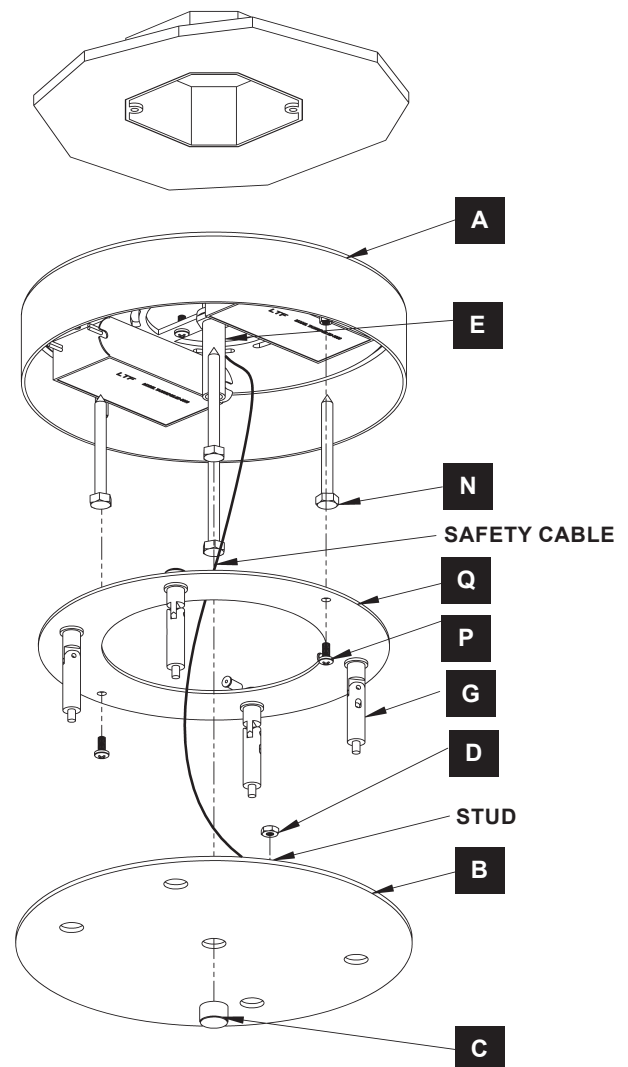
5. To attach canopy (A) directly to the junction box: Thread the wires in the electrical box through the hole in the canopy (A) while moving the canopy into position. Using two machine screws (not provided) fasten canopy (A) to the electric box. Do not rely on electrical box alone. Using at least two lag screws (N) attach canopy (A) to a structural member in the ceiling. Lag screws have been supplied with your fixture; however, different materials and/or construction methods may require different fasteners. If in doubt, contact a qualified electrician.

**Note:** A new electric box comes with screws. When replacing a fixture, retain the existing screws for use with the new fixture.

6. While holding gripper plate (Q) close to canopy (A), use suitable wire connectors (not provided) to connect driver wires to supply wires (white to white and black to black). Connect all ground wires (bare copper or green to bare copper or green) together.

**CAUTION: MAKE SURE WIRE CONNECTORS ARE TWISTED ON SECURELY, AND NO BARE WIRE IS EXPOSED.**

7. Feed safety cable (O) through the center hole in gripper plate (Q). Reattach gripper plate (Q) to canopy (A) using two #8 screws (P).



(Figure 1)

# Assembly & Installation Instructions

A588

## Aura Halogen Pendant 138589

- Remove nut (D) from stud on canopy cover plate (B). Slide end of the safety cable (O) over the stud and reattach nut (D). The safety cable (O) also acts as the ground for the canopy cover plate (B).
- Feed the supply/support cables (H) through appropriate holes in canopy cover plate (B), making sure that the (+) cables go through the (+) holes and the (-) cables go through the (-) holes.
- Reinstall canopy cover plate (B) and secure in place with cap (C).
- Follow instructions on the following page to complete installation.

### To Complete Installation (Figure 3)

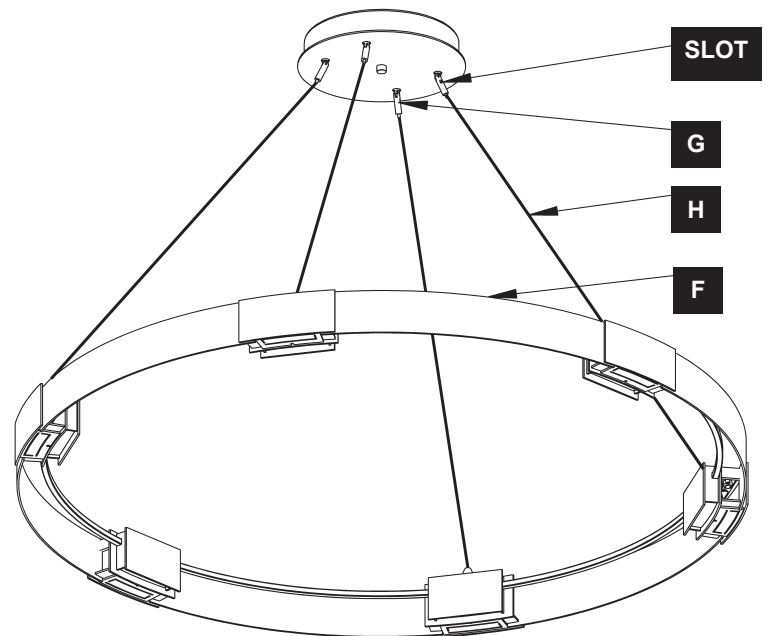
- Align (+) and (-) labels on fixture (F) with (+) and (-) labels on canopy.
- Insert cable (H) into gripper (G) until cable sticks through the slot in the side of the gripper (G).
- Repeat with remaining cables (H).
- Continue pulling cables (H) through grippers (G) until correct fixture height is achieved. Adjust height of fixture (F), making sure to keep fixture level.

**Note:** If fixture needs to be lowered, push down on top of the canopy gripper to release cable.

- Once desired height of the fixture (F) is achieved, cut off the excess cable (H) as close to the gripper (G) as possible.

**CAUTION:** ONCE EXCESS CABLE IS CUT, FIXTURE CANNOT BE LOWERED

**CAUTION:** BE SURE THAT NO PIECE OF THE SUPPORT CABLE IS TOUCHING THE FIXTURE



(Figure 2)

# Assembly & Installation Instructions

A588

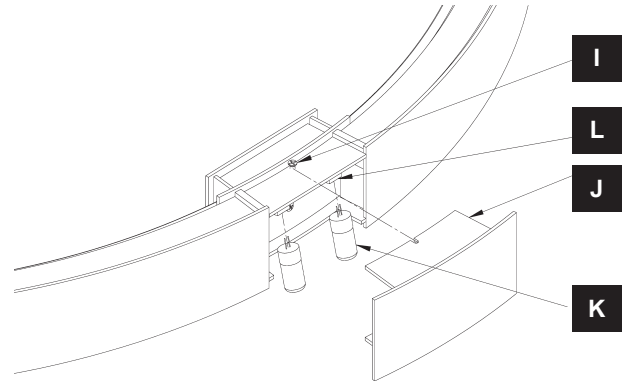
Aura Halogen Pendant 138589

## To Install Bulb & Glass

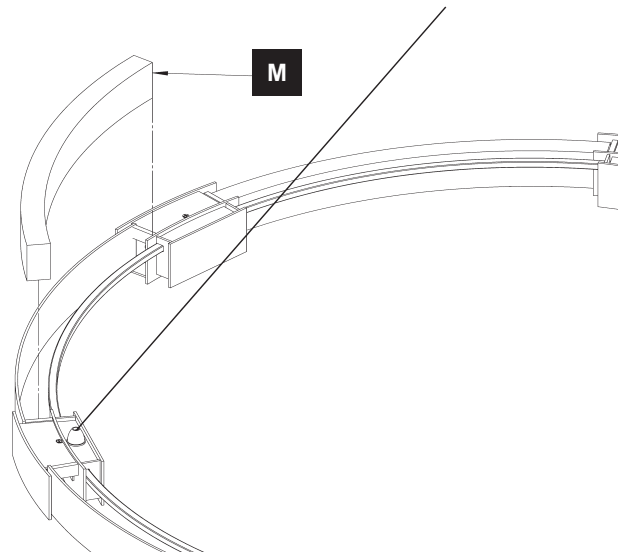
1. Loosen flat head screw (I) and slip bulb cover assembly (J) from fixture.
2. Install bulbs (K) (supplied).
3. Install bulb cover assembly (J) and tighten flat head screw (I).
4. Repeat steps for all six bulb locations.

Figure 4

5. Slip glass (M) into slots in fixture between bulb locations.
6. Repeat for all six locations.
7. Restore electricity at the main breaker.



(Figure 3)



(Figure 4)

If you need further assistance, or find that you are missing any parts, please contact the dealer from which you purchased this product. We hope you enjoy your fixture! \* *Vermont Modern / Hubbardton Forge will not be liable for injury or damage caused by improper installation, lamping or use of this fixture.*