

Assembly & Installation Instructions

A410

For Treble Pendant 136330

Page 1 of 3

CAUTION: FAILURE TO INSTALL THIS FIXTURE PROPERLY MAY RESULT IN SERIOUS PERSONAL INJURY OR DEATH AND PROPERTY DAMAGE. We recommend installation by a licensed electrician.

This product must be installed in accordance with applicable installation code(s), by a person familiar with the construction and operation of the product and the hazards involved.*

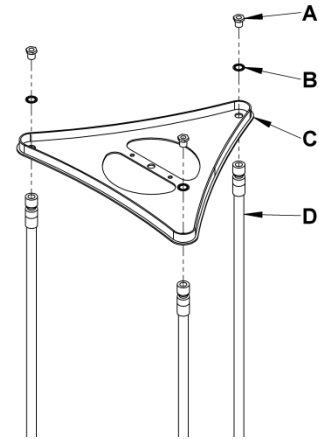
Caution: Do not exceed maximum wattage noted on fixture. Use only recommended bulbs with fixture.

To Assemble Canopy (Figure 1)

Component Parts

- A Hex Nipple (3)
- B Lock Washer (3)
- C Canopy
- D Canopy Pipe (3)

1. Carefully unpack canopy from carton.
2. Remove hex nipples (A) and lock washers (B) from end of canopy pipes (D) and set aside for later use. *Parts ship installed.*
3. Line up end of canopy pipe (D) with hole in canopy (C).
4. Place hex nipple (A) through lock washer (B), down through holes in canopy and thread into canopy pipe. Tighten securely.
5. Repeat steps 2 and 3 for the remaining stems.



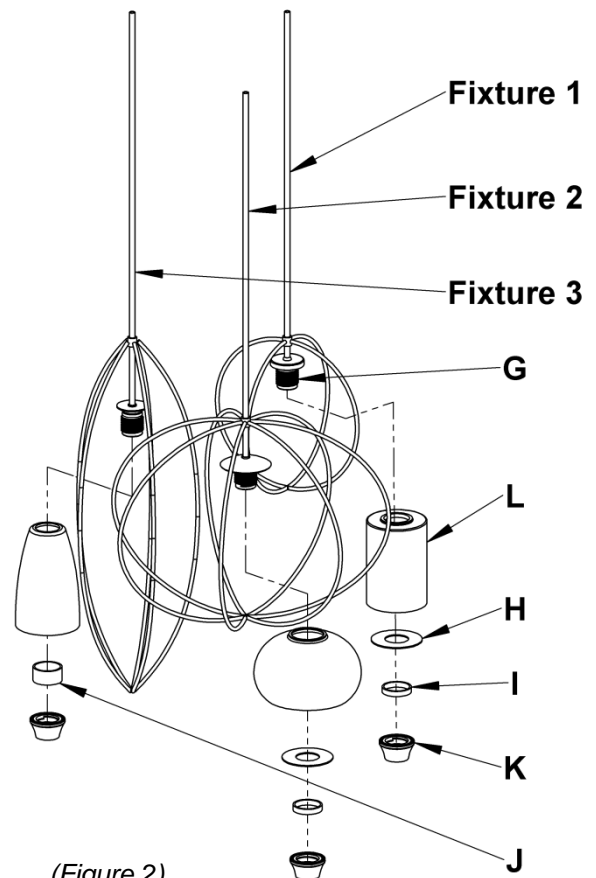
(Figure 1)

Install Glass (Figure 2)

Component Parts

- G Socket (3)
- H Washer (2)
- I Short Spacer Ring (2)
- J Long Spacer Ring
- K Retaining Ring with Cover (3)
- L Glass (3)

1. Remove retaining ring with covers (K), spacer rings (I&J) & washers (H) from sockets (G). Retain for later use. *Parts ship installed.*
2. For Fixtures 1 & 2:
 - a. Slide glass (L) over sockets (G) followed by washers (H) and spacer rings (I).
 - b. Thread retaining rings with cover (K) onto sockets (G) to secure glass (L). *Do not over tighten.*
3. For Fixture 3:
 - a. Slide glass (L) over socket (G) followed by long spacer ring (J).
 - b. Thread retaining ring with cover (K) onto socket (G) to secure glass (L). *Do not over tighten.*
4. Install bulbs (*not included*) into sockets (G).



(Figure 2)

(continued)

Assembly & Installation Instructions

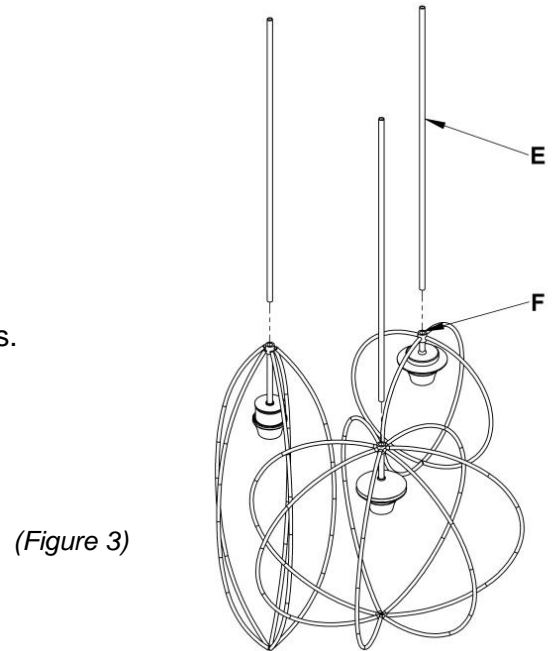
For Treble Pendant 136330

Stem Assembly (Figure 3)

Component Parts

- E Fixture Pipe (3)
- F Fixture Coupling (3)

1. Carefully thread fixture pipe (E), threaded end first, over fixture wires.
2. Apply a drop of the supplied thread locking compound to the internal threads of fixture coupling (F) and screw stem into fixture, being careful not to twist or pinch the wires.
Note: Application of the thread locking compound is necessary to prevent the stem from loosening during regular maintenance and cleaning of the fixture. Be certain to apply the compound.
3. See instructions below to complete the installation.



(Figure 3)

To Assemble and Install Fixture (Figures 4 & 5)

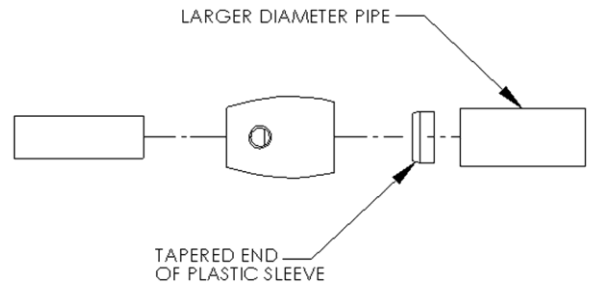
Components

- | | | |
|----------------------|---------------------|----------------|
| C Canopy | P Knurl Ball (2) | V Ground Screw |
| D Canopy Pipe (3) | Q Canopy Cover | |
| E Fixture Pipe (3) | R Lock Up | |
| M Crossbar | S Set Screw (3) | |
| N Threaded Studs (2) | T Clutch Sleeve (3) | |
| O Canopy Nipple | U Clutch (3) | |

1. Carefully unpack fixture from carton.
2. Thread the wires from the fixture pipe (E) into and through the canopy pipe (D) up through the canopy (C).
3. Unscrew the clutch (U) from the canopy pipe (D) slide it across the wires and onto the fixture pipe (E). Follow this with the clutch sleeve (T), so it nests in the clutch (U).

Important: To ensure full connection strength, be sure the tapered end of the plastic clutch sleeve is oriented toward the clutch when assembled. (Figure 4).

4. Slide the fixture pipe (E) up into canopy pipe (D) as far necessary to give you the total length of the fixture which you desire. Be careful not to scratch the pipe surfaces and to pull excess wire up through the canopy (C). There must be a minimum 1-1/2" of inner pipe inside the outer pipe. Hand-tighten the clutch to temporarily hold this adjustment.
5. Tighten the set screws (S) on the clutches (U) firmly with hex wrench provided. Repeat for all three fixtures.



(Figure 4)

(continued)

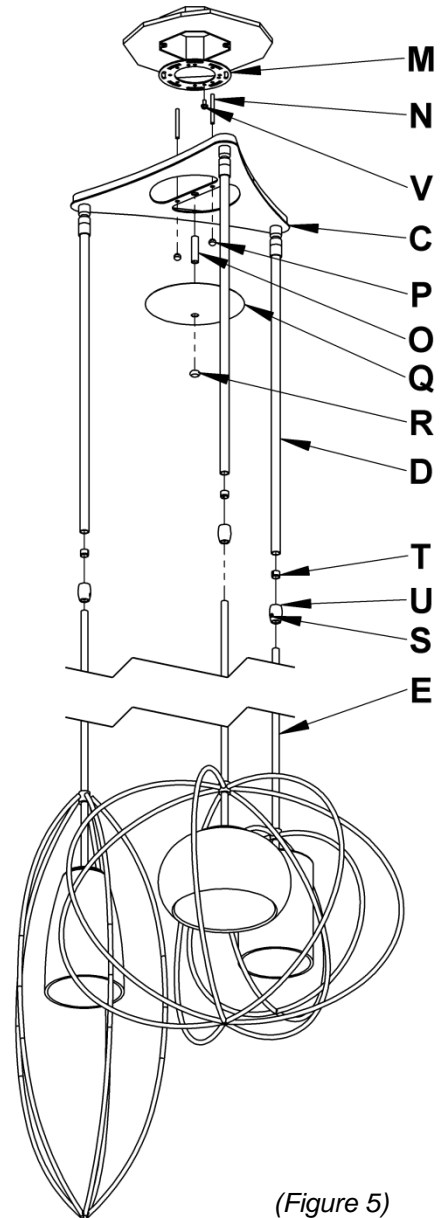
Assembly & Installation Instructions

For Treble Pendant 136330

A410

Page 3 of 3

6. Repeat steps 2-5 with remaining pipes.
7. Thread studs (N) through appropriate holes in the crossbar (M) to match hole centers in canopy (C).
8. Using two machine screws (not provided), fasten the crossbar (C) to the electric box using outer oval slots to orient fixture to desired hanging position.
Note: A new electric box comes with screws. When replacing a fixture, retain the existing screws for use with the new fixture.
9. Slide fixture canopy (C) with fixture attached, over threaded studs (N) and push firmly to ceiling making sure no wires are pinched between fixture canopy and ceiling. Fasten with knurled balls (P). Be sure studs (N) are fully seated in knurled balls (P).
10. Using suitable wire connectors (not provided) connect fixture wires to supply (white to white and black to black). Run a pigtail lead from crossbar ground screw (V) to the junction box and connect all ground wires (bare copper or green to bare copper or green).
Caution: Make sure wire connectors are twisted on securely, and no bare wire is exposed.
11. Unthread lock up (R) from canopy nipple (O) and save for later use. *Parts are ship installed.*
12. Thread canopy nipple (O) in to threaded hole directly in center of canopy (C).
13. Install canopy cover (Q) on canopy nipple (O).
14. Thread lock up (R) on to canopy nipple (O). Tighten against canopy cover (Q) until snug. Be sure nipple (O) is fully seated in lock up (R).
15. Restore electricity at main breaker.



(Figure 5)

If you need further assistance, or find that you are missing any parts, please contact the dealer from which you purchased this product. We hope you enjoy your fixture!

* Hubbardton Forge will not be liable for injury or damage caused by improper installation, lamping or use of this fixture.