

Assembly & Installation Instructions

A468

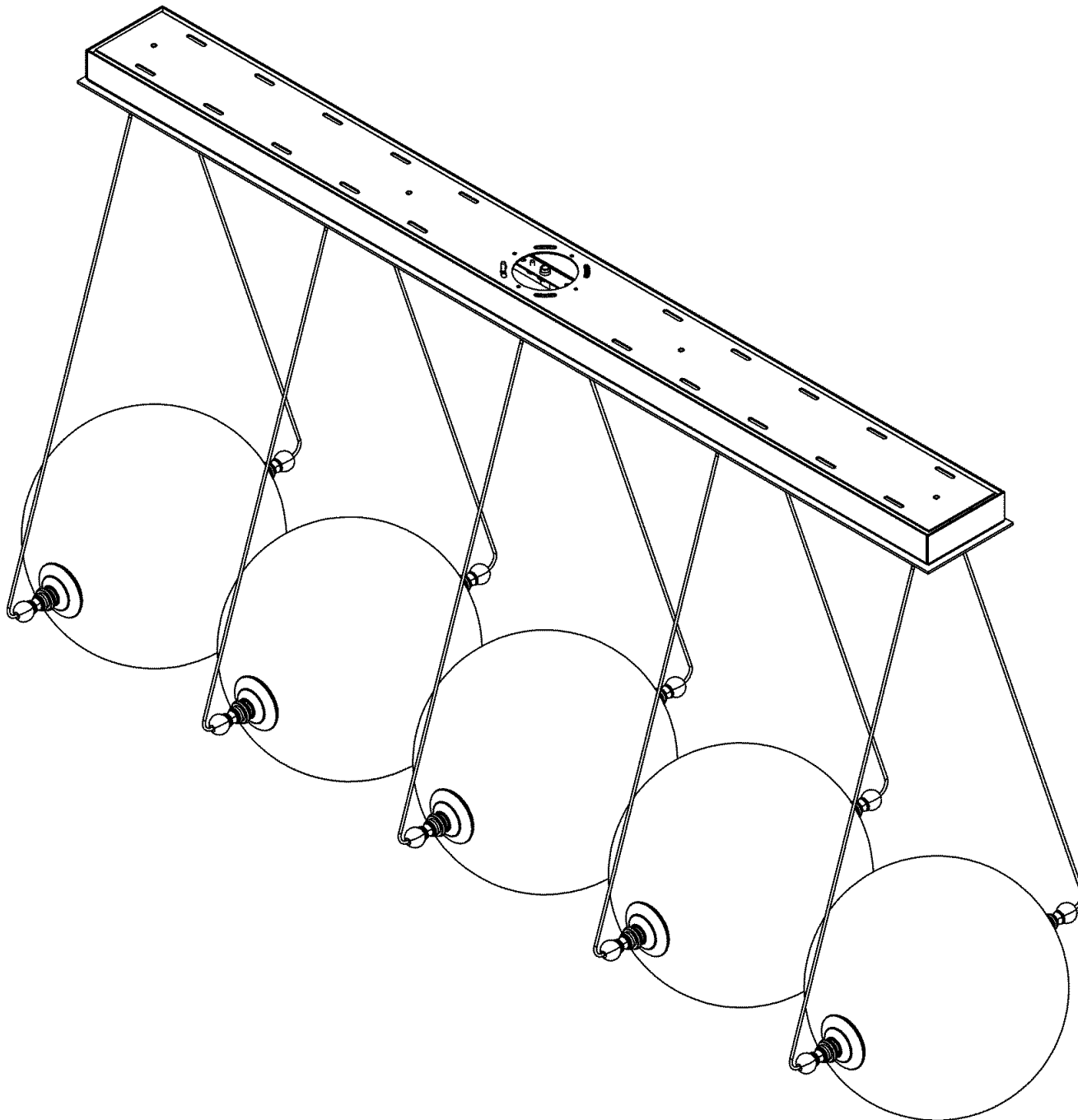
For Otto Small Sphere 5 Light Pendant 134409

Page 1 of 6

CAUTION: FAILURE TO INSTALL THIS FIXTURE PROPERLY MAY RESULT IN SERIOUS PERSONAL INJURY OR DEATH AND PROPERTY DAMAGE. We recommend installation by a licensed electrician.

This product must be installed in accordance with applicable installation code(s), by a person familiar with the construction and operation of the product and the hazards involved.*

Caution: Do not exceed maximum wattage noted on fixture. Use only recommended bulbs with fixture.



Assembly & Installation Instructions

For Otto Small Sphere 5 Light Pendant 134409

A468

Page 2 of 6

Component Parts

A	Fixture
B	Mounting Bracket
C	Caps (3)
D	Anchors
E	#10 Screws
F	Ground Screw
G	Suspension Cables (2)
H	Suspension Cable Nuts (2)
I	Cupped Washer
J	Supply / Support Cables
K	Bulbs (10) (Not Included)
L	Glass Tube (5)
M	Mesh Tube (5)
N	Glass Globe (5)

Assembly & Installation Instructions

For Otto Small Sphere 5 Light Pendant 134409

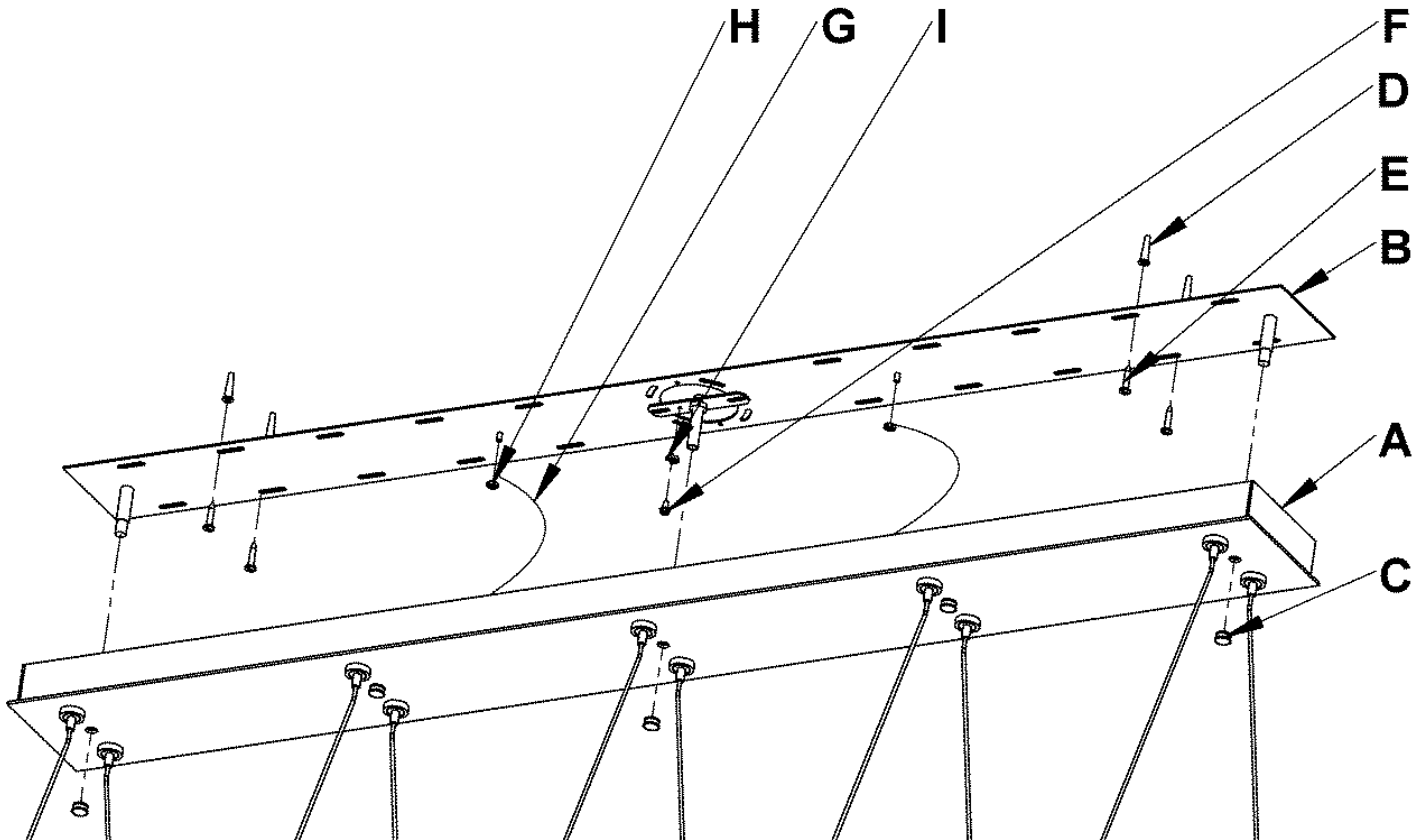
A468

Page 3 of 6

To Install Fixture (Figure 1)

Caution: Be sure power is off at the main breaker box prior to installation. This installation requires 2 people.

1. Carefully unpack the fixture from the carton.



(Figure 1)

2. Mounting bracket (B) is shipped installed. Unscrew caps (C) and separate mounting bracket from fixture (A) and retain for later use.

Note: Only 3 of the 5 caps (C) are functional. Remove center cap with nipple and caps on each end to separate mounting bracket from fixture.

3. Place the mounting bracket (B) over the electrical box. With a pencil, mark the location of all mounting holes in the bracket (B) on the ceiling.

IMPORTANT: Mounting brackets must be secured to a solidly mounted framing member. Secure bracket at each end and also on either side of the junction box. Do not depend on drywall anchors alone to support this fixture. If in doubt, contact a qualified electrician.

(Continued)

Assembly & Installation Instructions

A468

For Otto Small Sphere 5 Light Pendant 134409

Page 4 of 6

4. Drill 1/4" holes in the locations marked on the ceiling. For holes using anchors, place the tapered end of the anchors (D) into the holes and gently tap them flush to the ceiling using a lightweight hammer.
5. Thread the wires in the electrical box through the hole in the mounting bracket (B) while moving the bracket into position.
6. Using two machine screws (not provided) fasten mounting bracket (B) to the electric box.
Note: *A new electric box comes with screws. When replacing a fixture, retain the existing screws for use with the new fixture.*
7. Using the 1" #10 screws (E), screw the bracket (B) securely to the ceiling. Be careful not to over-tighten or strip the anchors (D).
8. Temporarily support the fixture (A) by using suspension cables (G). To utilize cables, unscrew suspension cable nuts (H). Slide end of suspension cables (G) over studs and re-attach nuts (H).
9. Using suitable wire connectors (not provided) connect fixture wires to supply wires (white to white and black to black). Connect pigtail lead to mounting bracket (B) using the ground screw (F) and cupped washer (I).
Connect all ground wires (bare copper or green to bare copper or green).
Caution: Make sure wire connectors are twisted on securely, and no bare wires are exposed.
10. Raise fixture (A) to the ceiling, sliding over nipples on mounting bracket (B) and secure with caps (C). Be sure caps (C) are fully seated on nipples.

(Continued)

Assembly & Installation Instructions

A468

For Otto Small Sphere 5 Light Pendant 134409

Page 5 of 6

To Install Glass (Figure 2)

1. Install bulbs (K) (not included).
2. Begin the glass installation at either end of the fixture.
3. Starting with the first pair of socket cups, screw glass tube (L) into one of the socket cups until it stops.

Note: You can screw the glass tube (L) into either socket cup to start.

4. While holding the glass tube (L) at an upward angle, slide the mesh tube (M) over the glass tube (L).
5. Keeping the upward angle, slide the glass globe (N) over the mesh tube (M) until the mesh tube (M) travels through the openings at both ends of the glass globe (N).
6. Screw the remaining socket cup from the pair you are working on into the exposed end of the glass tube (L) until it stops.

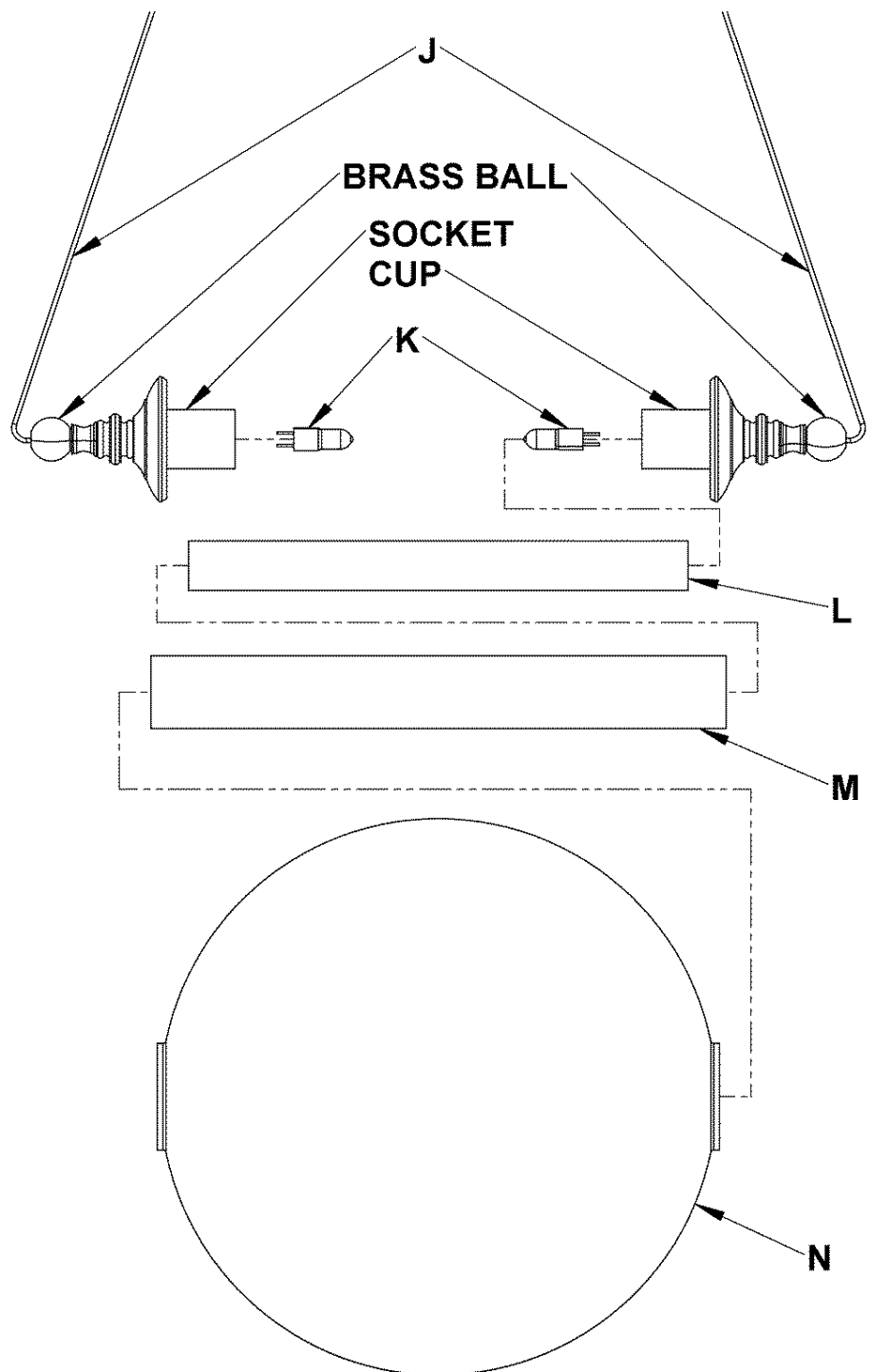
Note: Screw in the socket cup by holding onto the brass ball.

Note: To orient the seam in the mesh tube, lift the glass globe by holding the brass balls on each end. While tension is relieved in the cable, rotate the entire globe until the mesh tube is oriented in the desired position.

7. Push supply/support cables (J) into canopy gripper until desired height is reached.

Note: Fixture is shipped at max height.

Note: To lengthen supply/support cables (J) press up on the gripper to release the cable.



(Figure 2)

(Continued)

Assembly & Installation Instructions

For Otto Small Sphere 5 Light Pendant 134409

A468

Page 6 of 6

8. Repeat steps 3 – 7 with the four remaining pairs of socket cups until all 5 glass globes (N) are installed with mesh tubes (M) and glass tubes (L).
9. Restore electricity at main breaker.

If you need further assistance, or find that you are missing any parts, please contact the dealer from which you purchased this product. We hope you enjoy your fixture!

* Hubbardton Forge will not be liable for injury or damage caused by improper installation, lamping or use of this fixture.