

Assembly & Installation Instructions

A430

For Otto Pendant 134405

Page 1 of 4

CAUTION: FAILURE TO INSTALL THIS FIXTURE PROPERLY MAY RESULT IN SERIOUS PERSONAL INJURY OR DEATH AND PROPERTY DAMAGE. We recommend installation by a licensed electrician.

This product must be installed in accordance with applicable installation code(s), by a person familiar with the construction and operation of the product and the hazards involved.*

Caution: Do not exceed maximum wattage noted on fixture. Use only recommended bulbs with fixture.

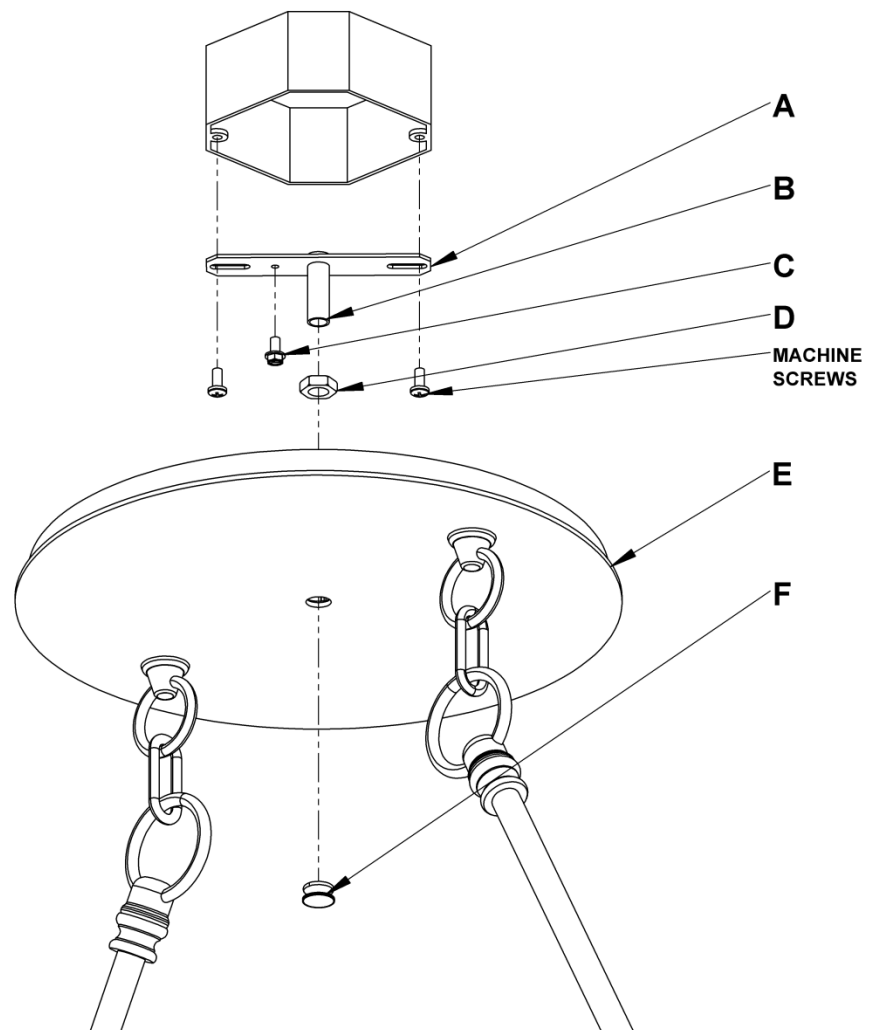
To Install Fixture (Figure 1&2)

Component Parts

- A Crossbar
- B Nipple
- C Ground Screw
- D Locknut
- E Fixture
- F Knob

Caution: Be sure power is off at the main breaker box prior to installation

1. Carefully unpack the fixture from the carton.
2. Knob (F) is shipped installed on nipple (B). Remove knob (F) from nipple (B) and retain for later use.
3. Screw nipple (B) into crossbar (A).
4. Spin nut (D) onto nipple (B).
5. Using two machine screws (not provided), fasten the crossbar (A) to the electric box.
Note: A new electric box comes with screws. When replacing a fixture, retain the existing screws for use with the new fixture.
6. Adjust the length of threaded nipple (B) in crossbar (A) so that the knob (F) will hold the fixture (E) tightly against the ceiling. When the correct adjustment is established, tighten lock nut (D) against crossbar (A) to hold adjustment.
7. Before making wiring connections, ensure that there is ample wire available to achieve the overall height desired and make sure that this is slack in the loop/link section of the fixture. (Figure 4).
The fixture should be supported by the pipes, loop and link not the supply wire.



(Figure 1)

(Continued)

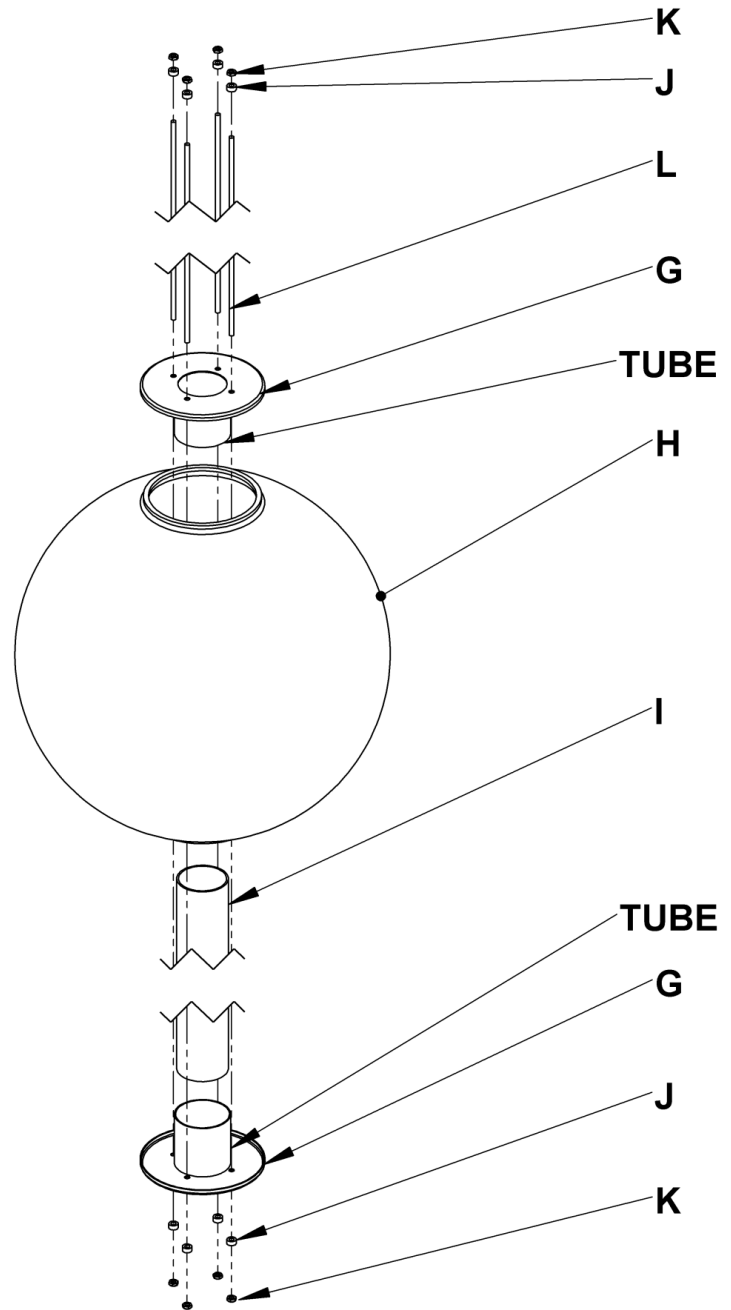
8. Hold fixture close to ceiling. Using suitable wire connectors (not provided), connect fixture wires to supply wires (white to white supply, black to black supply). Run a pigtail lead from crossbar ground screw (L) to the junction box and connect all ground wires (bare copper or green to bare copper or green). Push wires back into outlet box. **Caution:** Make sure wire connectors are twisted on securely, and no bare wire is exposed.
9. Raise fixture (E) to the ceiling, sliding over nipple (B) and secure with knob (F). Be sure nipple (B) is fully seated in knob (F)

To Assemble Glass sphere and internal components (Figure 2)

Component Parts

- G End Cap (2)
- H Glass Sphere
- I Decorative Element (glass or mesh tube)
- J Spacer (8)
- K Hex nut (8)
- L Brass Rods (4)

1. Place one end cap (G) on a flat surface.
2. Slip decorative element (I) into the tube portion of the end cap (G).
3. Carefully slide glass sphere (H) over decorative element (I) and onto the end cap (G).
4. Place second end cap (G) on top of the glass sphere (H) fitting the decorative element (I) inside the tube portion of the end cap (G).
5. Slide one brass rod (L) down through one of the holes in the end cap, through the glass sphere and into the hole in the lower end cap (G).
6. Place spacer on the brass rod and thread hex nut (K) on a couple of turns.
7. Repeat for the other 3 brass rods (L).
8. Grasping both end caps (G) and holding them tight to the glass sphere (H) carefully pick up the sphere (H) and push the rods through the bottom end cap (G).



(Figure 2)

(Continued)

Assembly & Installation Instructions

For Otto Pendant 134405

A430

Page 3 of 4

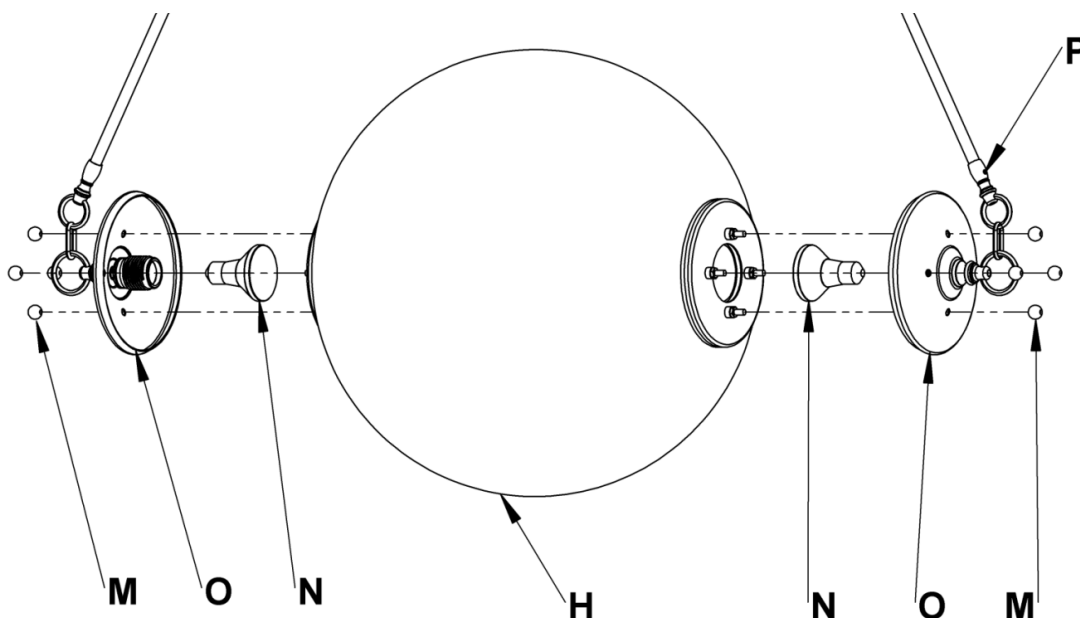
- Place spacers (J) and nuts (K) on the ends of the brass rods (L).
- Center the brass rods (L) in the sphere (H) and tighten down the nuts (K) on both ends to hold the brass rod's positions. Be sure to not overtighten the nuts otherwise the brass rods will bow.

To Install Glass (Figures 3 & 4)

Component Parts

- H Glass Sphere
- M Brass Balls (8)
- N Bulb (not included)
- O Socket Vase (2)
- P Clutch set screw (2)

- Install light bulbs (N) into sockets
- Align holes in socket vase (O) with brass rods (L). Slide vase onto rods, up against glass sphere (H).
- Thread brass balls (M) onto brass rods (L).
- Repeat steps 2 & 3 for second socket vase (O). Make sure that loops are aligned.
- To adjust height of fixture, loosen set screw (P) in clutch. Slide pipes to achieve desired height and tighten set screw. Always ensure that there is at least 1-1/2" overlap in pipes.
- Ensure there is slack in the power cord and the fixture is supported by pipes/loops/links not the power cord.
- Restore electricity at main breaker.



(Figure 3)

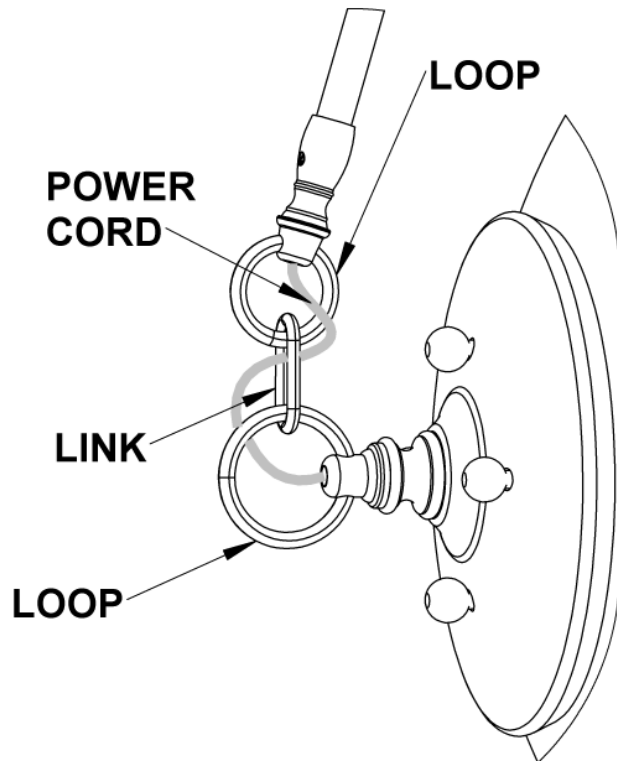
(Continued)

Assembly & Installation Instructions

For Otto Pendant 134405

A430

Page 4 of 4



(Figure 4)

If you need further assistance, or find that you are missing any parts, please contact the dealer from which you purchased this product. We hope you enjoy your fixture!

* Hubbardton Forge will not be liable for injury or damage caused by improper installation, lamping or use of this fixture.