

# Assembly & Installation Instructions

**A158**

For Impressions Semi-Flush 12-6751 & 12-6751F

Page 1 of 2

**CAUTION: FAILURE TO INSTALL THIS FIXTURE PROPERLY MAY RESULT IN SERIOUS PERSONAL INJURY OR DEATH AND PROPERTY DAMAGE. We recommend installation by a licensed electrician.**

This product must be installed in accordance with applicable installation code(s), by a person familiar with the construction and operation of the product and the hazards involved.\*

**Caution:** Do not exceed maximum wattage noted on fixture. Use only recommended bulbs with fixture.

## **To Install Fixture** (Figure 1)

### Component Parts

- A Ground Screw
- B Cross Bar
- C Threaded Stud (3)
- D Canopy
- E Barrel Knobs (3)

### **Caution: Be sure power is off at the main breaker box prior to installation**

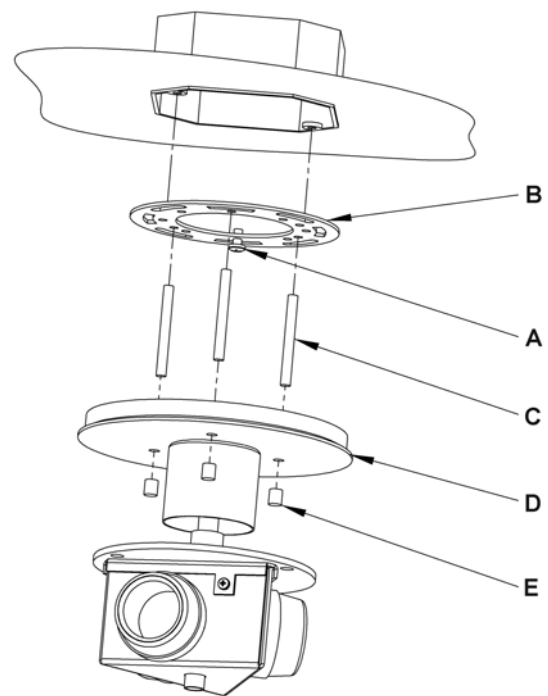
1. Carefully unpack the fixture from the carton.
2. Thread studs (C) through appropriate holes in cross bar (B) to match hole centers in canopy (D). Move ground screw (A) to another available threaded hole if necessary.
3. Using two machine screws (not provided) fasten cross bar (B) to the electric box using outer oval holes to orient fixture to desired hanging position.

**Note:** A new electric box comes with screws. When replacing an existing fixture, retain the screws for use with the new fixture.

5. Using suitable wire connectors (not provided); connect fixture wires to supply wires (white to white and black to black). Connect all ground wires to green ground screw (A).

**Caution:** Make sure wire connectors are twisted on securely, and no bare wire is exposed.

6. Slide fixture canopy (D) over threaded studs and push firmly to ceiling, making sure that no wires are pinched between fixture canopy and ceiling. Fasten with barrel knobs (E). Be sure studs (C) are fully seated in barrel knobs (E).



(Figure 1)

(continued)

# Assembly & Installation Instructions

For Impressions Semi-Flush 12-6751 & 12-6751F

**A158**

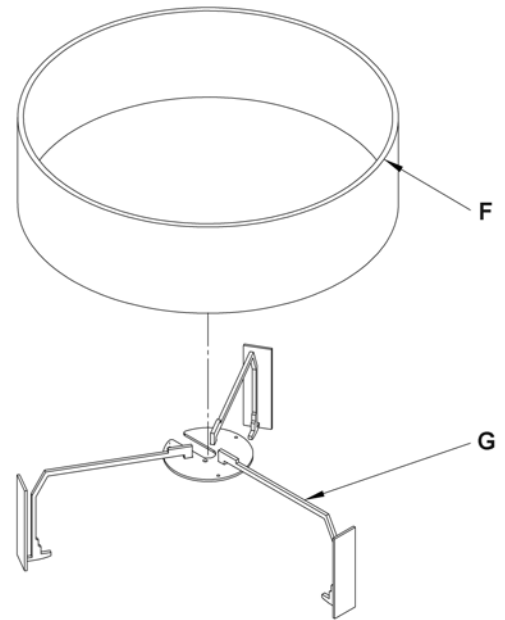
Page 2 of 2

## **To Install Glass** (Figures 2 & 3)

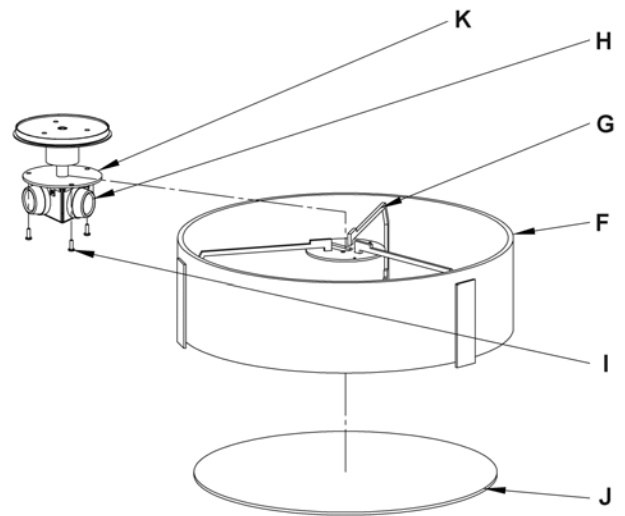
### Component Parts

- F Glass
- G Spider Assembly
- H Socket Assembly
- I Screws (3)
- J Diffuser
- K Washer

1. Place glass (F) into notches of spider assembly (G) (Figure 2).
2. Lift spider assembly (G) with glass (F) installed over socket assembly (H) and place on top of socket assembly.
3. Rotate spider assembly (G) until all three holes match up with the three holes in washer (K).
4. Thread screws (I) from bottom of washer (K) into spider assembly (G).
5. Install light bulbs. *Fluorescent version bulbs are included.*
6. Insert the diffuser (J) up into the fixture at an angle then level it and gently lower onto the lowest tabs of the spider assembly (G).
7. Restore electricity at main breaker.



(Figure 2)



(Figure 3)

*If you need further assistance, or find that you are missing any parts, please contact the dealer from which you purchased this product. We hope you enjoy your fixture!*

\* Hubbardton Forge will not be liable for injury or damage caused by improper installation, lamping or use of this fixture.