

Assembly & Installation Instructions

A125

For Exos Semi-Flush 126503

Page 1 of 3

CAUTION: FAILURE TO INSTALL THIS FIXTURE PROPERLY MAY RESULT IN SERIOUS PERSONAL INJURY OR DEATH AND PROPERTY DAMAGE. We recommend installation by a licensed electrician. This product must be installed in accordance with applicable installation code(s), by a person familiar with the construction and operation of the product and the hazards involved.*

Caution: Do not exceed maximum wattage noted on fixture. Use only recommended bulbs with fixture.

To Install Fixture (Figure 1)

Component Parts

- A Ground Screw
- B Cross Bar
- C Threaded Stud (3)
- D Canopy
- E Barrel Knobs (3)

CAUTION: BE SURE POWER IS OFF AT THE MAIN BREAKER BOX PRIOR TO INSTALLATION.

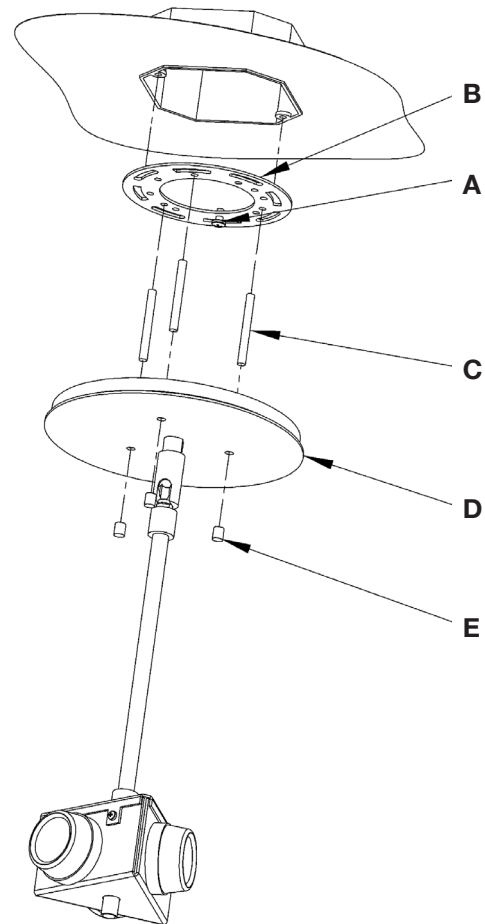
1. Carefully unpack the fixture from the carton.
2. Thread studs (C) through appropriate holes in cross bar (B) to match hole centers in canopy (D). Move ground screw (A) to another available threaded hole if necessary.
3. Using two machine screws (not provided) fasten cross bar (B) to the electric box using outer oval holes to orient fixture to desired hanging position.

Note: A new electric box comes with screws. When replacing an existing fixture, retain the screws for use with the new fixture.

4. Using suitable wire connectors (not provided); connect fixture wires to supply wires (white to white and black to black). Connect all ground wires to green ground screw (A).

CAUTION: MAKE SURE WIRE CONNECTORS ARE TWISTED ON SECURELY, AND NO BARE WIRE IS EXPOSED.

6. Slide fixture canopy (D) over threaded studs and push firmly to ceiling, making sure that no wires are pinched between fixture canopy and ceiling. Fasten with barrel knobs (E). Be sure studs (C) are fully seated in barrel knobs (E).



(Figure 1)

(Continued)

If you need further assistance, or find that you are missing any parts, please contact the dealer from which you purchased this product. We hope you enjoy your fixture!

* Hubbardton Forge will not be liable for injury or damage caused by improper installation, lamping or use of this fixture.

Assembly & Installation Instructions

A125

For Exos Semi-Flush 126503

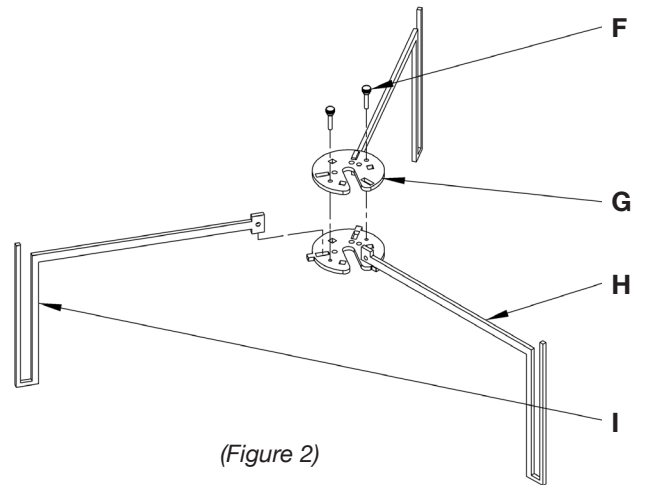
Page 2 of 3

To Assemble Outer Spider (Figure 2)

Component Parts

- F Thumb Screw (2)
- G Upper Outer Arm Assembly
- H Lower Outer Arm Assembly
- I Outer Spider Arm

1. Assemble outer spider by placing upper outer arm assembly (G) on lower outer arm assembly (H) with outer spider arm (I) between them. Make sure outer spider arm (I) is oriented the same as the other two arms. Slot in both assemblies should be aligned.
2. Install (2) thumb screws (F) and tighten.



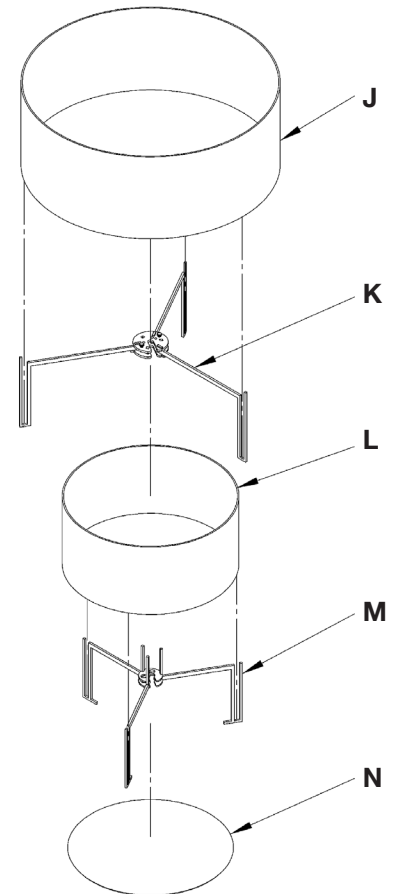
(Figure 2)

To Assemble Spider Assemblies (Figure 3)

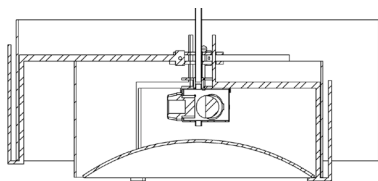
Component Parts

- J Outer Shade
- K Outer Spider
- L Inner Shade
- M Inner Spider
- N Diffuser

1. Place inner shade (L) into notches of inner spider (M).
2. Align outer spider (K) so square openings line up with vertical uprights on inner spider (M). Slots in outer spider (K) and inner spider (L) need to align.
3. Place outer shade (J) into notches of outer spider (K).
4. Slip glass diffuser (N) curved side up at an angle into inner spider (M) and rotate to rest on all three arms. It may be necessary to flex on support arm slightly to install diffuser. See Figure 3A for correct orientation of diffuser.

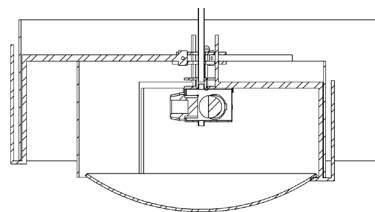


(Figure 3)



DIFFUSER INSTALLED
CORRECTLY

(Figure 3A)



DIFFUSER INSTALLED
INCORRECTLY

(Continued)

If you need further assistance, or find that you are missing any parts, please contact the dealer from which you purchased this product. We hope you enjoy your fixture!

*Hubbardton Forge will not be liable for injury or damage caused by improper installation, lamping or use of this fixture.

Assembly & Installation Instructions

A125

For Exos Semi-Flush 126503

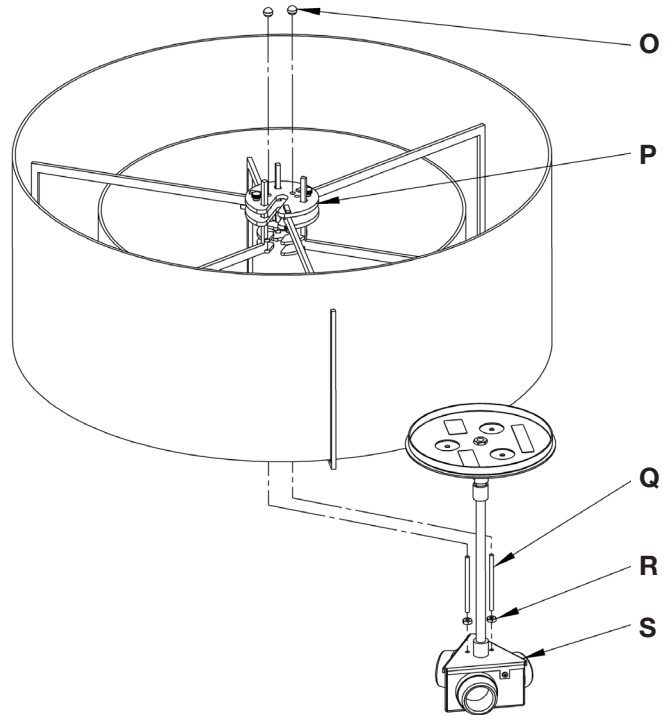
Page 3 of 3

To Install Shade and Glass (Figure 4)

Component Parts

- O Knurl Ball (2)
- P Shade Assembly
- Q Threaded Studs (2)
- R Hex Nut (2)
- S Socket Assembly

1. Thread hex nut (R) onto threaded stud (Q) approximately 1/2" from the end.
2. Thread two threaded studs (Q) into socket assembly (S) to a height of 2 3/8" from top of the socket assembly. Hex nuts should be at the end closest to the socket assembly.
3. Tighten hex nut (R) against socket assembly (S) until snug.
4. Raise shade assembly (P) past socket assembly (S) until it clears threaded studs (Q).
5. Align holes in shade assembly (P) with threaded studs (Q) and lower until it rests on top of socket assembly (S).
6. Thread knurl ball (O) onto threaded stud (Q) and tighten until snug against the top of shade assembly (P).
7. Restore electricity at main breaker box.



(Figure 4)

If you need further assistance, or find that you are missing any parts, please contact the dealer from which you purchased this product. We hope you enjoy your fixture!

* Hubbardton Forge will not be liable for injury or damage caused by improper installation, lamping or use of this fixture.