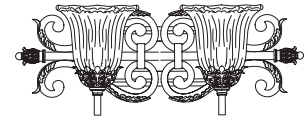
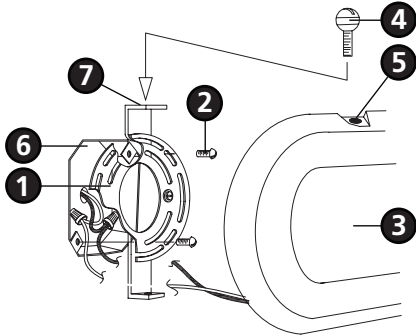


Family: Martina | Item No. 5812 GR



Drawing 1 - Fixture Mounting



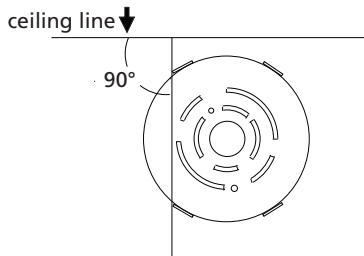
▼ start here

1

1. Find a clear area in which you can work.
2. Unpack fixture and glass from carton.
3. Carefully review instructions prior to assembly.

***** The construction of this fixture will be accomplished by first mounting the mounting strap to the junction box, making all necessary electrical connections, mounting the fixture to the wall, and then installing the fixture glass.**

Drawing 2 - Mounting Plate



2

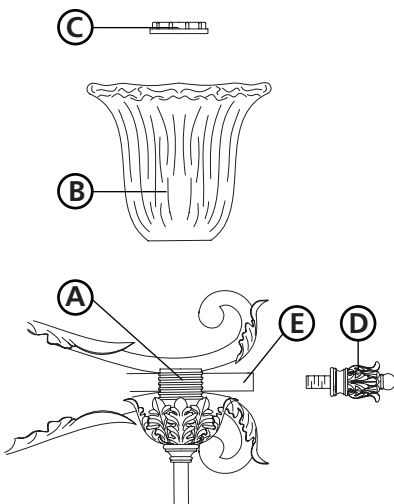
1. Remove mounting bracket (1) from fixture backplate (3) by removing the ball knob screws (4) - see **Drawing 1**.
2. Take main mounting bracket (1) and slide the wires from the junction box through the large center hole. Line up the curved slots (3) with the threaded holes in the junction box. Using 2 screws (2) attach the main mounting plate to the junction box.
 - Make sure mounting plate tabs are 90 degrees to the ceiling line - see **Drawing 2**.

SAFETY WARNING: READ WIRING AND GROUNDING INSTRUCTIONS (I.S. 18) AND ANY ADDITIONAL DIRECTIONS. TURN POWER SUPPLY OFF DURING INSTALLATION. IF NEW WIRING IS REQUIRED, CONSULT A QUALIFIED ELECTRICIAN OR LOCAL AUTHORITIES FOR CODE REQUIREMENTS.

3

- Make electrical connections from supply wire to fixture lead wires. Refer to instruction sheet (I.S. 18) and follow all instructions to make all necessary wiring connections. Then refer back to this sheet to continue installation of this fixture.

Drawing 3 - Glass Installation



4

1. Mount the fixture by sliding the backplate (3) over the mounting bracket (1) and line up holes (5) in backplate (3) with hole on mounting tab (7) - see **Drawing 1**.
2. Thread ball knob screw (5) into mounting tab (7) to secure fixture to the wall.

5

1. To install glass, remove threaded socket ring (C) from socket (A) - see **Drawing 3**.
2. Place glass (B) over exposed section of socket (A).
3. Thread socket ring (C) onto socket (A) to secure glass (B).
4. Repeat steps 1-3 for remaining glass.
5. Thread decorative knob (D) into end of crossbar (E).
6. Fixture can now be lamped accordingly.

Note: Maximum wattage for 5812 fixture is 100 watts per bulb.

9.9.10