

Use Drawing 1 for reference.

Fixture and Glass Installation

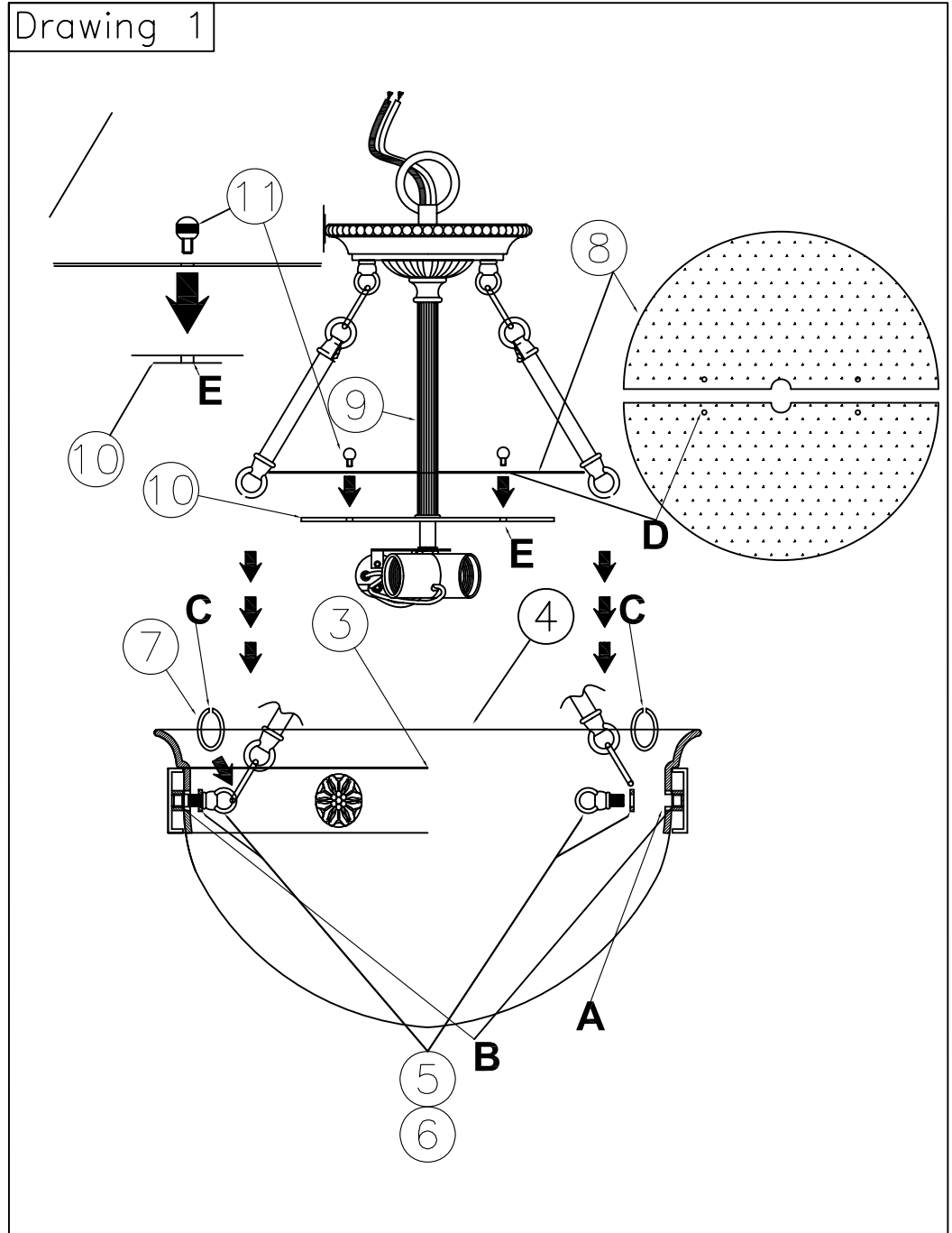
Note: fixture can be lamped at this point. Maximum wattage allowed is 75 watts per bulb.

1. Slip glass (4) into frame (3). While holding glass in place, slip loop with large threaded stud (5) through rubber Washer (6) slipping both (5) and (6) through the glass hole (A) three holes provided. With that completed proceed to start threading loop with large threaded stud (5) with rubber washer into the frame (3) with welded on threaded inserts (B).
DO NOT OVER TIGHTEN. Repeat this process two more times.

2. When step 1 is completed, finish the the fixture assembly process by locating the three chain loops (7) wrapped and located in the parts bag. The three chain loops have pre-opened ends (C) slip chain loop (7) onto loop (5) threaded into frame (3). Repeat this process two more times. After completing that last step proceed to close each pre-opened chain loop (7) use a cloth to protect the finish when closing each pre-opened loop and a pair of pliers.

3. After step 2 is completed proceed to with the final fixture assembly. Unwrap the white perforated pan (8) two pieces provided. Locate the holes provide (D). Place the two perforated pans (8) as shown around column (9), and place flat onto bracket (10) making sure the white perforated pan (8) holes (D) line up with the threaded holes (E) on bracket (10). Now locate the white set screws (11) four provided in parts bag wrapped in white foam wrap. Slip screws through white perforated pan (8) holes (D) and thread into bracket (10) threaded holes (E) as shown. Repeat this process three more times and proceed to fixture installation.

Drawing 1

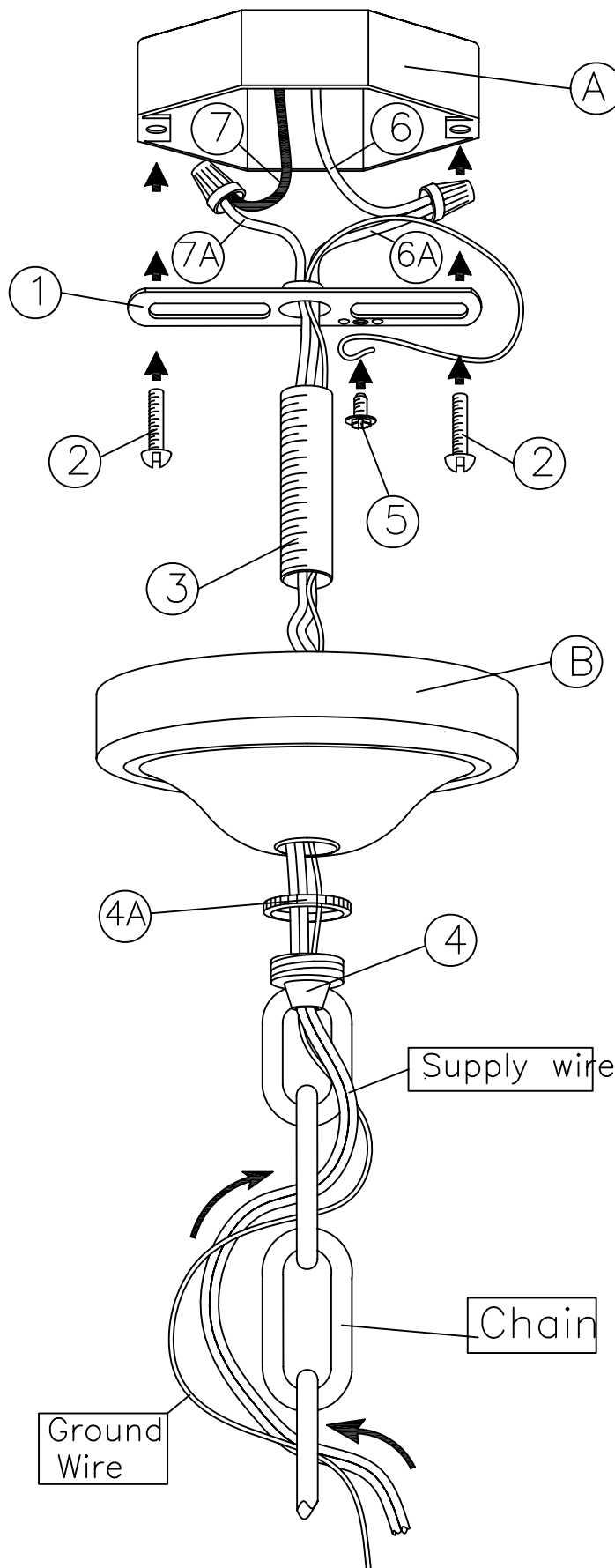


Note: Fixture can be installed at this time. Please follow the mounting instructions on the back of this sheet. Please follow glass installation instructions below after mounting.

Mounting Instructions for 4555 BB/ FP

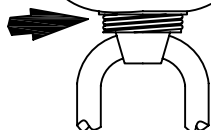
Mounting instructions

1. Shut current off before starting. If the fixture you are replacing is turned on and off by a wall switch, simply turn the switch off. If not, remove the appropriate fuse (or open the circuit breakers) until the fixture is dead. Do not restore current – either by fuse, breaker or switch – until the new fixture is completely wired and in place.
2. Fasten mounting strap (1) to outlet box (A) with the original outlet box screws (2).
3. Thread nipple (3) in to the mounting strap (1), as illustrated.
4. Thread loop (4) on to end of nipple (3).
5. Slip canopy (B) over loop (4) and adjust height of loop so half of thread area is exposed. (see Drawing 3 below)
6. Taking the chain, determine the length you require, and attach one end of the chain to the fixture. Now slip loop collar (4A) and canopy (B) onto chain.
7. Now attach other end of chain to loop (4). Please get assistance during this step. Since fixture may be heavy and difficult to hold while attaching chain.
8. Unwrap supply wire and ground wire and weave them up through the chain. Then slip supply wire and ground wire through center of loop (4).
9. Connect ground wire to mounting strap (1) using green ground screw (5).
10. Now connect outlet box wires to fixture leads. Important: connect white outlet box wire (6) to ribbed or white fixture lead (6A). Then connect black or red outlet box wire (7) to smooth or black fixture lead (7A).
11. Slip canopy up firmly against the ceiling, and secure by turning the threaded collar (4A) on loop (4) until tight.



Drawing 3

half of thread area of loop (4) is to be exposed. This will allow collar (4A) to be threaded on later.



Wiring & Grounding Instructions

SAFETY WARNING: Read wiring and grounding instructions and any additional installation directions. Turn power supply off during installation. If new wiring is required, consult a qualified electrician or local authority for code requirements.

WIRING INSTRUCTIONS (INDOOR FIXTURES): Connect positive supply wire (black or red) to positive fixture lead with appropriately sized twist-on connector. Connect negative (white) supply wire to negative fixture lead.

WIRING INSTRUCTIONS (OUTDOOR FIXTURES): Connect positive supply wire (black or red) to positive fixture lead with appropriately sized twist-on connector. Connect negative (white) supply wire to negative fixture lead. Cover open end of connectors with silicone sealant to form a watertight seal. If installing a wall-mount fixture, use caulk to seal gaps, between the fixture mounting plate (backplate) and the wall. This will help prevent water from entering the outlet box. If the wall surface is lap siding, use caulk and a fixture mounting platform specially designed for lap siding.

IDENTIFICATION OF FIXTURE LEADS:

POSITIVE: Black, or with woven plain cloth cover or smooth and unmarked side of two-conductor cord.

NEGATIVE: White, or with woven cloth cover with tracer, or with ribbed or printed side of two conductor cord.

GROUNDING INSTRUCTIONS:

FOR FLUSH-MOUNT FIXTURES: For positive grounding in a 3-wire electrical system, fasten the system ground to the fixture mounting strap with the green ground screw. Note: On straps for screw supported fixtures, first install the two mounting screws in strap. Any remaining tapped hole may be used for the ground screw.

FOR CHAIN HUNG FIXTURES: Loop fixture ground wire under the head of the ground screw on mounting strap, and connect the loose end of the fixture ground wire directly to the ground wire of the building system, with appropriately sized twist-on connectors.

FOR POST - MOUNT FIXTURES: Connect fixture ground to power supply ground with appropriately sized twist-on connector inside post. Cover open end of connector with silicone sealant to form a watertight seal.

WIRING DIAGRAMS:

