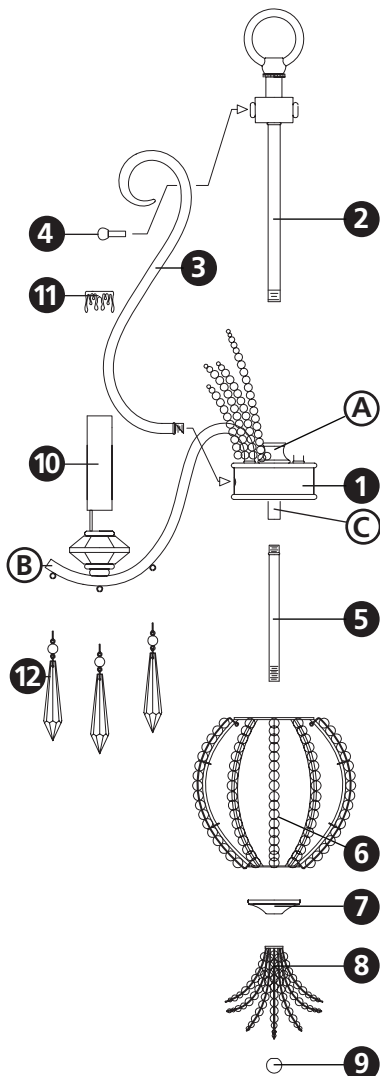


## Drawing 1 - Fixture Assembly



## ▼ start here

1

1. Find a clear area in which you can work.
2. Unpack fixture and glass from carton.
3. Carefully review instructions prior to assembly.

\*\*\* *The construction of this fixture will be accomplished by first assembling the main body of the fixture, making all necessary electrical connections, hanging the fixture from the ceiling, and then attaching crystal pentalogues.*

**SAFETY WARNING: READ WIRING AND GROUNDING INSTRUCTIONS (I.S. 18) AND ANY ADDITIONAL DIRECTIONS. TURN POWER SUPPLY OFF DURING INSTALLATION. IF NEW WIRING IS REQUIRED, CONSULT A QUALIFIED ELECTRICIAN OR LOCAL AUTHORITIES FOR CODE REQUIREMENTS.**

2

1. To assemble fixture, thread center column (2) into coupler (A) located in the center of the main body assembly (1).
2. Attach upright (3) to top of center column (2) with ball knob screws (4) provided.
3. Snap bottom of upright (3) into hole located in side of main body (1).
4. Spread arms (B) until they are evenly spaced 120 degrees apart.
5. Thread center stem (5) into coupler (C) located on the bottom of main body assembly (1).
6. Slip beaded cage (6) over center stem (5) and hold in position.
7. Slip cap (7) onto center stem (5) and hold in position.
8. Slip beaded finial (8) onto center stem (5) and hold in position.
9. Thread ball knob (9) onto end of center stem and tighten to secure beaded cage to fixture.
10. Slip candle sleeve (10) over socket (D).
11. Slip candle drip (11) over end of candle sleeve (10).
12. Hang crystal pentalogues (12) from attachment points indicated.
13. Please refer to the hanging instruction sheet (I.S. 19) provided to hang fixture. After the fixture can be lamped accordingly.

Note: Maximum wattage for 4443 fixture is 60 watts per bulb.

2.7.08