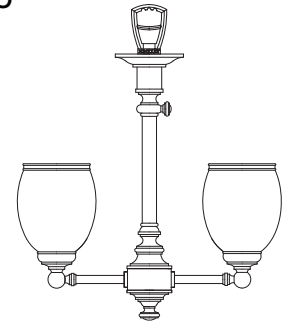
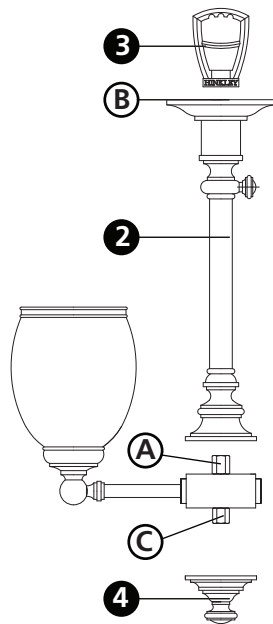


Family: Loyola | Item No. 4343 RU



**Drawing 1 - Fixture Assembly**



**1**

1. Find a clear area in which you can work.
2. Unpack fixture and glass from carton.
3. Carefully review instructions prior to assembly.

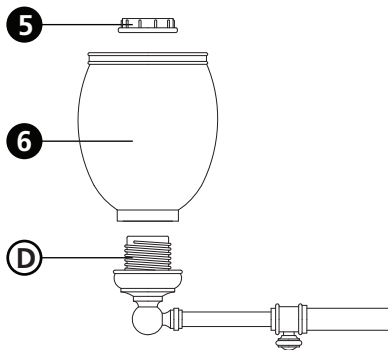
**\*\*\* The construction of this fixture will be accomplished by first assembling the main body of the fixture, making all necessary electrical connections, hanging the fixture from the ceiling, and then attaching the glass.**

**SAFETY WARNING: READ WIRING AND GROUNDING INSTRUCTIONS (I.S. 18) AND ANY ADDITIONAL DIRECTIONS. TURN POWER SUPPLY OFF DURING INSTALLATION. IF NEW WIRING IS REQUIRED, CONSULT A QUALIFIED ELECTRICIAN OR LOCAL AUTHORITIES FOR CODE REQUIREMENTS.**

**2**

1. Slip center stem (2) along wire and thread onto coupler (A) and tighten - see **Drawing 1**.
2. Slip loop (3) along wire and thread onto nipple (B) and tighten.
3. Thread bottom cap (4) onto nipple (C) and tighten.
4. Please refer to the hanging instruction sheet (I.S. 19) provided to continue installation of this fixture. Then refer back to this sheet to install fixture glass.

**Drawing 2 - Glass Installation**



**3**

1. To install glass, unscrew socket ring (5) from socket (D) - see **Drawing 2**.
2. Slip glass (6) over socket (D).
3. Thread socket ring (5) onto socket (D) and tighten to secure glass.
4. Repeat steps 1-3 for remaining.
5. Fixture can now be lamped accordingly.

Note: Maximum wattage for 4343 fixture is 100 watts per bulb.

2.7.08