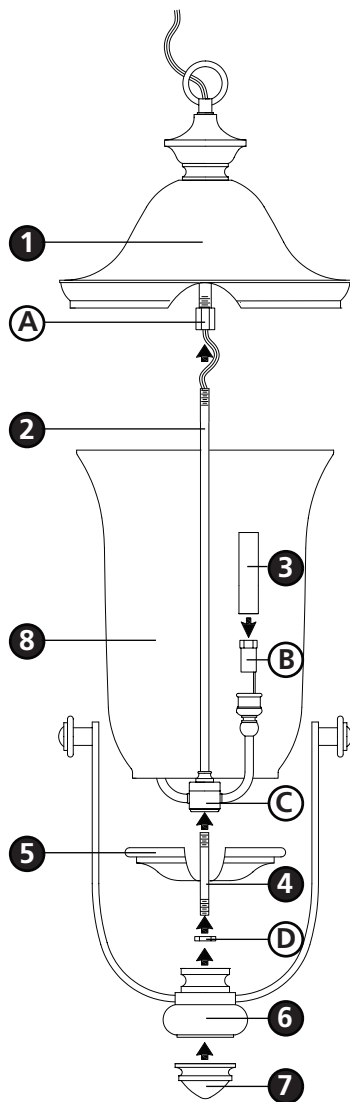


Family: Mariner | Item No. 2532 RZ



Drawing 1 - Fixture Assembly



▼ start here

1

1. Find a clear area in which you can work.
2. Unpack fixture and glass from carton.
3. Carefully review instructions prior to assembly.

***** The construction of this fixture will be accomplished by first assembling the main body of the fixture, making all necessary electrical connections, hanging the fixture from the ceiling, and then installing the glass.**

SAFETY WARNING: READ WIRING AND GROUNDING INSTRUCTIONS (I.S. 18) AND ANY ADDITIONAL DIRECTIONS. TURN POWER SUPPLY OFF DURING INSTALLATION. IF NEW WIRING IS REQUIRED, CONSULT A QUALIFIED ELECTRICIAN OR LOCAL AUTHORITIES FOR CODE REQUIREMENTS.

2

1. To assemble main body, thread wire through center tube (2).
2. Thread center cluster assembly (2) into coupler (A).

3

1. Please refer to the hanging instruction sheet (I.S. 19) provided to hang this fixture. Then refer back to this sheet to install the glass.

4

1. To install glass, slip candle sleeve (3) over socket (B).
2. Fixture can now be lamped accordingly.
3. Remove hex nut (D) from nipple (4).
4. Thread nipple (4) into base of center cluster assembly (C) approximately 1/4".
5. For the following steps assistance is recommended.
6. Slip glass (8) onto fixture and hold in place.
7. Slip base plate (5) onto nipple (4) and hold in place.
8. While holding these pieces in position, thread hex nut (D) onto nipple (4) and tighten against base plate (5).
Note: Over tightening could cause damage to glass.
9. Slip yoke assembly (6) over nipple (4) and thread on finial (7).

Note: Maximum wattage for 2532 fixture is 40 watts per bulb.

2.7.08