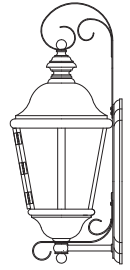
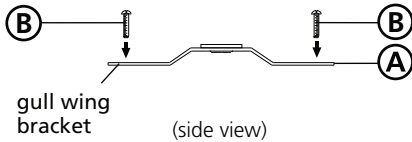


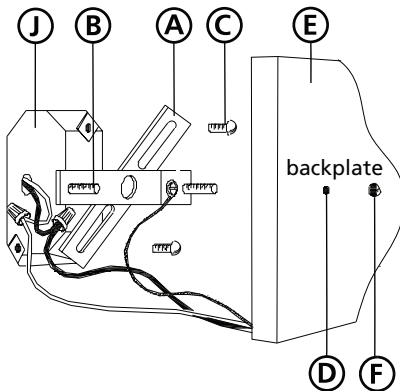
Family: Edgewater | Item No. 1680 MR



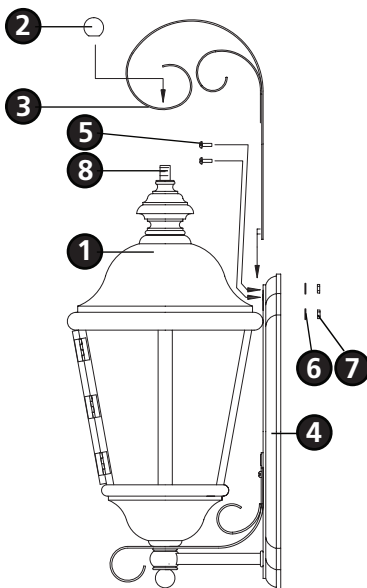
Drawing 1 - Strap Detail



Drawing 2 - Fixture Mounting



Drawing 3 - Fixture Assembly



▼ start here

1

1. Find a clear area in which you can work.
2. Unpack fixture and glass from carton.
3. Carefully review instructions prior to assembly.

***** The construction of this fixture will be accomplished by first attaching scroll to fixture, mounting the mounting strap to the junction box, making all necessary electrical connections, mounting the fixture to the wall, and then assembling the main body of the fixture.**

2

1. Remove ball knob (2) from top of fixture body (1) - see **Drawing 3**.
2. Line up the two holes in the base of scroll (3) with the two holes in the top of backplate (4) and slip screw (5) through holes.
3. Slip lockwasher (6) onto end of screw (5).
4. Thread hex nut (7) onto end of screw (5) but do not tighten at this time.
5. Slip large hole in top of scroll (3) over threaded tubing (8).
6. Thread ball knob (2) onto threaded tubing (8) and tighten.
7. Align scroll so it is vertical and tighten hex nuts (7) on the end of screws (5).

3

1. Prepare mounting strap (A) by threading the two 1 1/4" long mounting screws (B) into the back of the gull wing bracket - see **Drawing 1**.
 - Be sure the holes into which the screws are threaded match the spacing of holes (D) located in the back plate (E) - see **Drawings 1 and 2**.
2. Slide backplate (E) over screws (B) and secure with ball knobs (F).
3. Attach mounting strap (A) to junction box (J) using two 1" screws (C) provided - see **Drawing 2**.

SAFETY WARNING: READ WIRING AND GROUNDING INSTRUCTIONS (I.S. 18) AND ANY ADDITIONAL DIRECTIONS. TURN POWER SUPPLY OFF DURING INSTALLATION. IF NEW WIRING IS REQUIRED, CONSULT A QUALIFIED ELECTRICIAN OR LOCAL AUTHORITIES FOR CODE REQUIREMENTS.

4

1. Make electrical connections from supply wire to fixture lead wires. Refer to instruction sheet (I.S. 18) and follow all instructions to make all necessary wiring connections.

Note: Maximum wattage for 1680 fixture is 100 watts per bulb.

4.2.08