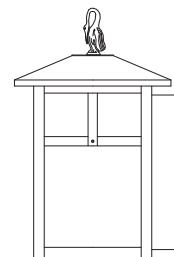
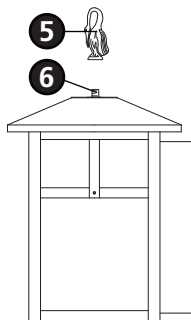


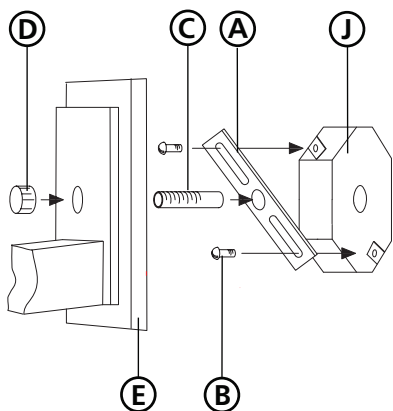
Family: Pueblo | Item No. 1194 SN



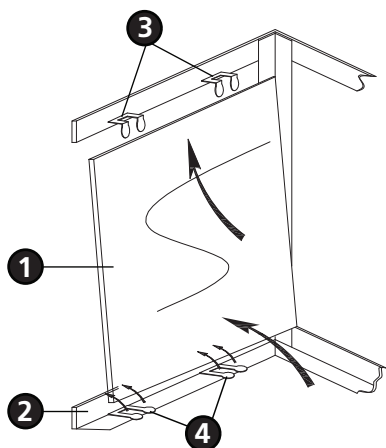
Drawing 1 - Fixture Assembly



Drawing 2 - Fixture Mounting



Drawing 3 - Fixture Assembly



▼ start here

1

1. Find a clear area in which you can work.
2. Unpack fixture and glass from carton.
3. Carefully review instructions prior to assembly.

***** The construction of this fixture will be accomplished by first mounting the mounting strap to the junction box, making all necessary electrical connections, mounting the fixture to the wall and then installing the glass.**

2

1. Thread decorative finial (5) onto nipple (6) - see **Drawing 1**.

3

1. Prepare mounting strap (A) by threading 1-5/8" nipple into the center hole of the mounting strap (A), approximately 1/4" - see **Drawing 2**.
2. Attach mounting strap (A) to junction box (J) using two 1" screws (C) provided.

SAFETY WARNING: READ WIRING AND GROUNDING INSTRUCTIONS (I.S. 18) AND ANY ADDITIONAL DIRECTIONS. TURN POWER SUPPLY OFF DURING INSTALLATION. IF NEW WIRING IS REQUIRED, CONSULT A QUALIFIED ELECTRICIAN OR LOCAL AUTHORITIES FOR CODE REQUIREMENTS.

4

Make electrical connections from supply wire to fixture lead wires. Refer to instruction sheet (I.S. 18) and follow all instructions to make all necessary wiring connections. Then refer back to this sheet to continue installation of this fixture.

5

1. To mount fixture, slip center hole of backplate (E) over nipple (C) and hold fixture in position - see **Drawing 2**.
2. Thread decorative knob (D) onto end of nipple (C) and tighten to secure fixture.

6

1. To install glass, slip glass panel (1) through bottom of cage assembly (2) - see **Drawing 3**.
2. Slip top of glass panel (1) under top glass clips (3).
3. Slip bottom of glass panel (1) into the bottom of the cage assembly (2).
4. Bend lower glass clips (4) up to retain glass panels (1).
5. Repeat steps 1-4 for remaining panels.
6. Fixture can now be lamped accordingly.

Note: Maximum wattage for 1194 fixture is 100 watts per bulb.

9.12.08