

INSTALLATION INSTRUCTION FOR P991-084

WARNING! SHUT POWER OFF AT FUSE OR CIRCUIT BREAKER .
AVERTISSEMENT! COUPER LE COURANT AU NIVEAU DES FUSIBLES OU DU DISJONCTEUR.

READ AND SAVE THESE INSTRUCTIONS

PREPARATION

1. Shut off the power at the fuse box or circuit breaker box. If necessary, remove the old fixture and all mounting hardware from junction box.
2. Carefully unpack your new fixture and lay out all the parts on a clear area. Take care not to lose any parts necessary for installation.

ASSEMBLING THE FIXTURE(Fig.1)

3. Align metal plate (K) over nipple (L).
4. Determine the desired hanging height and install the stems (G, H, I, J) onto nipple (L). Carefully pass the wires through each rod during assembly. Remove the nipple when assemble with only one 6" or 12" rod.
5. Loosen screws (D) (Size: #5-32*0.4"L) to separate the canopy (C) from the mounting plate (A).
6. Slip canopy (C) over rods (G, H, I, J) and allow it to rest on the fixture body. Thread nipple (F) into rod (G).

MOUNTING THE FIXTURE (Fig.1)

7. Raise the mounting plate (A) to the junction box (not provided), and secure with junction box screws (B) (Size: #8-32*0.6"L).
8. Install the fixture body into the mounting plate (A) by tilting at a slight angle so that the hanger ball (E) slips into the mounting plate (A) as shown. Align the notch in the hanger ball (E) to the tab on the mounting plate (A) to prevent the fixture from turning.

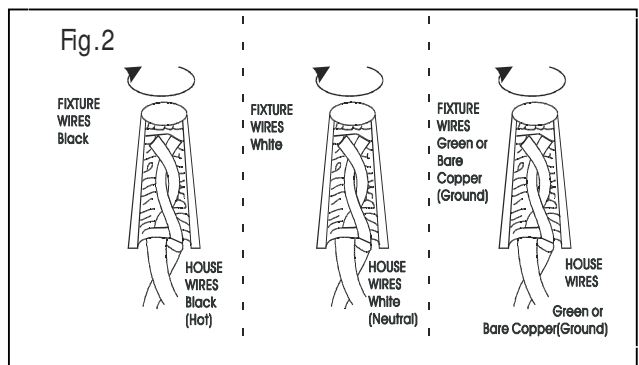
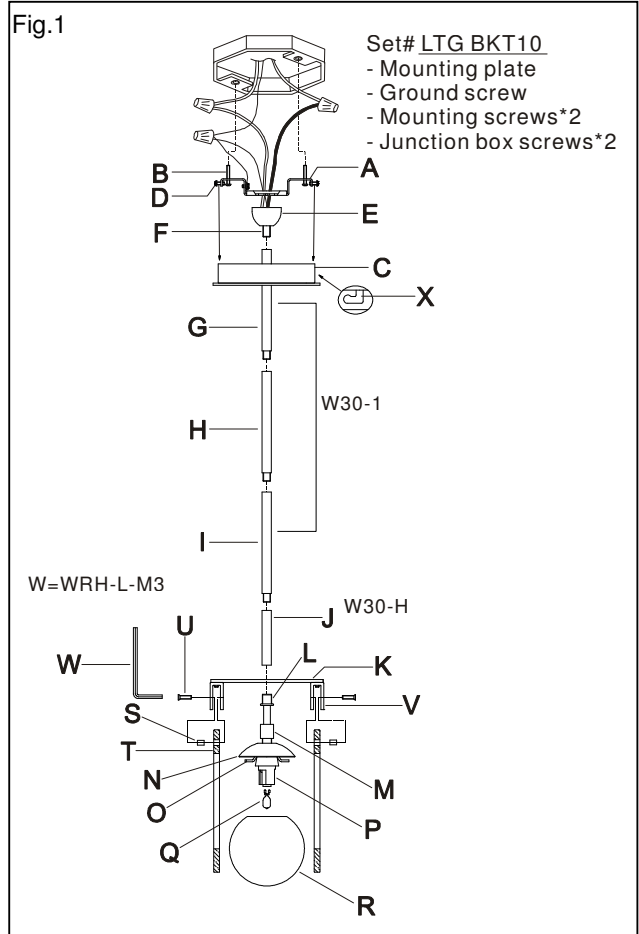
CONNECTING THE WIRES (Fig.2)

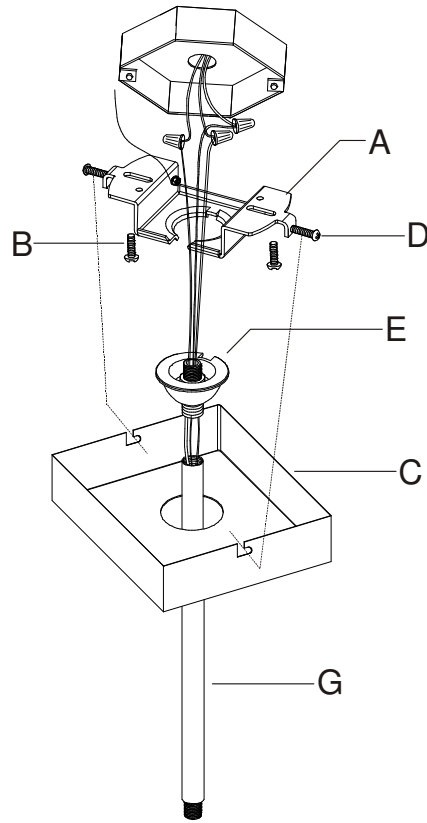
9. At this point, connect the electrical wires as shown in figure 2, making sure that all wire connectors are secured. If your outlet has a ground wire (green or bare copper), connect the ground wires from the hanger ball and mounting plate to it. Otherwise, connect the ground wire from the hanger ball directly to the mounting plate ground wire and secure with the wire connectors provided. After wires are connected, tuck them carefully into the ceiling junction box.

COMPLETING THE INSTALLATION (Fig. 1)

10. Align canopy (C) to mounting plate (A) and secure with mounting screws (D) into slots (X).
11. Install the light bulb (Q) (Supplied) in accordance with the fixture's specifications. **(DO NOT EXCEED THE SPECIFIED WATTAGE!) (NE PAS DEPASSER LA PUISSANCE NOMINALE MAXIMALE!)**
12. Loosen coupling (M), and slide cup (N) away from the socket.
13. Place glass (R) over socket (P) and glass holder (O). Tighten coupling (M) to secure cup (N) against glass (R).
14. Place glass spacers (S) into the holes of glass plate (T).
15. Align glass plate (T) into bracket (V) and secure with screws (U) via the wrench provided (W).

Your installation is now complete. Return power to the outlet box and test the fixture.





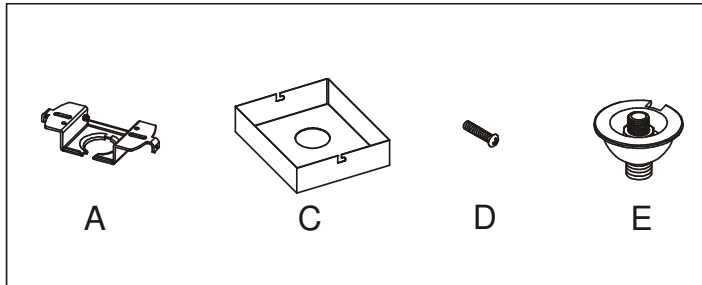
a. Hardware Bag:

A. Mounting Plate*1

C. Canopy*1

D. Screw*2

E. Hanger Ball*1



b. Hardware Bag:

G、H、I. Rod 12''*3

J. Rod 6''*1

