

# INSTALLATION INSTRUCTIONS

Item#P934-688-L (New. 02/29/2020)

**READ AND SAVE THESE INSTRUCTIONS**

**WARNING! SHUT POWER OFF AT FUSE OR CIRCUIT BREAKER.**

**AVERTISSEMENT! COUPER LE COURANT AU NIVEAU DES FUSIBLES OU DU DISJONCTEUR.**

## MOUNTING THE FIXTURE (Fig. 1)

1. Shut off the power at the fuse box or circuit breaker. If necessary, remove the existing fixture and its mounting hardware from the ceiling.
2. Carefully remove the new fixture from the carton and check that all parts are included as shown in the illustration.
3. Thread the screws (E) into the pre-drilled holes of the circular strap (A) spaced the same distance apart as the holes in the canopy (C) of the fixture body.
4. Attach the circular strap (A) to the outlet box using the two mounting screws (B) (size: #8-32N\*L0.5"). The side of the circular strap marked "GND" must face out.
5. Remove metal screw (I) from metal bushing (H). Determine the desired hanging height by pushing or pulling the cord through the center of metal bushing (H). Ensure the cord has no less than 4" exposed.
6. Secure the cord by tightening metal screw (I) into the metal bushing (H). Cut excess wire leaving about 5" of the cord for the electrical connections.
7. Carefully cut and remove approximately 4" of the outer sheathing from the cord and strip 1/2" of the wire ends bare to expose the copper strands.

## CONNECTING THE WIRES (Fig. 2)

8. Connect the electrical wires as shown in Fig. 2, making sure that all wire connectors are secured. If your outlet has a ground wire (green or bare copper), connect the fixture's ground wire to it. Otherwise, connect the fixture's ground wire directly to the circular strap (A) using the green screw provided.
9. Tuck the wire connectors neatly into the ceiling junction box.

## COMPLETING THE INSTALLATION (Fig. 1)

10. Raise the canopy (C) and slide screws (E) through canopy (C) and secure with knurled knobs (D).

## Replacing LED module (Fig. 3)

The LED module can be replaced by a qualified electrician without cutting of wire and without damage to any decorative element to which the fixture is attached. See installation steps for more details (Fig 3.)

- a. Shut off the power.
  - b. Remove the knurled knobs (D) and remove the wire connectors and place fixture body on a clean flat surface.
  - c. Loosen screws (K) and remove fixture body (J).
  - d. Loosen the screws (O) and remove the lens (N).
  - e. Press the button of the printed "L" quick connector on LED module (M) with screwdriver (not included) to disconnect the black wire and then disconnect the white wire from the printed "N" quick connector on LED module (M).
  - f. Loosen plastic screws (F) and remove the LED module (M).
  - g. Reverse steps b-f for installing the new LED module.
- Your installation is now complete. Return power to the outlet box and test the fixture.

**Note: The illustration in figure 1 on this manual is for installation purposes only. It may or may not be identical to the fixture purchased.**

**Dimmable with ELV and/or LED compatible wall dimmer switches.**

**IMPORTANT: FIXTURE SHOULD BE INSTALLED BY A QUALIFIED ELECTRICIAN TO ENSURE PROPER WIRING AND INSTALLATION.**

Fig. 1

Set# A-020  
- Circular strap  
- Ground screw  
- Mounting screw\*2

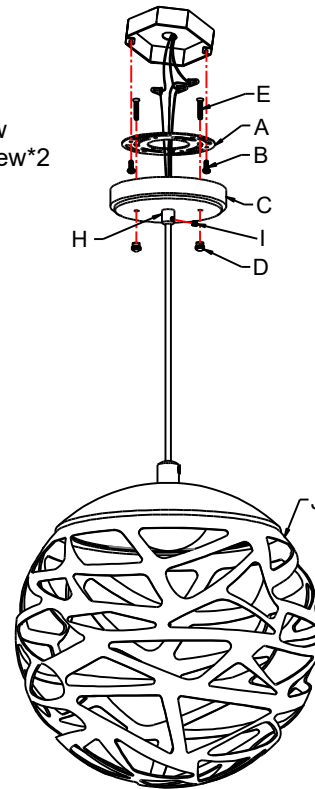


Fig. 2

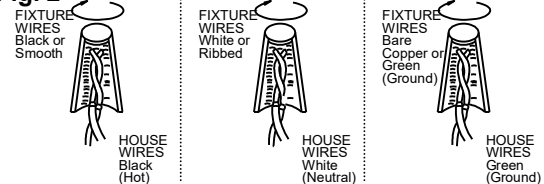


Fig. 3

