

# Installation Instruction

For Table Lamp

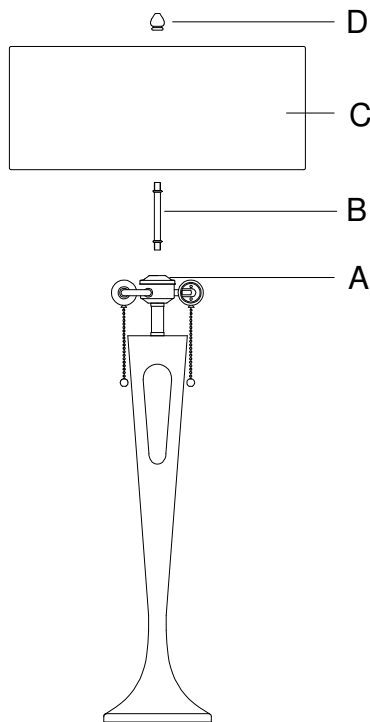
ITEM #: P516-1-615&P516-1-644

## **WARNING**

- \* Risk of shock, do not plug in the unit before assembly.
- \* Do not exceed the maximum wattage rating. (Max.60W). NE PAS DEPASSER LA PUISSANCE NOMINALE MAXIMALE
- \* Before turning on, please follow the instruction manual step by step.

## **INSTALLATION**

1. Fasten support (B) onto socket (A).
2. Install 2 light bulbs (Type A Bulb) into the lamp holder.
3. Place the center ring of the shade (C) onto support (B) and secure with finial (D).
4. Adjust the shade until it is leveled horizontally.



## **IMPORTANT SAFETY INSTRUCTIONS**

This portable lamp has a polarized plug (one blade is wider than the other) as a safety feature to reduce the risk of electric shock. This plug will fit a polarized outlet only one way. If the plug does not fit fully into the outlet, reverse the plug. If it still does not fit, contact a qualified electrician. Never use with an extension cord unless the plug can be fully inserted. Do not change or alter the plug.

IN AN ONGOING EFFORT TO BE ENVIRONMENTALLY FRIENDLY AND IN COMPLIANCE WITH CALIFORNIA TITLE 20 AN ENERGY SAVING COMPACT FLUORESCENT BULB(S) IS INCLUDED. PLEASE NOTE THAT THE LIFE EXPECTANCY OF THE BULB(S) IS NOT GUARANTEED.

