

INSTALLATION INSTRUCTIONS FOR P5041-144

For Wall Mount Fixture

WARNING! SHUT POWER OFF AT FUSE OR CIRCUIT BREAKER .
AVERTISSEMENT! COUPER LE COURANT AU NIVEAU DES FUSIBLES OU DU DISJONCTEUR.

PREPARATION

1. Shut off power at the circuit breaker and 1. remove the old fixture and mounting hardware.
2. Carefully unpack your new fixture and lay out all the parts on a clear area. Take care not to lose any small parts necessary for installation.

MOUNTING THE FIXTURE (FIG. 1)

3. Secure the circular strap to the outlet box (not provided) with the outlet box screws. The side of the circular strap marked "GND" must face out.

CONNECTING THE WIRES (FIG. 2)

4. Connect the electrical wires as shown in Fig. 1, making sure that all wire connectors are secured. If your outlet has a ground wire (green or bare copper), connect the fixture's ground wire to it. Otherwise, connect the fixture's ground wire directly to the crossbar or using the green screw provided.
5. Tuck the wire connections neatly into the wall junction box. Place the canopy over the circular strap and secure with canopy screws provided.

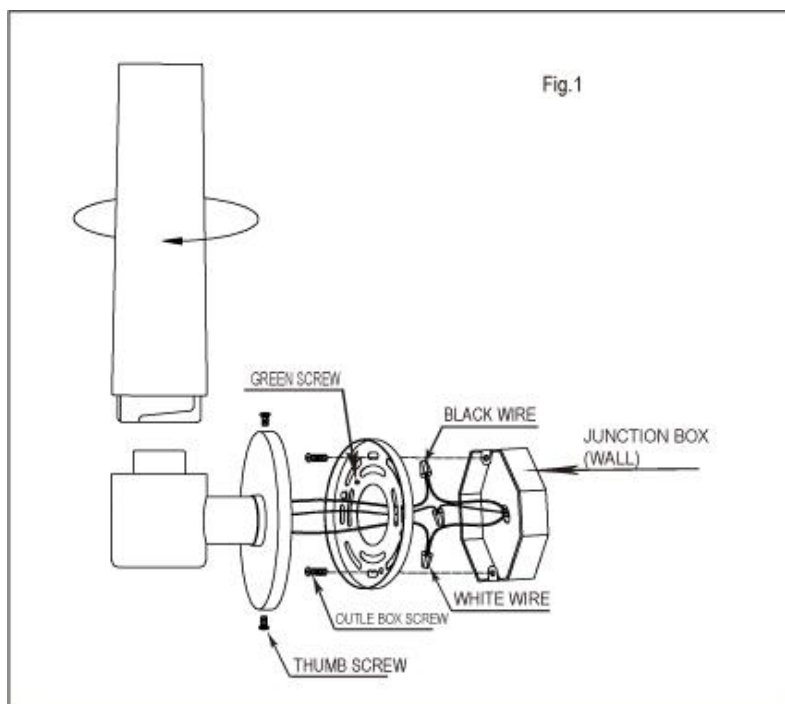
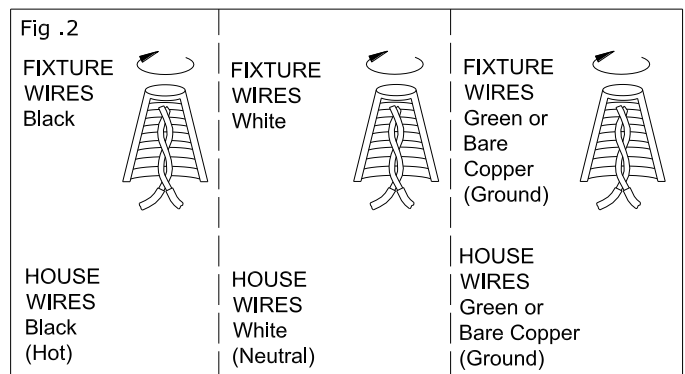
COMPLETING THE INSTALLATION

6. Install the 1*60W T10 bulb(s) (not included) in accordance with the fixture's specification: **DO NOT EXCEED THE MAXIMUM WATTAGE RATING! (NE PAS DEPASSER LA PUISSANCE NOMINALE MAXIMALE!)**

7. Place the glass over the socket and secure by turning clockwise.

Return the power to the junction box and test the fixture. Your installation is now complete.

IMPORTANT: FIXTURE SHOULD BE INSTALLED BY A QUALIFIED ELECTRICIAN TO ENSURE PROPER WIRING AND INSTALLATION.



MIN 75 °C SUPPLY CONDUCTORS

