

# INSTALLATION INSTRUCTIONS

(Rev. 05/10/2012)

## READ AND SAVE THESE INSTRUCTIONS

**WARNING! SHUT POWER OFF AT FUSE OR CIRCUIT BREAKER.**  
**AVERTISSEMENT! COUPER LE COURANT AU NIVEAU DES FUSIBLES OU DU DISJONCTEUR.**

### MOUNTING THE FIXTURE (Fig. 1)

1. Shut off power at the circuit breaker and remove old fixture from wall, including the circular strap.
2. Carefully unpack your new fixture and lay out all the parts on a clear area. Take care not to lose any small parts necessary for installation.
3. Secure Circular Strap (A) using Screw (B) to the Outlet Box. The side of the Circular Strap marked "GND" must face out.

### CONNECTING THE WIRES (Fig. 2)

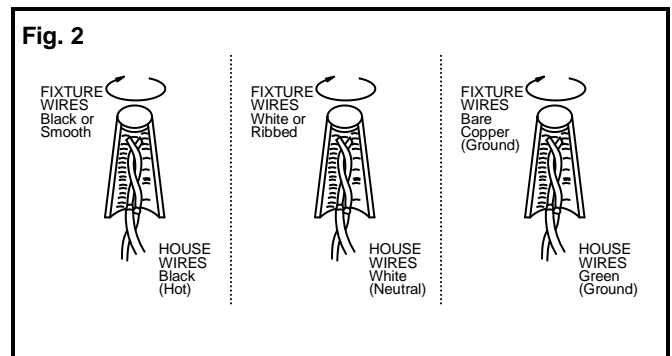
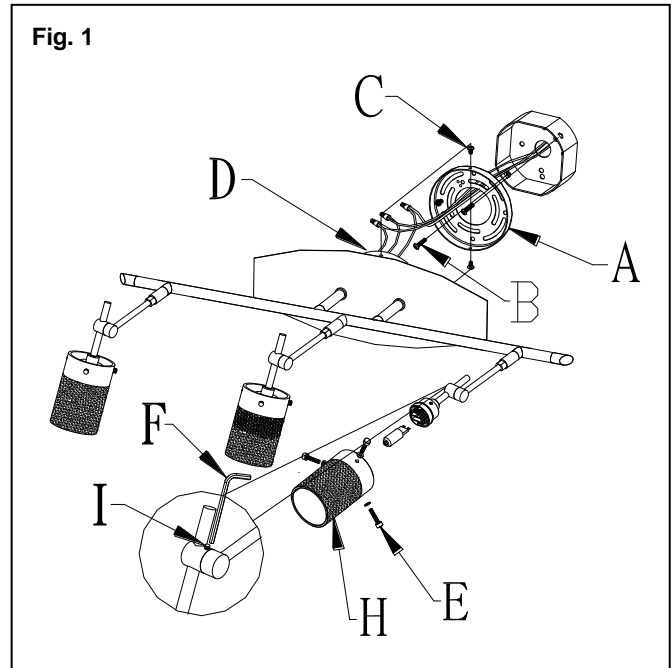
4. Connect the electrical wires as shown in Fig. 2, making sure that all wire connectors are secured. If your outlet has a ground wire (green or bare copper), connect the fixture's Ground Wire to it. Otherwise, connect the fixture's Ground Wire directly to the Circular Strap by using the Green Screw provided.

### FINISHING THE INSTALLATION (Fig. 1)

5. Place Fixture Body (D) over the Circular Strap (A), then secure them tightly with two Screw Studs (C).
6. Install Xenon bulb into socket in accordance with the fixture's specifications. **(DO NOT EXCEED THE MAXIMUM WATTAGE RATING!) (NE PAS DEPASSER LA PUISSANCE NOMINALE MAXIMALE!)**
7. Place glass shade (H) onto the socket, then secure it by three screws (E).
8. For glass shade angle adjustment, loosen the screw (I) by using the provided Allen wrench (F). After adjustment, tighten up the screw (I) again.

Your installation is now complete. Return power to the outlet box and test the fixture.

**Note:** Illustration (Fig. 1) on this manual is for installation purposes only. It may or may not be identical to the fixture purchased.



**IMPORTANT: FIXTURE SHOULD BE INSTALLED BY A QUALIFIED ELECTRICIAN TO ENSURE PROPER WIRING AND INSTALLATION.**