

# Installation Instruction

For Table Lamp  
Model# P304-1-077-L

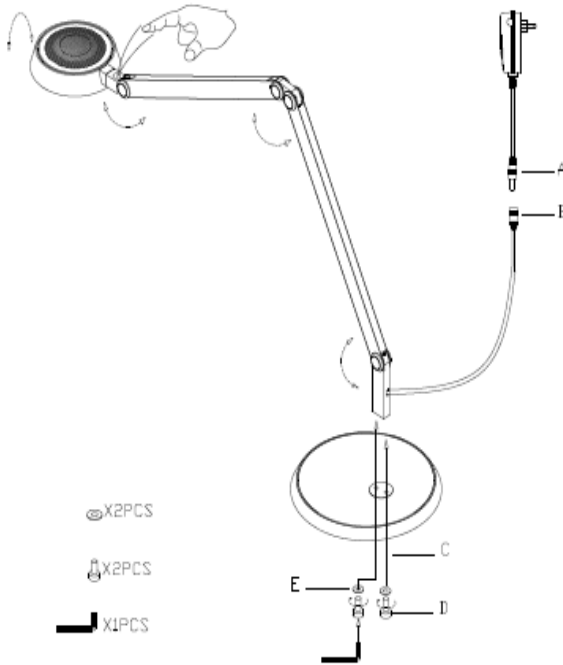


Fig 1

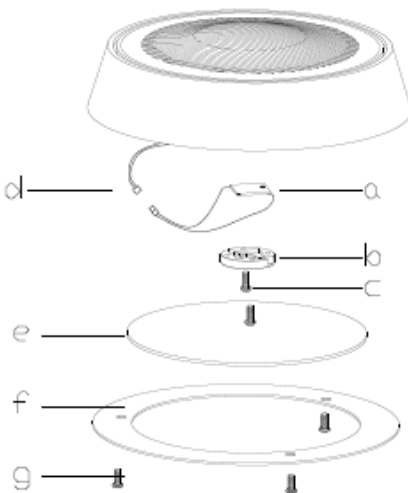


Fig 2

## **WARNING:**

- Risk of shock, do not plug in the unit before assembly is complete.
- Do not exceed the maximum wattage rating. (Ne pas dépasser la puissance nominale maximale!)
- Before turning on, please follow the instruction manual step by step.

## **INSTALLATION**

1. Carefully unpack your new lamp and place all parts on a smooth, flat surface to protect the finish until ready to install.
2. Align the lamp body onto base (C). Secure the lamp body onto base (C) with spring washers (E) followed by allen screws (D) via the allen wrench provided.
3. Connect the power adapter (A) to connector (B).
4. Plug into power outlet and test your new fixture. Adjust the arm location as desired.
5. This lamp uses a touch dimmer switch with 3 different brightness settings:  
1<sup>st</sup> touch: On/Low brightness  
2<sup>nd</sup> touch: Medium brightness  
3<sup>rd</sup> touch: Max brightness  
4<sup>th</sup> touch: Off

## **IMPORTANT SAFETY INSTRUCTIONS**

6. Never use with an extension cord unless the plug can be fully inserted.  
Do not change or alter.
7. The LED module can be replaced by a qualified electrician without cutting of wire and without damage to any decorative element to which the fixture is attached. Refer to installation steps for more details.(Fig 2)  
1) Shut off the power and remove cover plate (f) by loosening screws (g) from the lamp head.  
2) Use a screw driver to loosen screws (c) and remove LED cover (b).  
3) Un-plug wire connector (d) to remove LED module (a) for re-lamping.(Note: LED module should be provided by specified supplier.)

**MADE IN CHINA**

**IMPORTANT: FIXTURE SHOULD BE INSTALLED BY A QUALIFIED ELECTRICIAN TO ENSURE PROPER WIRING AND INSTALLATION.**

