

# INSTALLATION INSTRUCTIONS FOR P266-1-XXX-L

**WARNING! SHUT POWER OFF AT FUSE OR CIRCUIT BREAKER.**

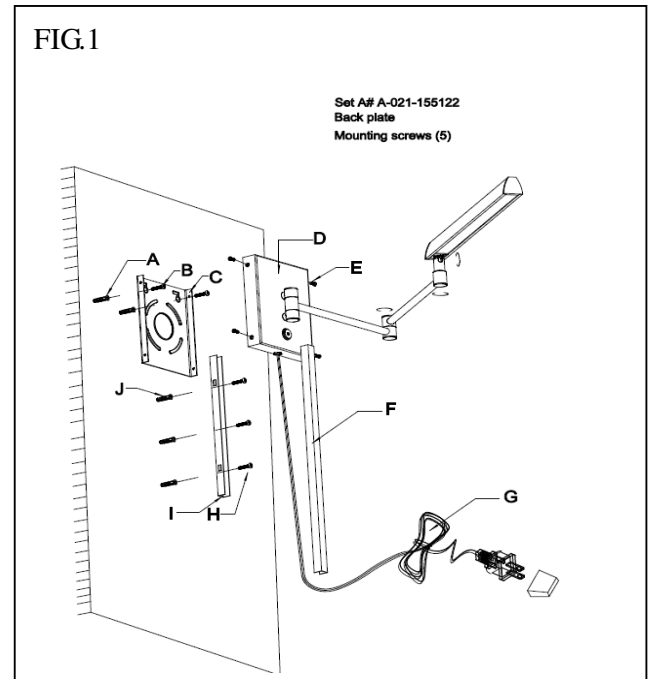
**AVERTISSEMENT ! COUPER LE COURANT AU NIVEAU DES FUSIBLES OU DO DISJONCTEUR.**

## WARNING

- Risk of shock, do not plug in the unit before assembly.

## MOUNTING FOR PLUG VERSION (Fig.1), FOR HARDWARE VERSION (Fig.2)

1. Carefully unpack your new fixture and lay out all the parts on a clear area. Take care not to lose any small parts necessary for installation.
2. Use the “key holes” located on the mounting plate (C) as a template to mark the location of plastic anchors (A) and pre-drill two holes.
3. Install the plastic anchors (A) into the wall.
4. Align the “key holes” on mounting plate (C) to the plastic anchors (A) and secure with screws (B).
5. Align fixture body (D) to mounting plate (C) and secure with screws (E).
6. Install the cord cover bracket (I) with the screws (H) and plastic anchors (J). Fix cord (G) into bracket (I), and snap cord cover (F) onto the bracket (I).



## IMPORTANT SAFETY INSTRUCTIONS

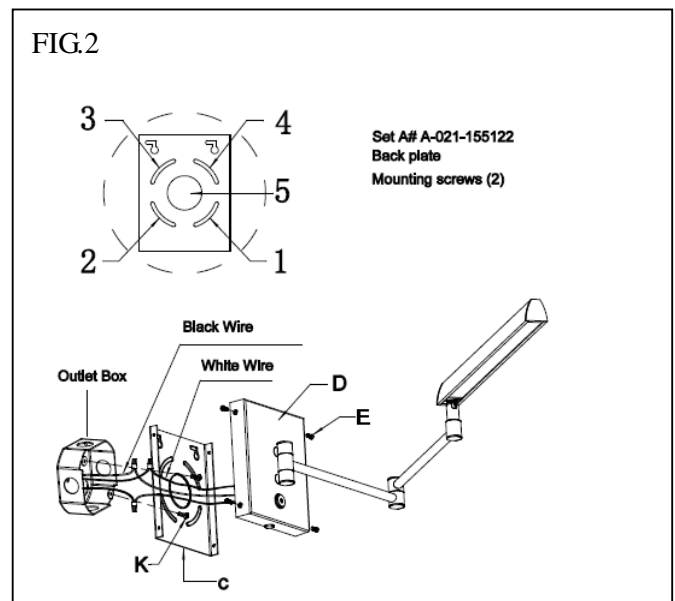
This portable lamp has a polarized plug (one blade is wider than the other) as a safety feature to reduce the risk of electric shock. This plug will fit in a polarized outlet only one way. If the plug does not fit fully in the outlet, reverse the plug. If it still does not fit, contact a qualified electrician. Never use with an extension cord unless plug can be fully inserted. Do not alter the plug.

## MOUNTING FOR HARDWARE VERSION (Fig.2)

1. Shut off power at the circuit breaker and remove old fixture from wall, including the crossbar.
2. Remove the cord and plug by disconnecting the wire nuts to the cord (CAUTION/ATTENTION : CAN NOT RETURN TO PLUG VERSION ONCE THE CORD AND PLUG HAVE BEEN REMOVED).
3. Remove tabs (1,2,3,4, and 5 ) from mounting plate (C) with a screwdriver or hammer.
4. Secure mounting back plate (C) to the outlet box using junction box screws (K).

## CONNECTING THE WIRES (FIG. 3)

5. At this point, connect the electrical wires as shown in Fig. 2, making sure that all wire connectors are secured. If your outlet has a ground wire (green or bare copper), connect the fixtures ground wire to it. Otherwise, connect the fixture ground wire directly to the mounting plate (C) using the green screw provided. After wires are connected, tuck them carefully inside the junction box.
6. Align fixture body (D) onto mounting back plate (C) and secure with screws (E) (Size: 'M4\*8MM).



**IMPORTANT :** Fixture should be installed by a qualified electrician to ensure proper wiring and installation.

### Replacing LED module (Fig. 4)

The LED module can be replaced by a qualified electrician without cutting of wire and without damage to any decorative element to which the fixture is attached. See installation steps for more details (Fig 4.)

- a. Shut off the power.
- b. Open end cover (L) and remove glass diffuser (N).
- c. Unplug the quick connector (S) located inside fixture bracket (T) to disconnect the led module (P).
- d. Remove screws (O) on bracket (M) and remove wires (R,Q) from LED module (P). Carefully remove the LED module (P) from bracket (M).
- e. Reverse steps b-d for installing the new LED module

Note: The LED module should be provided by a specified supplier.

For better heat dissipation the LED module (P) should be applied with thermal grease when re-lamping.

**IMPORTANT :** Fixture should be installed by a qualified electrician to ensure proper wiring and installation.

**Dimmable with ELV and/or LED compatible wall dimmer switches**

