

INSTALLATION INSTRUCTIONS FOR P1900-077-L

For LED PENDANT

WARNING! SHUT POWER OFF AT FUSE OR CIRCUIT BREAKER.
AVERTISSEMENT ! COUPER LE COURANT AU NIVEAU DES FUSIBLES OU DO DISJONCTEUR.

PREPARATION

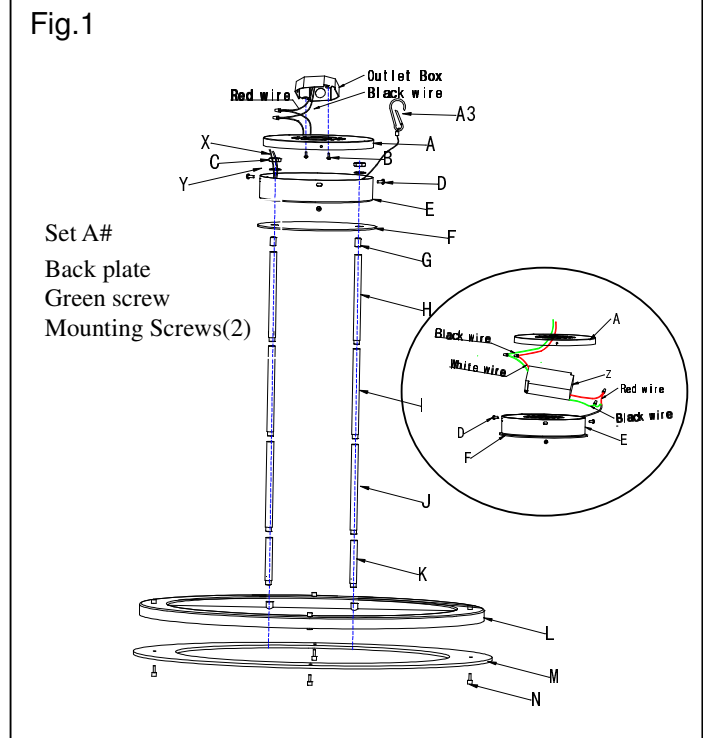
1. Shut off power at the fuse box or circuit breaker box. If necessary remove the old fixture and mounting hardware.
2. Carefully unpack your new fixture and lay out all the parts on a clear area. Take care not to lose any small parts necessary for installation.

MOUNTING THE FIXTURE (FIG. 1/F)

3. Attach mounting plate (A) to the outlet box with junction box screws (B) (Size: #8-32*1/2L).
4. The side of the mounting plate marked "GND" must face out.

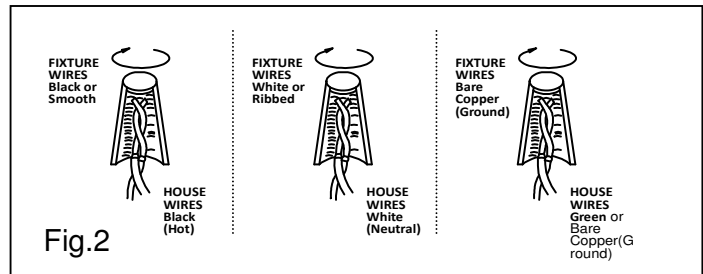
ASSEMBLING THE FIXTURE (FIG.1)

5. Determine the desired hanging height and install rods (H,I,J,K) to main body (L). Carefully pass the wires through each rod during assembly,
6. Thread nipple (G) into rod (H). Align faceplate (F) followed by canopy (E) onto nipple (G).
7. Pass the fixture wires (X) through washer (Y) and secure with hex-nut (C).
8. Connect fixture wires (X) with the output wires on the driver (fixture red wire to driver red wire. Fixture black wire to driver black wire) making sure that all wire connectors are secured Fig.4.



CONNECTING THE WIRES (FIG. 2)

9. Attach the support cable (A3) to mounting plate (A) and carefully allow support cable (A3) to support the weight of the fixture while wiring. (Fig 1)
10. At this point, connect the electrical wires as shown in Fig.2, making sure that all wire connectors are secured. If your outlet has a ground wire (green or bare copper), connect the fixtures ground wire to it. Otherwise, connect the fixture ground wire directly to the mounting plate (A) using the green screw provided. After wires are connected, tuck them carefully inside the junction box.
11. Align canopy (E) over mounting plate (A) and secure with screws (D) (SIZE: 'M4*8MM).



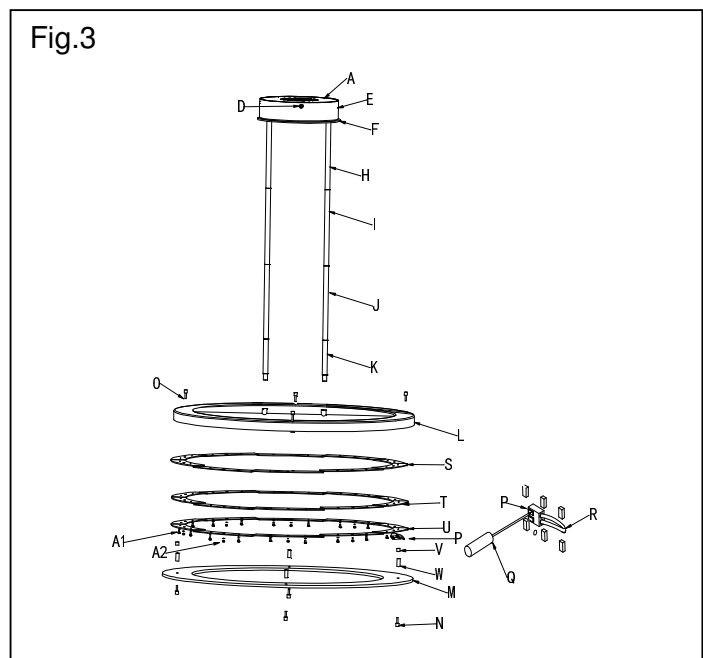
FINISHING THE INSTALLATION (FIG.1)

12. Attach the glass (M) to support studs (W) and secure with screws (N).

CAUTION/ATTENTION:

When handling the fixture, do not apply pressure to the LEDs, Hold the fixture by the base or housing (E) only.

IMPORTANT: Fixture should be installed by a qualified electrician to ensure proper wiring and installation. Dimmable with C-L (CFL & LED) type and Incandescent/Halogen type dimmers.



Replacing LED module (Fig. 3)

Warning: Shut off power off circuit bracket before replacing the LED module.

The LED module can be replaced by a qualified electrician without cutting of wire and without damage to any decorative element to which the fixture is attached. See installation steps for more details (Fig 3.)

- Remove screws (N), and glass shade (M).
- Remove the wires (R) from connector (P) on LED module (U) by lightly pressing on the release button located on the top of the wire connector.
- Loosen screws (A1), hex nut and washers (A2) inside housing (L).
- Remove the support studs (W) from the housing (L).
- Carefully remove hex nuts and washers (A2) to disconnect the LED module (U) from the heat conduction silicon (T) and heat sink (S).
- Reverse steps a-c for installing the new LED module.

Note: The LED module should be provided by a specified supplier.

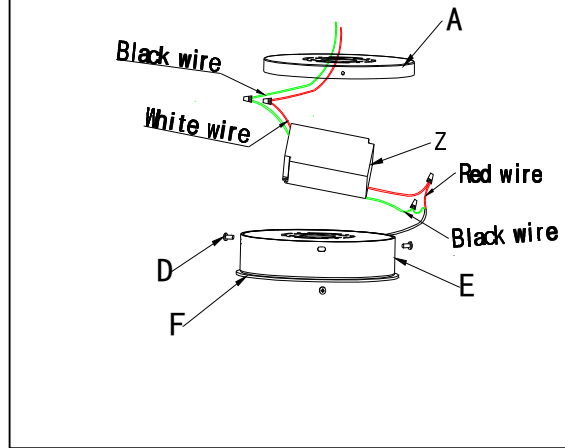
DRIVER REPLACEMENT (Fig.4)

Warning: Shut off power off circuit bracket before replacing the driver.

The driver can be replaced by a qualified electrician without cutting of wires and without damage to any decorative element to which the fixture is attached. See installation steps for more detail (Fig 4.)

- Remove wire nuts and remove the old driver (Z) from canopy (E).
- Remove the film on the double stick tape and attach the new driver into the back plate (A).

Fig.4



MADE IN CHINA

Brand : Lutron

Ordering Information

■ Boxed ● Clamshell

Model number	Product name	Control type	Maximum capacity
■ DVCL-153P-	Niva C-L	Single-pole/3-way dimmer	150 W CFL/LED or 600 W Incandescent/ Halogen 120 V
● DVCL-153PH-			
■ DVSCCL-153P-	Diva C-L Satin Colors		
■ CTCL-153P-			
● CTCL-153PH-	Skylark Contour C-L*		
■ AYCL-153P-			
● AYCL-153PH-			
● TTCL-100H-	Credenza C-L	Single-pole lamp dimmer	100 W CFL/LED or 250 W Incandescent/ Halogen 120 V

Brand : Leviton / Model number : Sureslide 6615