

INSTALLATION INSTRUCTIONS

Item#P1891-613 (Rev. 05/25/2021)

READ AND SAVE THESE INSTRUCTIONS

WARNING! SHUT POWER OFF AT FUSE OR CIRCUIT BREAKER.

AVERTISSEMENT! COUPER LE COURANT AU NIVEAU DES FUSIBLES OU DU DISJONCTEUR.

PREPARATION (Fig.1&Fig. 3)

1. Shut off power at the fuse box or circuit breaker box and remove the old fixture including the mounting hardware.
2. Carefully unpack your new fixture and lay out all the parts in a clean area. Take care not to misplace any small parts necessary for installation.
3. Secure rod (J) onto all thread (I) on fixture body.
4. Determine the desired hanging height and thread rods (F1, F2 and F3) to all thread on rod (J). Screw loop (H1) onto rod (F1). Carefully feed wire through each rod as you assemble.
5. Attach quick link (G) to loop's (H1) and (H2) on canopy (D). Carefully feed wire through loop (H1), quick link (G) and loop (H2).
6. Attach mounting plate (A) to the junction box (Not included) with mounting screws (B) (Size: #8-32N*L0.5"). The side of the mounting plate (A) marked "GND" must face out.

CONNECTING THE WIRES (Fig. 2)

7. Connect the electrical wires as shown in fig 2, making sure that all wire connectors are secured. If your junction box has a ground wire (green or bare copper), connect the fixture's ground wire to it. Otherwise, connect the fixture's ground wire directly to the mounting plate (A) using the green screw provided.
8. Tuck wire connectors neatly into the junction box.

COMPLETING THE INSTALLATION (Fig. 1)

9. Place canopy (D) over mounting plate (A) and secure with screws (E).
10. Install (1) one medium base bulb (K) up to 60 watts each or CFL or LED equivalent (not included) in accordance with the fixture specification—**DO NOT EXCEED THE MAXIMUM WATTAGE RATING! (NE PAS DEPASSER LA PUISSANCE NOMINALE MAXIMALE!)**.

Your installation is now complete. Return power to the junction box and test the fixture.

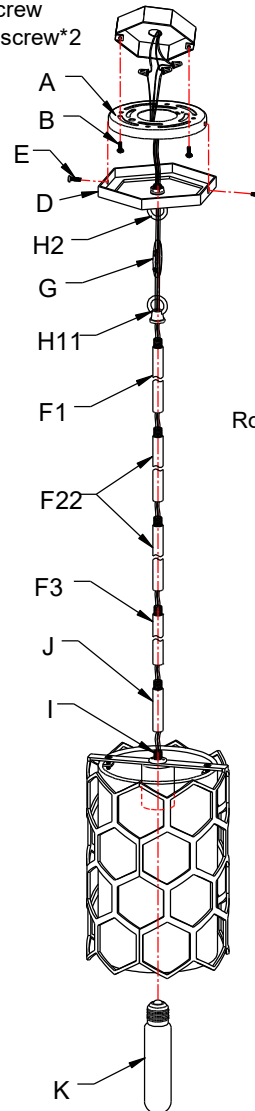
Note: Illustration (Fig. 1) on this manual is for installation purposes only. It may or may not be identical to the fixture purchased.

IMPORTANT: FIXTURE SHOULD BE INSTALLED BY A QUALIFIED ELECTRICIAN TO ENSURE PROPER WIRING AND INSTALLATION.

Fig. 1

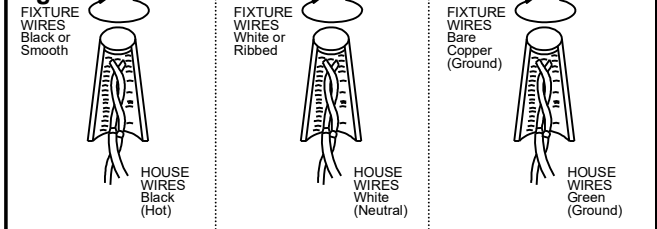
Set#A-021-118DH

- Mounting plate
- Ground screw
- Mounting screw*2



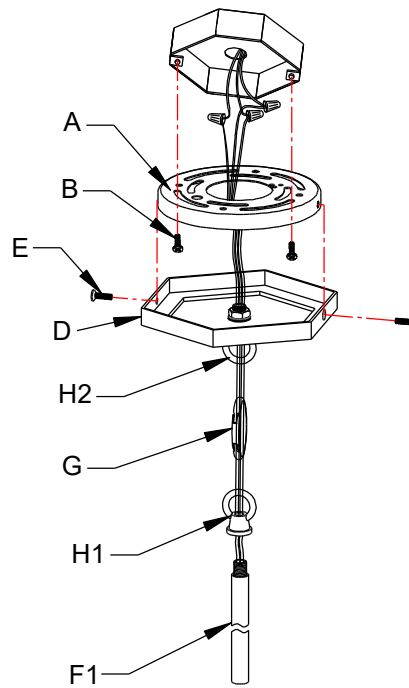
Rod# W30-1-613*1(F1)
W30-1-613*2(F2)
W30-H-613*1(F3)

Fig. 2



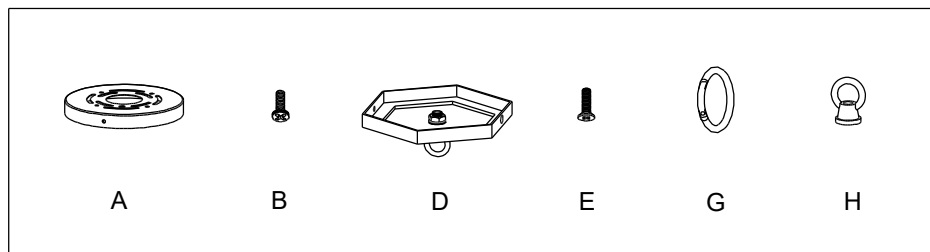
american
lighting
association

Fig.3



a. Hardware Bag:

- A. Mounting Plate *1
- B. Mounting Screw*2
- D. Canopy *1
- E. Screw*2
- G. Quick Link*1
- H. Loop*2



b. Hardware Bag:

- F1. ROD 12"*1
- F2. ROD 12"*2
- F3. ROD 6"*1

