

# INSTALLATION INSTRUCTIONS

Item#P1593-691 (Rev. 2021/05/28)

## READ AND SAVE THESE INSTRUCTIONS

**WARNING! SHUT POWER OFF AT FUSE OR CIRCUIT BREAKER.**  
**AVERTISSEMENT! COUPER LE COURANT AU NIVEAU DES FUSIBLES OU DU DISJONCTEUR.**

### ASSEMBLING THE FIXTURE (Fig. 1)

1. Shut off the power at the fuse box or circuit breaker. If necessary, remove old fixture, including mounting hardware.
2. Carefully remove the fixture from the carton and check that all parts are included as shown in the illustration.
3. Determine the desired hanging height and thread rods (F1, F2 and F3) to all thread (E) of Fixture Body. Attach canopy (C) by screwing onto rod (F1). Carefully pass the wires through each rod during assembly. Note: Remove all thread, if installing with one 6" rod only.
4. Attach mounting plate (A) to junction box (not included) with mounting screws (B) (Size: #8-32N\*L0.5"). The side of the mounting plate (A) marked "GND" two convex points must face out.

### CONNECTING THE WIRES (Fig. 2)

5. Connect the electrical wires as shown in fig 2, making sure that all wire connectors are secured. If your junction box has a ground wire (green or bare copper), connect the fixture's ground wire to it. Otherwise, connect the fixture's ground wire directly to the mounting plate (A) using the green screw provided.
6. Tuck the wire connectors neatly into the junction box.

### FINISHING THE INSTALLATION (Fig.1)

7. Slide canopy (C) over mounting plate (A) and secure with screws (D).
8. Install (3) three candelabra base bulbs (H) up to 60 watts each or CFL or LED equivalent (not included) in accordance with the fixture specification. — **DO NOT EXCEED THE MAXIMUM WATTAGE RATING! (NE PAS DEPASSER LA PUISSANCE NOMINALE MAXIMALE!)**
9. Place metal shade (J) into holder (G) and secure shade assembly by adjusting each support rod (I) in holder.

Your installation is now complete. Return power to the junction box and test the fixture.

**Note: Illustration (Fig. 1) on this manual is for installation purposes only. It may or may not be identical to the fixture purchased.**

**IMPORTANT: FIXTURE SHOULD BE INSTALLED BY A QUALIFIED ELECTRICIAN TO ENSURE PROPER WIRING AND INSTALLATION.**

Fig. 1

Set# **A-021-118DH**

- Mounting plate
- Ground screw
- Mounting screw\*2

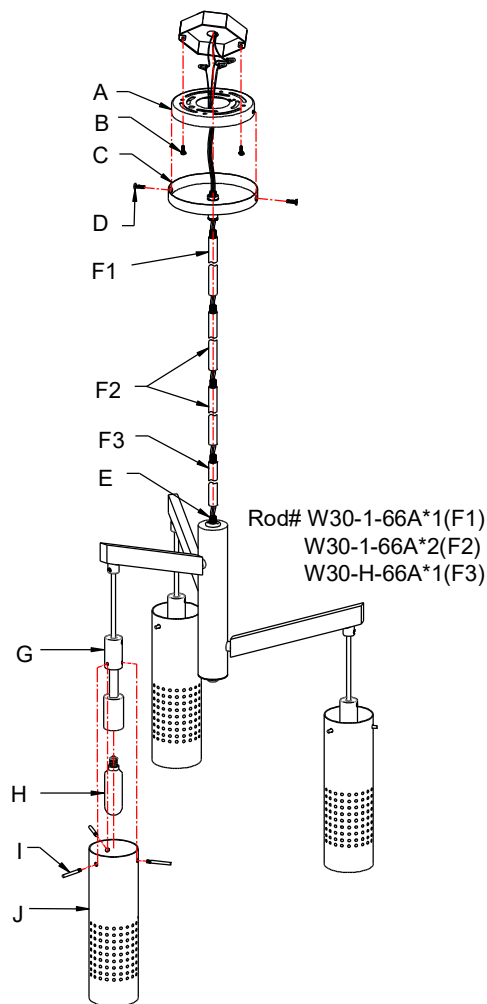
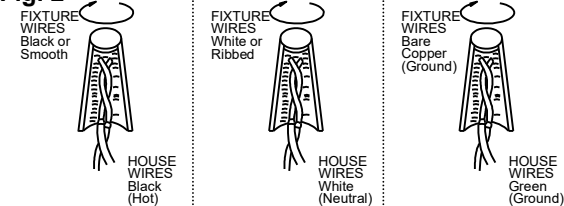


Fig. 2



LA-3410E

