

Belton & Morill Flush Mount

7714502, 7727802 1.1

GENERATION LIGHTING

CEILING

CAUTION - RISK OF FIRE

This product must be installed in accordance with the applicable installation code by a person familiar with the construction and operation of the product and the hazards involved.

Use minimum 90°C supply conductors.

GENERAL PRODUCT INFORMATION:

These fixtures are intended to be installed utilizing NEC compliant junction boxes.

This product is safety listed for damp locations.

Incandescent version may be dimmed with a standard incandescent dimmer. LED version may be dimmed with a LED dimmer. Consult lamp manufacturer for additional information.

This instruction shows a typical installation.

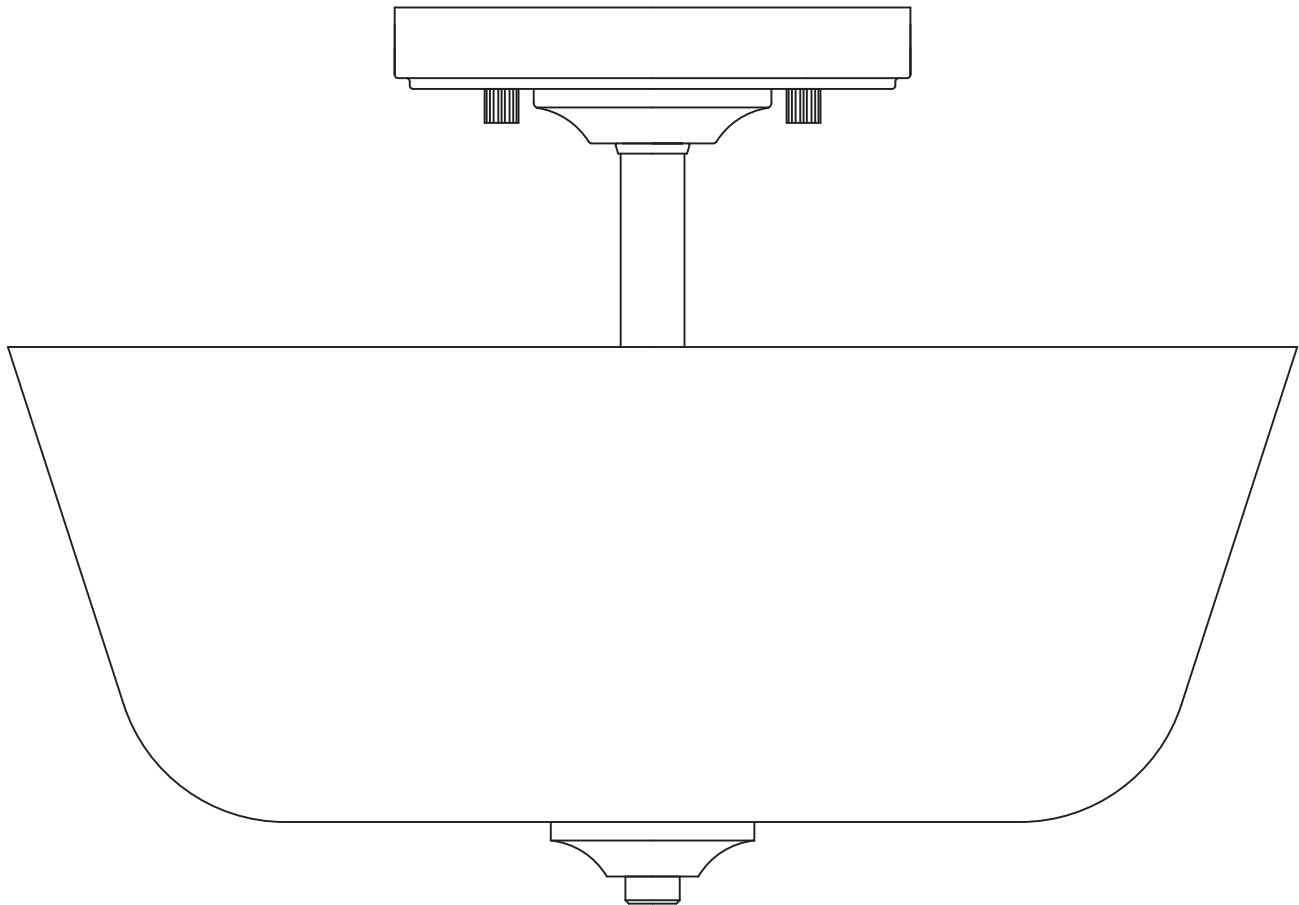
GENERATION LIGHTING

7400 Linder Ave, Skokie, IL 160077

800.969.3347

www.generationlighting.com

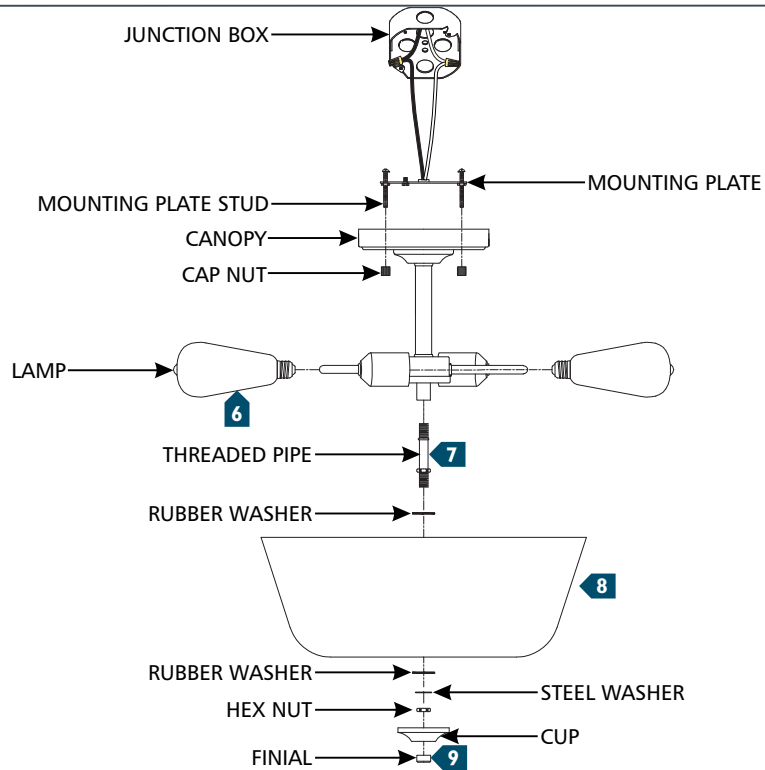
© 2020 Generation Lighting. All rights reserved.
The "Generation Lighting" graphic is a registered trademark of Generation Lighting. Generation Lighting reserves the right to change specifications for product improvements without notification.



SAVE THESE INSTRUCTIONS!

Install the Fixture

IA



- 1** Secure the mounting plate to the junction box.
- 2** Connect the fixture to a suitable ground in accordance to local electrical codes.
- 3** Connect the white fixture wire (square and/or rigid) to the neutral power line wire with a wire nut.
- 4** Connect the black fixture wire (round and/or smooth) to the hot power line wire with a wire nut.
- 5** Align, then place the fixture onto the mounting plate studs and secure it with the two cap nuts.
- 6** Screw the lamps into the sockets. Refer to the label on the socket for Max Wattage information.
- 7** Screw the threaded pipe to the bottom of the socket assembly.
- 8** Place a rubber washer, the shade, rubber washer, and steel washer onto the threaded pipe (in that order), then secure them in place by screwing the hex nut onto the pipe.
- 9** Place the cup onto the threaded pipe and secure it in place by screwing the finial onto the pipe.