



# LEDP AREA LIGHTS AL-17-LEDP SERIES



**TYPE**

## SPECIFICATIONS

**CONSTRUCTION:** Cast aluminum or cast brass China Hat; matching extruded aluminum or brass stanchion with fixed LED heat sink hub

**LENS:** High impact clear acrylic

**LIGHT SOURCE:** 12v, 4w 300 lumen integrated round LED flat panel, warm white 3000K; optional cool white 5200K 320 lumen available (modify part number to "LEDP52")

**LIFETIME RATING:** 50,000 hours

**12V INTERNAL DRIVER:** 4w 350mA output, 12v AC input. Voltage range of 9 to 18 volts with optimum operating range of 10 to 15 volts for consistent performance and brightness. For use with magnetic transformers only.

**SOCKET:** None - LED is hard wired inside fixture

**WIRING:** Black 3 foot 18/2 zip cord from base of fixture (12v only)  
For 25 foot 16/2 fixture lead wire add -25F to catalog number.

**CONNECTION:** FA-05 Quick Connector (not supplied) from fixture to main cable (12/2, 10/2 or 8/2 only) 12v only

**MOUNTING:** FA-03 black 9" ABS stake, tapped 1/2" NPS

**FINISH:** Aluminum-Black texture polyester powder coat. Optional finishes available. Brass-Unfinished brass. Optional finishes available.

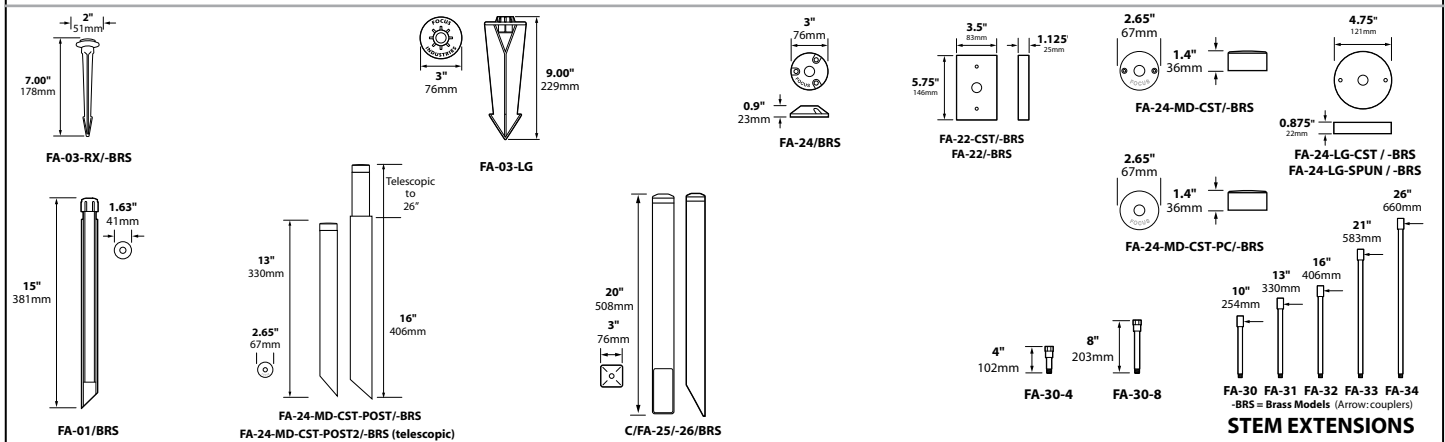
**NOTE:** 120v - 277v options available with remote LED driver. Must use FA-26 mounting post or FA-JBOX junction box to house remote driver.



4w LED Panel integrated into heat sink hub



## MOUNTING ACCESSORIES



## ORDERING INFORMATION

CATALOG NO.	DESCRIPTION	LAMP	SHIP WEIGHT
AL-17-LEDP-BLT	Cast Aluminum 8" China Hat	4w LED Panel	3.0 lbs.
AL-17-LEDP-BRS	Cast Brass 8" China Hat	4w LED Panel	6.0 lbs.
AL-17-SMLEDP-BLT	Cast Aluminum 5.5" China Hat	4w LED Panel	2.0 lbs.
AL-17-SMLEDP-BRS	Cast Brass 5.5" China Hat	4w LED Panel	3.0 lbs.
AL-17-SM2LEDP-BLT	Cast Aluminum 5.5" China Hat	4w LED Panel	2.0 lbs.
AL-17-SM2LEDP-BRS	Cast Brass 5.5" China Hat	4w LED Panel	3.0 lbs.

## JOB INFORMATION

Type: \_\_\_\_\_ Date: \_\_\_\_\_

Job Name: \_\_\_\_\_

Cat. No.: \_\_\_\_\_

Lamp(s): \_\_\_\_\_

Specifier: \_\_\_\_\_

Contractor: \_\_\_\_\_

Notes: \_\_\_\_\_

**FOCUS INDUSTRIES INC.**  
25301 COMMERCENTRE DRIVE  
LAKE FOREST, CA 92630

[www.focusindustries.com](http://www.focusindustries.com)  
[sales@focusindustries.com](mailto:sales@focusindustries.com)  
(949) 830-1350 • FAX (949) 830-3390

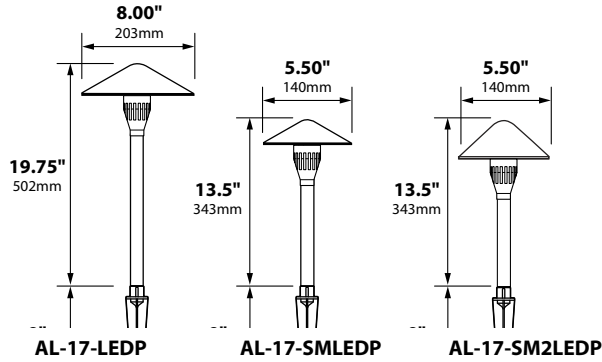
Black Texture (Standard)	Antique Verde	Bronze Texture	Camel	White Texture	Hunter Texture	Rust	Weathered Iron	Weathered Brown	Stucco	Rubbed Verde	Chrome Powder	Acid Rust	Acid Verde	Black Acid Treatment
-BLT	-ATV	-BRT	-CAM	-WTX	-HTX	-RST	-WIR	-WBR	-STU	-RBV	-CPR	-BAR/CAR	-BAV/CAV	-BAT



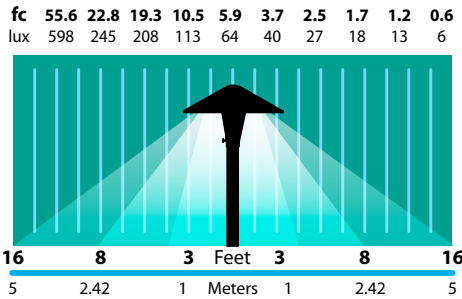
# AREA LIGHTS AL-17-AH SERIES



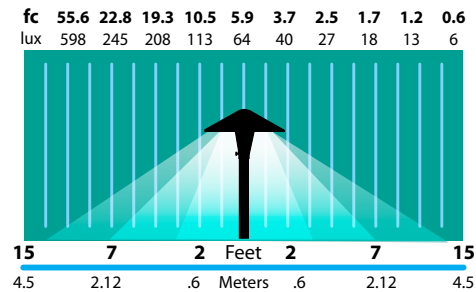
TYPE



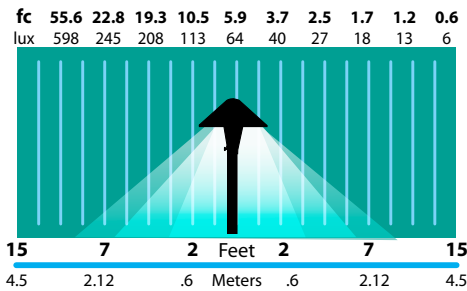
## LIGHT DISTRIBUTIONS AND PHOTOMETRICS



**AL-17-AH**  
Half Spread Photometrics  
32 ft. (9.6m) diameter



**AL-17-SMAH**  
Half Spread Photometrics  
30 ft. (9m) diameter



**AL-17-SM2AH**  
Half Spread Photometrics  
30 ft. (9m) diameter

Black Texture (Standard)	Antique Verde	Bronze Texture	Camel	White Texture	Hunter Texture	Rust	Weathered Iron	Weathered Brown	Stucco	Rubbed Verde	Chrome Powder	Acid Rust	Acid Verde	Black Acid Treatment
-BLT	-ATV	-BRT	-CAM	-WTX	-HTX	-RST	-WIR	-WBR	-STU	-RBV	-CPR	-BAR/CAR	-BAV/CAV	-BAT