

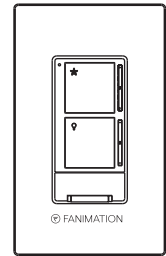
WR501WH Wall Control

SPECIFICATION and INSTRUCTION SHEET

DESCRIPTION: 3-speed ceiling fan control with light dimmer switch and canopy receiver.

ELECTRICAL SPECS: 120V, 60Hz Ceiling Fan

FAN MODELS USED: most Fanimation fans - see catalog or visit our website, fanimation.com for more information



How to Wire and Operate Your Wall Control

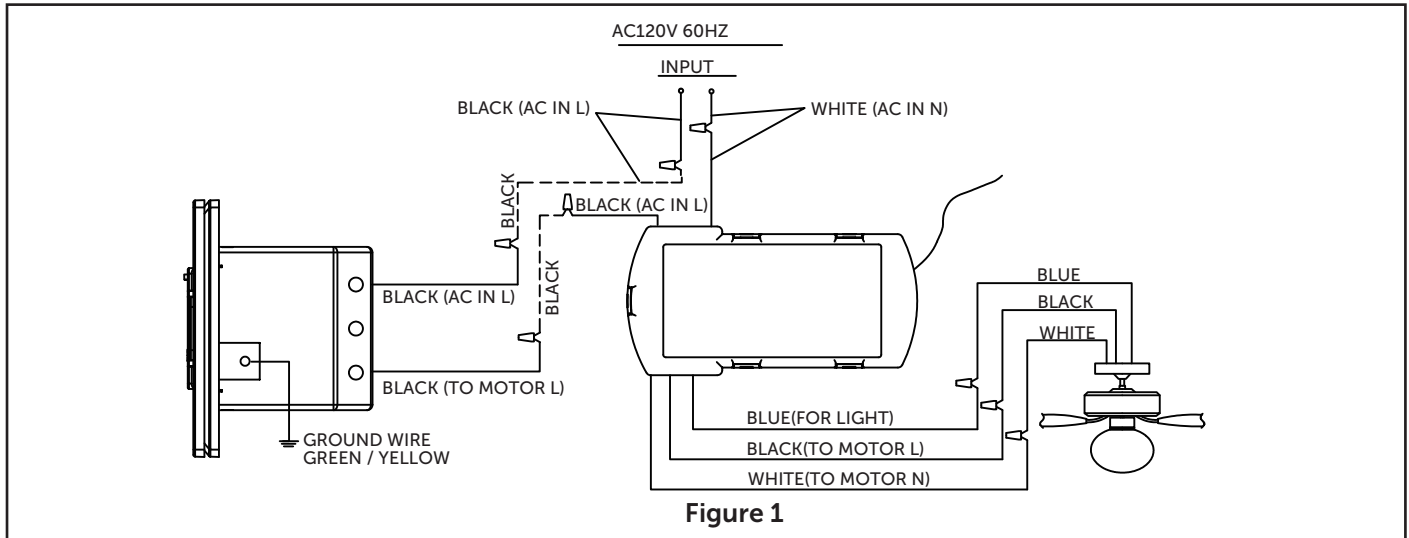


Figure 1

⚠ WARNING

To avoid possible electrical shock, be sure electricity is turned off at the main fuse box before wiring.

NOTE: If fan or supply wires are different colors than indicated, have this unit installed by a qualified electrician.

1. If fan and/or light kit are controlled by a pull chain, fan must be set to high and light kit must be switched on.

2. Dip Switch Set Up (Figure 3)

NOTE: The remote unit has 32 different code combinations. To prevent possible interference from or to other remote units, simply change the combination code in the remote and receiver.

NOTE: Factory setting is all up. Do not use this position.

- To set the code on receiver unit, slide dip switches to the same positions as set on the remote.

- To set the remote code with a small screwdriver or ball point pen (neither included), slide dip switches firmly up or down to same as receiver unit.

3. Install Receiver in the Hanger Bracket:

- Connect wires using connectors as shown in Figure 1.
- Position all connected wires and receiver antenna to allow installation of ceiling canopy. (Figure 2)
- Using canopy screws threaded into the hanger bracket reinstall ceiling canopy.
- Restore electrical power

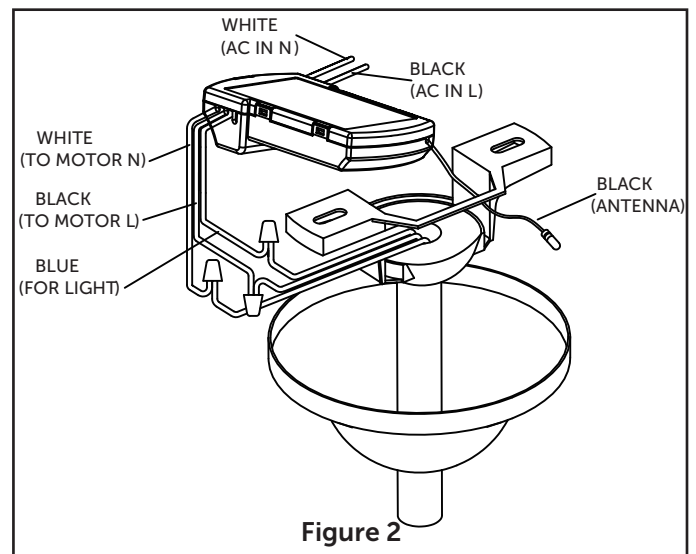


Figure 2

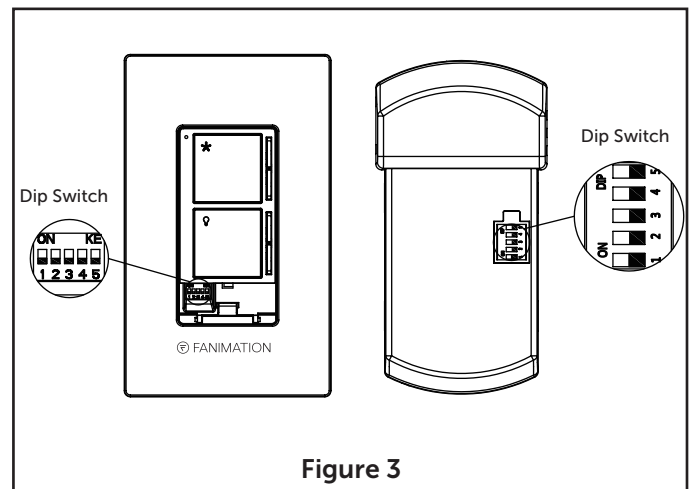
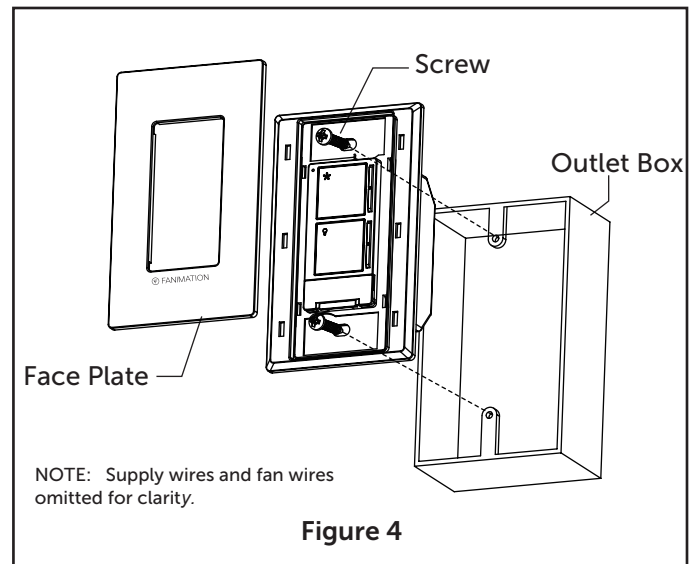


Figure 3

- 4. Attach wall control unit to outlet box using the two screws provided. Then, attach face plate to the wall control. (Figure 4)
- Restore electrical power.



- 5. Operating Wall Control: (Figure 5)

⊙ - Indicator LED light

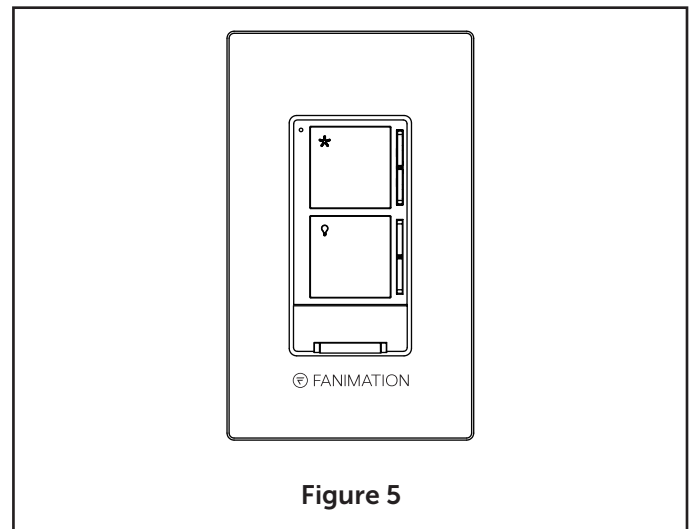
✱ - Fan off

⏮ - Fan speed control: Turns on fan and turns speed up or down.

💡 - Turns light ON/OFF.

⏭ - Light Dimmer: Up or down to brighten or dim light.

⏏ - Pull out to turn all power off.



⚠ WARNING

To avoid possible fire or shock, make sure that the electrical wires are completely inside the outlet box and not pinched between the wall plate and the wall.

⚠ WARNING

Check to see that all connections are tight, including ground, and that no bare wire is visible at the wire connectors, except for the ground wire. Do not operate fan unless blades are in place. Noise and fan damage could result.

