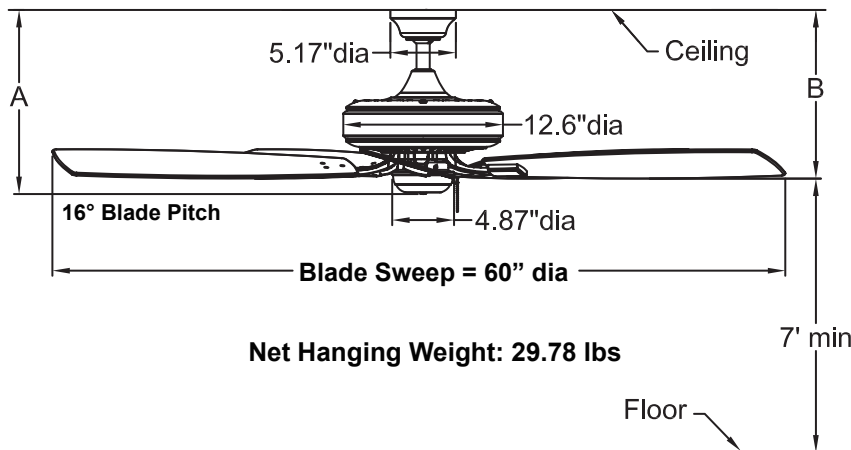
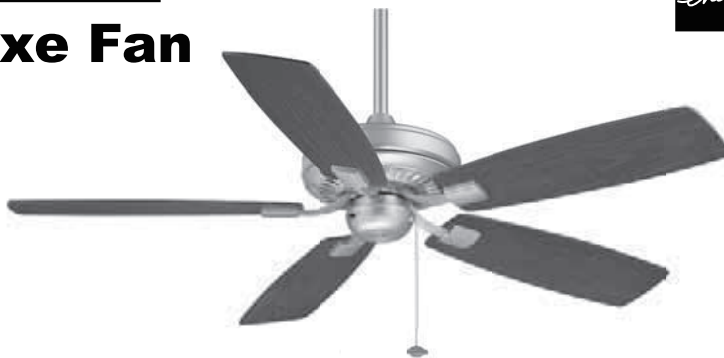


# EDGEWOOD® SERIES



## TF710\*\* Deluxe Fan



	A	B
Fan w/4.5" downrod	14.54"	13.31"
Fan w/12" downrod	22.04"	20.81"
Fan w/18" downrod	28.04"	26.81"
Fan w/24" downrod	34.04"	32.81"
Fan w/36" downrod	46.04"	44.81"
Fan w/48" downrod	58.04"	56.81"
Fan w/60" downrod	70.04"	68.81"
Fan w/72" downrod	82.04"	80.81"

### INSTALLATION REQUIREMENTS:

Fan must be attached to a securely anchored electrical junction box capable of withstanding a load of at least 50 lbs.

### ELECTRICAL REQUIREMENTS:

Requires a grounded electrical supply line of 120 volts AC, 60 Hz, 15 amp circuit.

### MOTOR SPECS:

212 x 25 motor is designed for optimal performance with this fan. Fan is Energy Star Rated.

### BLADES:

A set of five 26" reversible wood blades is included.

### CONTROL OPTIONS:

Optional CW1, CW1SW, CW2, CW5 and CWRL4 wall controls, and CRL4WH and CRL8TS remote controls (with receiver units) are available—sold separately. Instructions are provided with each control.

### LIGHTING OPTIONS:

Optional lighting fitters and light kits are available. See our catalog or visit [www.fanimation.com](http://www.fanimation.com) for available lighting options.

### DOWNROD OPTIONS:

Fan comes with 1" dia. x 4.5" long downrod. Optional downrods available in 12", 18", 24", 36", 48", 60", and 72" lengths. A downrod coupler is available for installations requiring a downrod longer than 72". Fan can be mounted on a sloped ceiling up to 19°. Optional close-to-ceiling kit is available as well—sold separately. Optional sloped ceiling kits (SCK1-52) are available for up to 52°. Call your local dealer for more information.

### LOCATION USE:

Fan is rated for dry locations only.

Available Finishes		
Fan / Housing Assembly	Blades - Traditional	
SN	Satin nickel	Walnut / light walnut
TS	Tortoise shell	Walnut / light walnut
WH	White	White / white oak
OB	Oil-rubbed Bronze	Cherry/ Walnut

Airflow / Energy Efficiency Info (120V)					
Fan Speed	Max RPM	CFM	CFM / Watts	Amps	Watts
High	159	8963	106	0.73	84.3
Med	115	6596	132	0.56	49.8
Low	74	4001	182	0.37	22.0