

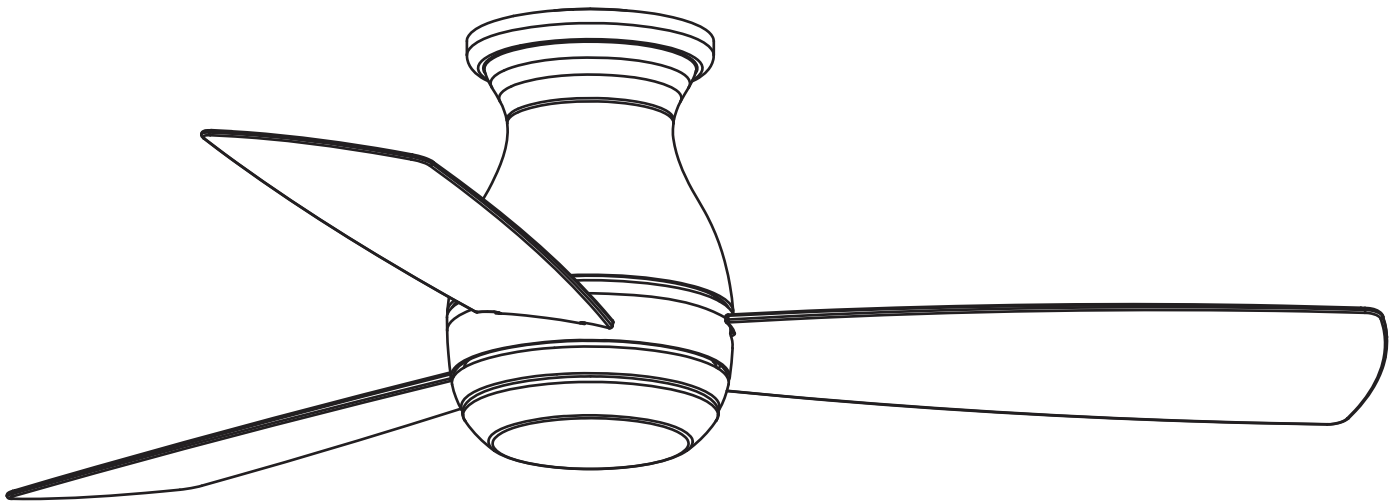


FANIMATION®
SHOWROOM COLLECTION

HUGH™ 44 CEILING FAN

MODEL #FPS8332B**

Español p. 18



**ATTACH YOUR RECEIPT HERE AND REGISTER YOUR FAN AT FANIMATION.COM
READ AND SAVE THESE INSTRUCTIONS**

Date Code _____ **Purchase Date** _____ Net Weight 13.89 lbs (6.30 kgs)

For best and quick service please provide date code. You can find the date code on the Carton, Handheld Remote (inside of the battery compartment), Receiver or Ceiling Bracket.



Questions, problems, missing parts? Before returning to your retailer, call our customer service department at 1-888-567-2055, 8 a.m.-5 p.m., EST, Monday-Friday.

Important Safety Instructions

WARNING: To avoid fire, shock and serious personal injury, follow these instructions.

1. Read your owner's manual and safety information before installing your new fan. Review the accompanying assembly diagrams.
2. Before servicing or cleaning unit, switch power off at service panel and lock service panel disconnecting means to prevent power from being switched on accidentally. When the service disconnecting means cannot be locked, securely fasten a warning device, such as a tag, to the service panel.
3. Be careful of the fan and blades when cleaning, painting, or working near the fan. Always turn off the power to the ceiling fan before servicing.
4. Do not insert anything into the fan blades while the fan is operating.
5. Do not operate reversing switch until fan blades have come to a complete stop.
6. The appliance is not intended for use by young children or infirm persons without supervision. Young children should be supervised to ensure that they do not play with the appliance.

Additional Safety Instructions

1. To avoid possible shock, be sure electricity is turned off at the fuse box before wiring, and do not operate fan without blades.
2. All wiring and installation procedures must satisfy National Electrical Codes (ANSI/ NFPA 70) and Local Codes. The ceiling fan must be grounded as a precaution against possible electrical shock. Electrical installation should be made or approved by a licensed electrician.
3. The fan base must be securely mounted and capable of reliably supporting at least 35 lbs. See page 5 of owner's manual for support requirements. Consult a qualified electrician if in doubt.
4. The fan must be mounted with the fan blades at least 7 feet from the floor to prevent accidental contact with the fan blades.
5. Follow the recommended instructions for the proper method of wiring your ceiling fan. If you do not have adequate electrical knowledge or experience, have your fan installed by licensed electrician.
6. Suitable for use with solid-state speed controls.
7. This fan is to be used in wet locations.
8. For supply connections, if the conductor of a fan is identified as a grounded conductor, then it should be connected to a grounded conductor power supply. If the conductor of a fan is identified as an ungrounded conductor, then it should be connected to an ungrounded conductor power supply. If the conductor of a fan is identified for equipment grounding, then it should be connected to an equipment grounding conductor.

WARNING: TO REDUCE THE RISK OF ELECTRIC SHOCK, THIS FAN MUST BE INSTALLED WITH A GENERAL USE ISOLATING WALL CONTROL/SWITCH

WARNING: This product is designed to use only those parts supplied with this product and/or accessories designated specifically for use with this product. Using parts and/or accessories not designated for use with this product could result in personal injury or property damage.

WARNING: To reduce the risk of personal injury, do not bend the blade bracket (flange or blade holder) when installing the brackets, balancing the blades, or cleaning the fan. Do not insert foreign objects in between rotating fan blades.

WARNING: Do not operate this fan with a variable (Rheostat) wall controller or dimmer switch. Doing so could result in damage to the ceiling fan's remote control unit.

This device complies with Part 15 of the FCC Rules. Operation is subject to the following two conditions:

(1) This device may not cause harmful interference, and (2) this device must accept any interference received, including interference that may cause undesired operation. Please note that changes or modifications not expressly approved by the party responsible for compliance could void the user's authority to operate the equipment.

Note: This equipment has been tested and found to comply with the limits for Class B digital device, pursuant to part 15 of the FCC Rules. These limits are designed to provide reasonable protection against harmful interference in a residential installation.

This equipment generates, uses and can radiate radio frequency energy and, if not installed and used in accordance with the instructions, may cause harmful interference to radio or television reception, which can be determined by turning the equipment off and on, the user is encouraged to try to correct the interference by one or more of the following measures:

- Reorient or relocate the receiving antenna.
- Increase the separation between the equipment and the receiver.
- Connect the equipment into an outlet on a circuit different from that to which the receiver is connected.

Consult the dealer or an experienced radio/TV technician for help.

LIMITED LIFETIME WARRANTY

Extends to the original purchaser of a Fanimation fan from an authorized Fanimation dealer/retailer only

1. LIMITED LIFETIME MOTOR WARRANTY - If any part of your fan motor fails, due to a defect in materials or workmanship during the lifetime of the original purchaser, Fanimation will provide the replacement part free of charge, when the defective fan is returned to our national service center. Proof of purchase is required. Customer shall be responsible for all costs incurred in the removal or reinstallation and shipping of the product for repairs or replacement.
2. ONE YEAR MOTOR LABOR WARRANTY - If your fan motor fails at any time within one year from the original purchase, due to defects in materials or workmanship, labor to repair the motor will be provided free of charge at our national service center. Purchaser will be responsible for labor charges after this one-year period. Customer shall be responsible for all costs incurred in the removal or reinstallation and shipping of the product for repairs or replacement.
3. If any other part of your fan fails at any time within one year after original purchase, due to a defect in materials or workmanship, we will repair, or replace, at our option, the defective part free of charge for parts and labor performed at our national service center.
4. Because of varying climate conditions, this warranty does not cover changes in the finish, including rusting, pitting, corroding, tarnishing, or peeling.
5. This warranty is void and does not apply to damage from improper installation, neglect, accident, misuse, exposure to extremes of heat or humidity, or as a result of any modification to the original product.
6. All costs of removal and reinstallation of the fan are the sole responsibility of the owner of the fan and not the store that sold the fan or Fanimation.
7. Fanimation reserves the right to modify or discontinue any product at any time and may substitute any part under this warranty.
8. Under no circumstances may a fan be returned without prior authorization from Fanimation. The receipt of purchase must accompany authorized returns and must be sent freight prepaid to Fanimation. The fan to be returned must be properly packed to avoid damage in transit; Fanimation will not be responsible for any damage resulting from improper packaging.
9. It is understood that any repair or replacement is the exclusive remedy available from Fanimation. There is no other expressed or implied warranty. Fanimation hereby disclaims any and all implied warranties, including, but not limited to those of merchantability and fitness for a particular purpose to the extent permitted by law. Some states do not allow limitations on implied warranties. Fanimation will not be liable for incidental, consequential, or special damages arising out of or in conjunction with product use or performance, except as may otherwise be accorded by law. This warranty gives you special legal rights and you may also have other rights that vary from state to state.
10. A certain amount of wobble is normal and should not be considered a problem or a defect.

Table of Contents

Unpacking Instructions	4	How to Install Your Remote Control	13
Energy Efficient Use of Ceiling Fans	5	Maintenance	14
Electrical and Structural Requirements	5	How to Clean Your Ceiling Fan Blades	14
How to Hang and Wire Your Ceiling Fan	7	Troubleshooting	14
How to Assemble Your Ceiling Fan	9	Parts List	15
How to Assemble Your Ceiling Fan Blades	9	Exploded-View Illustration	16
How to Assemble Your Light Kit	10		
How to Operate Your Ceiling Fan	12		

This manual is designed to make it as easy as possible for you to assemble, install, operate and maintain your ceiling fan

Tools Needed for Assembly (Not Included)

- One Phillips head screwdriver
- One ¼" blade screwdriver
- One stepladder
- One wire stripper

Materials

Wiring outlet box and box connectors must be of type required by local code. The minimum wire would be a 3-conductor (2-wire with ground) of the following size:

Installed Wire Length	Wire Size A.W.G.
Up to 50 ft.	14
50-100 ft.	12

⚠ WARNING

Before assembling your ceiling fan, refer to section on proper method of wiring your fan (page 7). If you feel you do not have enough wiring knowledge or experience, have your fan installed by a licensed electrician.

NOTE: Place the parts from the loose parts bags in a small container to keep them from being lost. If any parts are missing, contact your local retailer.

Unpacking Instructions

For your convenience, check-off each step. As each step is completed, place a check mark. This will ensure that all steps have been completed and will be helpful in finding your place should you be interrupted.

⚠ WARNING

Do not install or use fan if any part is damaged or missing. This product is designed to use only those parts supplied with this product and/or any accessories designated specifically for use with this product by Fanimation. Substitution of parts or accessories not designated for use with this product by Fanimation could result in personal injury or property damage. Contact your retail store for missing or damaged parts.

1. Check to see that you have received the following parts:

NOTE: If you are uncertain of part description, refer to exploded view illustration.

Hardware Bags		Bag Assembly Safety Cable	

Energy Efficient Use of Ceiling Fans

Ceiling fan performance and energy savings rely heavily on the proper installation and use of the ceiling fan. Here are a few tips to ensure efficient product performance.

Choosing the Appropriate Mounting Location

Ceiling fans should be installed, or mounted, in the middle of the room and at least 7 feet from floor to the blade and 18 inches from wall to the blade. If ceiling height allows, install the fan 8 - 9 feet from floor to the blade for optimal airflow. Consult your Fanimation Retailer for optional mounting accessories.

Turn Off When Not in the Room

Ceiling fans cool people, not rooms. If the room is unoccupied, turn off the ceiling fan to save energy.

Using the Ceiling Fan Year Round

Summer Season: Use the ceiling fan in the counterclockwise direction. The airflow produced by the ceiling fan creates a wind-chill effect, making you "feel" cooler. Select a fan speed that provides a comfortable breeze, lower speeds consume less energy.

Winter Season: Reverse the motor and operate the ceiling fan at low speed in the clockwise direction. This produces a gentle updraft, which forces warm air near the ceiling down into the occupied space. Remember to adjust your thermostat when using your ceiling fan-additional energy and dollar savings could be realized with this simple step!

Electrical and Structural Requirements

Your new ceiling fan will require a grounded electrical supply line of 120 volts AC, 60 HZ, 15 Amp Circuit. Electrical code requires use of a fan-rated outlet box to support the extra weight and motion associated with a ceiling fan. A fan-rated box will be labeled as such and typically supports up to a 70lb ceiling fan. Fan-Rated Outlet Boxes vary in ratings and design. Ensure the ratings of your ceiling fan outlet box meet the requirements for the ceiling fan being installed. Figure 1, Figure 2 and Figure 3 depicts different structural configurations that may be used for mounting the outlet box.

Low profile box (Figure 1)

A 1/2-in.-deep pancake box is meant to be screwed to a joist or block. It's used if only one cable is coming into the box. It is also available in a saddle-mount configuration.

Deep box (Figure 2)

A 2-1/4-in.-deep box can be attached to blocking between joists and is roomy enough to handle more than one cable.

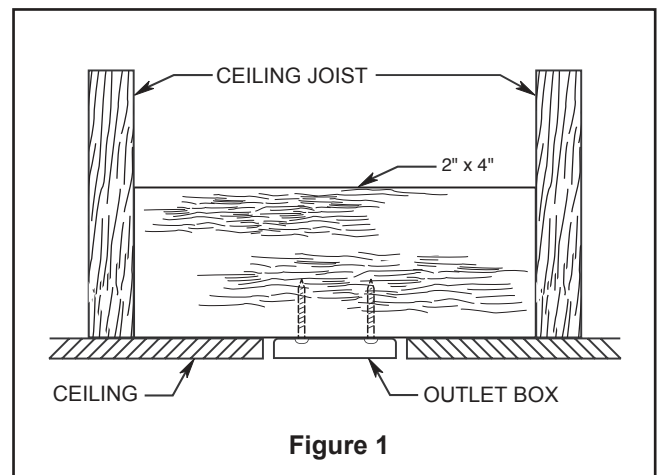


Figure 1

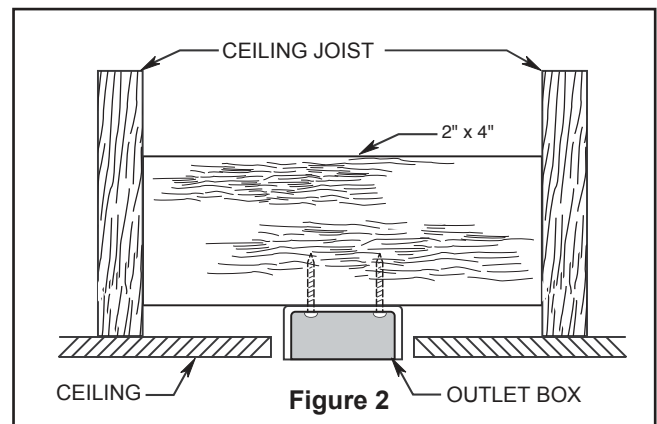


Figure 2

Electrical and Structural Requirements (Continued)

Deep box with brace (Figure 3)

Paired with a deep box, this hanger is meant to span between two joists and takes the place of wooden blocking.

WARNING

To reduce the risk of fire, electric shock, or personal injury, mount to outlet box marked acceptable for fan support of 15.9 kg (35 lbs) or less and use mounting screws provided with the outlet box. Most outlet boxes commonly used for the support of luminaires are not acceptable for fan support and may need to be replaced, consult a qualified electrician if in doubt.

If your fan is to replace an existing light fixture, turn electricity off at the main fuse box at this time and remove the existing light fixture.

WARNING

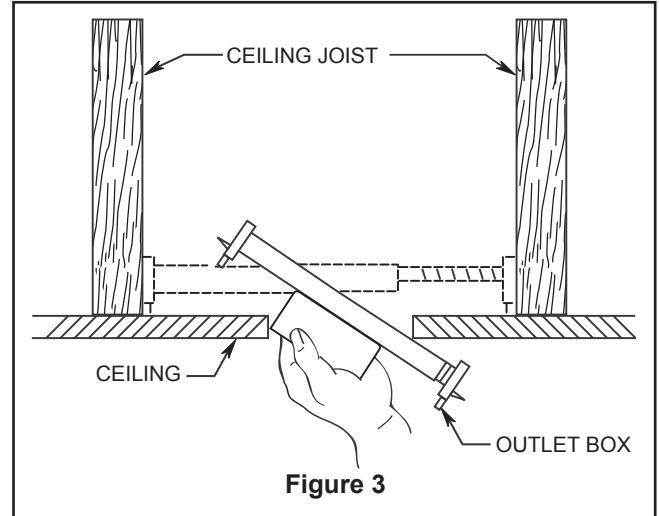
Turning off wall switch is not sufficient. To avoid possible electrical shock, be sure electricity is turned off at the main fuse box before wiring. All wiring must be in accordance with National and Local codes and the ceiling fan must be properly grounded as a precaution against possible electrical shock.

WARNING

To avoid fire or shock, follow all wiring instructions carefully. Any electrical work not described in these instructions should be done or approved by a licensed electrician.

WARNING

Do not operate this fan with a variable (Rheostat) wall controller or dimmer switch. Doing so could result in damage to the ceiling fan's remote control unit.



How to Hang and Wire Your Ceiling Fan

⚠ WARNING

To avoid possible electrical shock, be sure electricity is turned off at the main fuse box before hanging. (Figure 1) NOTE: If you are not sure if the outlet box is grounded, contact a licensed electrician for advice, as it must be grounded for safe operation.

⚠ WARNING

The fan must be hung with at least 7' of clearance from floor to blades. (Figure 2)

⚠ WARNING

It is critical that the outlet box and the screws are securely anchored to the building structure and capable of withstanding a load of at least 35 lbs. Failure to verify that the screws are properly installed could result in the fan falling.

CAUTION

Do not connect fan blades until the fan is completely installed. Hanging fan with blades connected may result in damage to the fan blades.

HARDWARE USED:

Ceiling Support Cable Clamp x 1
W/Screw



1. Using the 3/8 " x 2 " lag bolt and flat washer, attach safety cable to ceiling joist or wood structural member. The lag bolt will pass through the flat washer, safety cable loop, and into the building structure (Figure 3). You will first drill a 1/4 " pilot hole into the building structure to prevent splitting or cracking.
2. The ceiling support cable need to through the center hole of ceiling bracket when mounting. Using the two #8-32 screws and washers securely attach the ceiling bracket gasket and ceiling bracket to ceiling junction box as shown. (Figure 3)
3. Remove the two screws from the motor assembly, retain the screws for later and loosen the remaining screws. (Figure 4)
4. Hang the Motor Assembly as shown. (Figure 5)

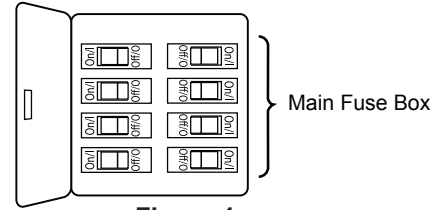


Figure 1

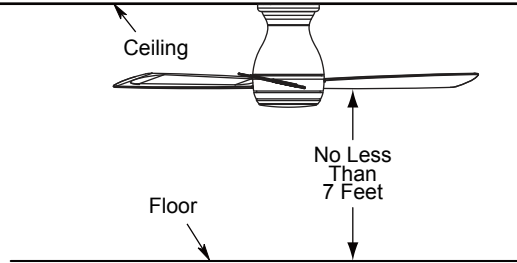


Figure 2

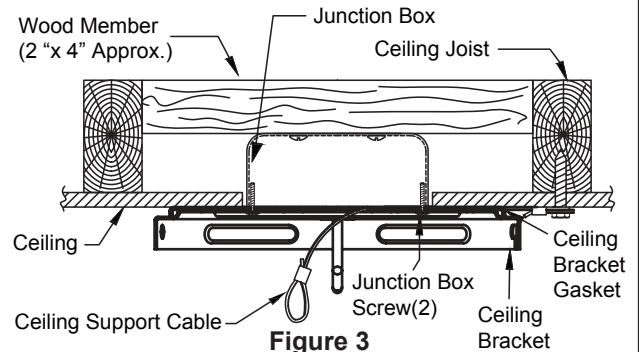


Figure 3

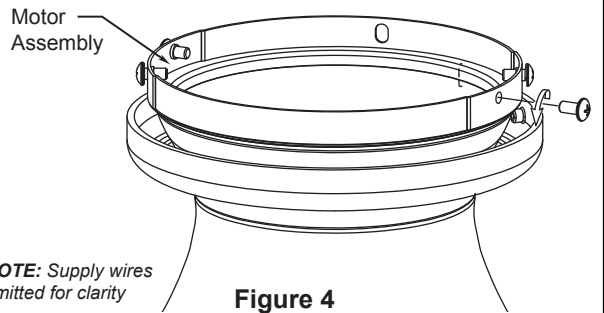


Figure 4

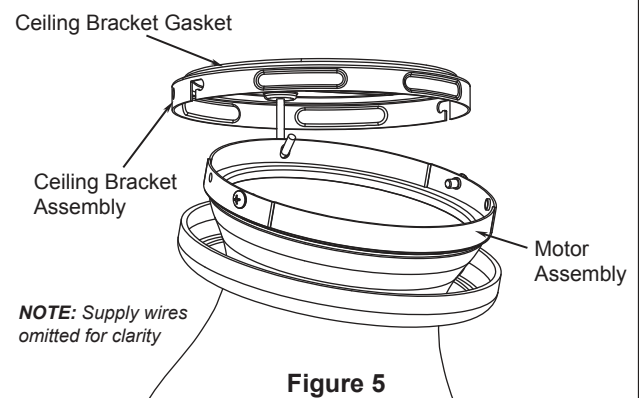


Figure 5

How to Hang and Wire Your Ceiling Fan (Continued)

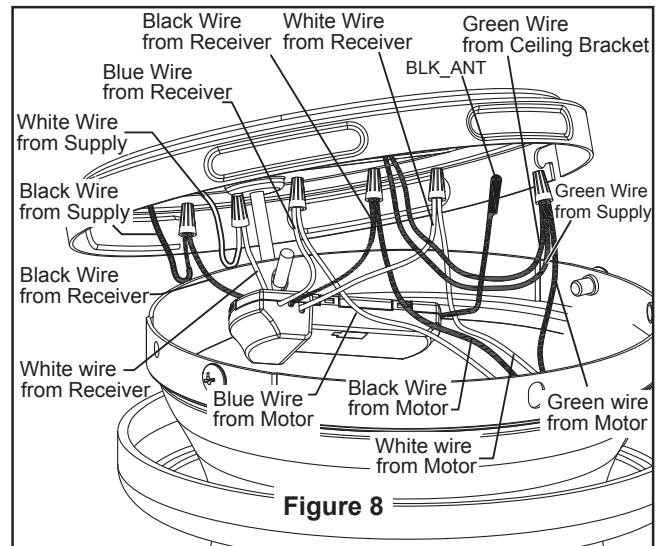
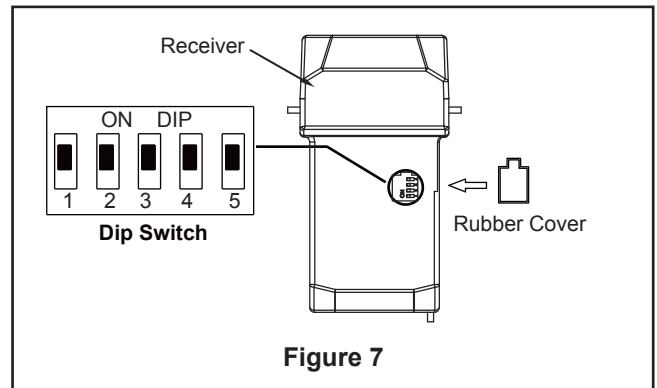
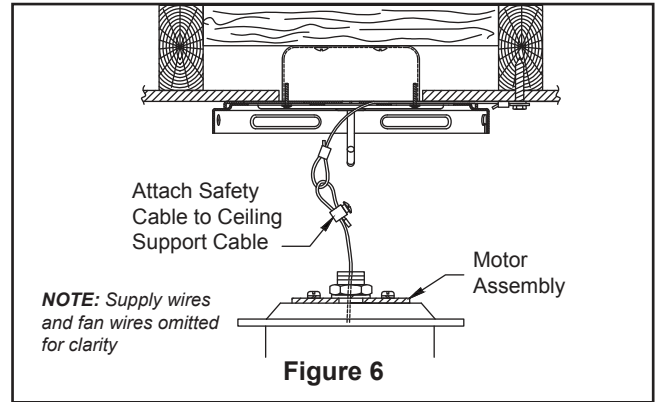
- 5.** Attach the safety cable to ceiling support cable. Slide cable clamp onto safety cable (from fan). Place the end of cable through the loop of ceiling support cable. Pull as much cable through loop as possible. Feed end of cable into clamp hole and firmly tighten screw (Figure 6). Cut off excess safety cable.
- 6.** Make sure the electrical supply wires, including the ceiling bracket grounding wire and safety cable are pulled through the downrod, between the ceiling bracket and the junction box so that electrical connections can be made later.

NOTE: The remote unit has 32 different code combinations. To prevent possible interference from or to other remote units, simply change the combination code in the remote and receiver.

- 7.** To set the code on receiver, slide dip switches to the same positions as set on the remote. If complete the receiver code setting process, put the rubber cover (included) in the receiver. (Figure 7)

NOTE: Factory setting is all up. Do not use this position.

- 8.** Connect wires using connectors as shown in Figure 8.
- 9.** After splicing and making the wire connections, the wires should be spread apart and turned upward with the grounded conductor (white), the equipment-grounding conductor (green) and safety cable on one side of the ceiling bracket and the ungrounded conductor (black and blue) on the other side of the ceiling bracket. (Figure 8)



⚠ WARNING

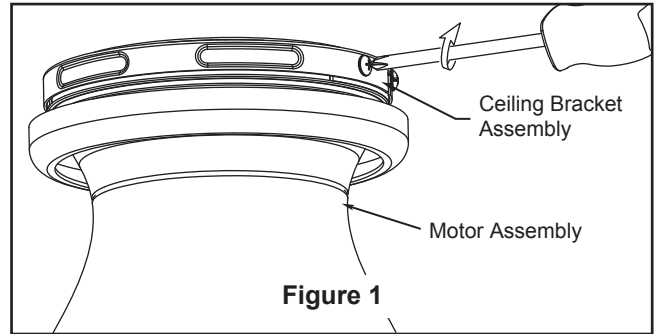
Check to see that all connections are tight, including ground, and that no bare wire is visible at the wire connectors except for the ground wire. Do not operate fan until the blades are in place. Noise and motor damage could result.

HARDWARE USED:

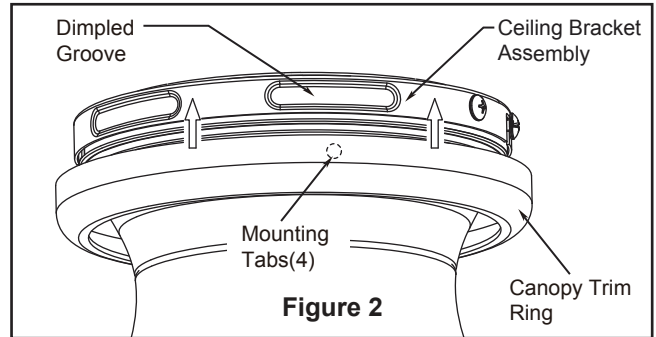
Wire Connectors x 6

How to Assemble Your Ceiling Fan

1. Assemble the motor assembly to ceiling bracket using the previously removed screws and securely tighten all screws. (Figure 1)



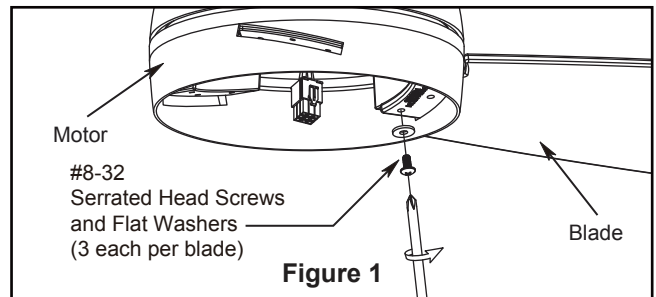
2. Push the canopy trim ring up to conceal the screws, such that the mounting tabs seat into the dimpled grooves in the ceiling bracket midway between the screws. (Figure 2)



How to Assemble Your Ceiling Fan Blades

1. Slide blades through slots in motor housing and attach to the motor hub using the #8-32 serrated head screws and flat washers. Make sure the screws securing the blades to the motor hub are tight and are properly seated. (Figure 1)

NOTE: Periodically check blade hardware and resecure if necessary.





INSTALLATION NOTE

Do not connect fan blades until the fan is completely installed. Installing the fan with blades assembled may result in damage to the fan blades.

⚠ WARNING

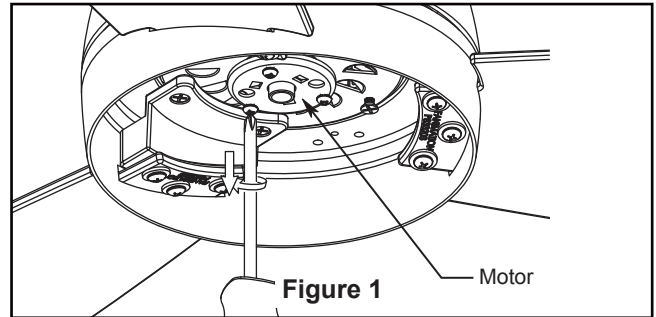
To reduce the risk of personal injury, do not bend the blades when installing, balancing or cleaning the fan. Do not insert foreign objects in between the rotating blades.

HARDWARE USED:

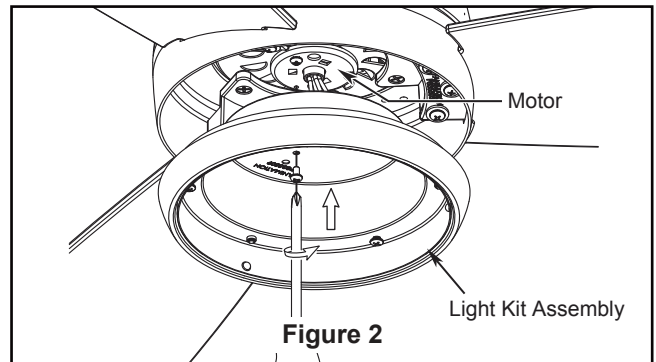
#8-32 Serrated Head Screws		x 9
Flat Washers		x 9

How to Assemble Your Light Kit

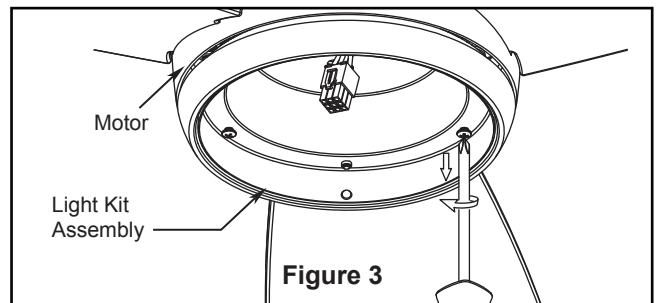
- 1. Remove one of the three screws in the support bracket at the bottom of the motor assembly and retain the screw for later. Slightly loosen the remaining two screws. (Figure 1)



- 2. Assemble the light kit assembly to the support bracket using the two key slots in the light kit assembly. Replace the third screw and securely tighten all three screws. (Figure 2)

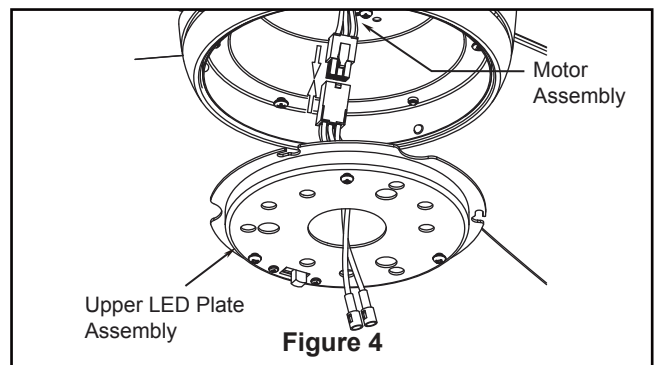


- 3. Remove one of the three screws in the light kit assembly and retain the screw for Step 5. Slightly loosen the remaining two screws. (Figure 3)

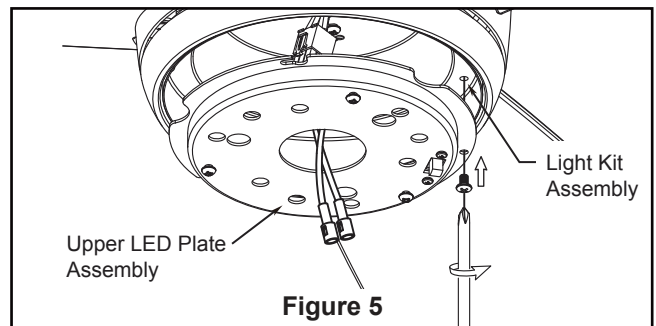


- 4. Securely attach the 9-pin switch cup connector to the wiring harness socket within the upper LED plate assembly. (Figure 4)

⚠ WARNING
The color label on these two connectors must correspond to each other.

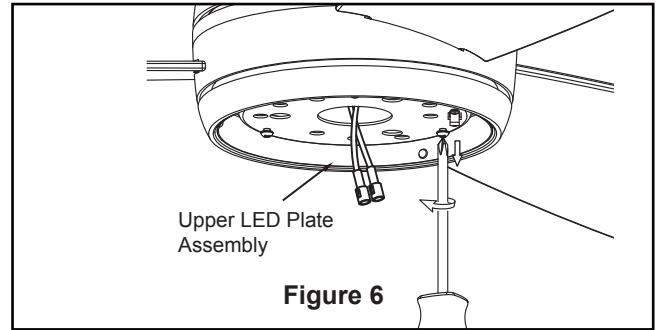


- 5. Assemble the upper LED plate assembly to the light kit assembly using the two key slots in the upper LED plate assembly. Replace the third screw and securely tighten all three screws. (Figure 5)

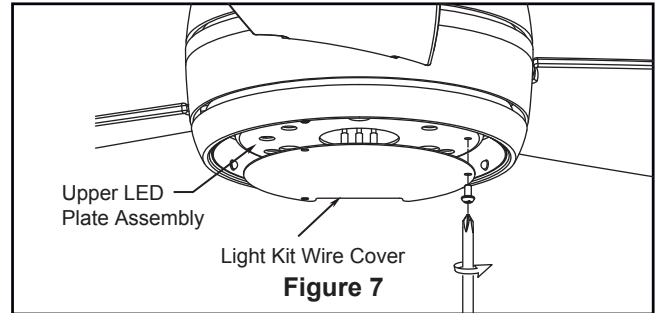


How to Assemble Your Light Kit (Continued)

6. Remove the three screws in the upper LED plate assembly and retain the screws for later. (Figure 6)



7. If you want to install the light kit, skip the step. Assemble the light kit wire cover to the upper LED plate assembly using the previously removed screws and securely tighten all three screws. (Figure 7)

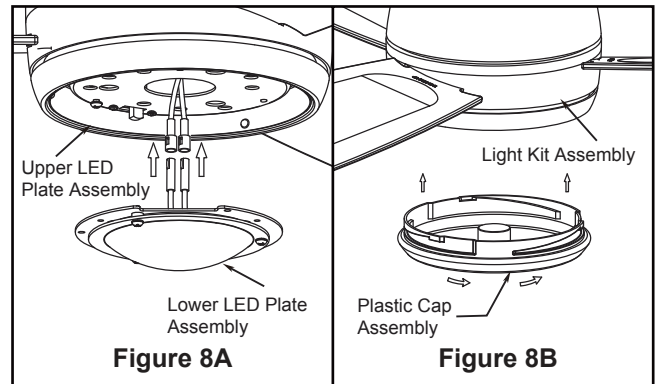


- 8A. (Option A--for use with light kit) Connect the 2 single-pin connectors from the upper LED plate assembly to the 2 single-pin connectors from lower LED plate assembly. (Figure 8A)

CAUTION

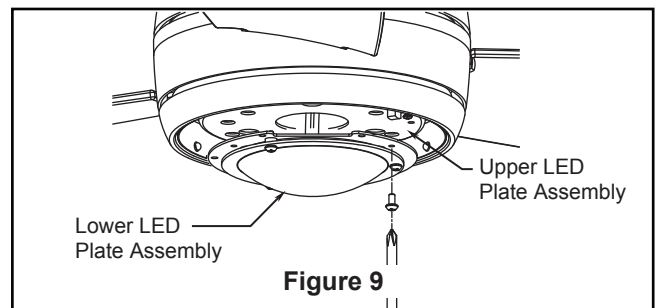
To reduce the risk of electric shock, disconnect the electrical supply circuit to the fan before installing your light kit.

- 8B. (Option B--for use with plastic cap) If you want to install the plastic cap and not the light kit. Assemble the plastic cap to the light kit assembly by twisting in a clockwise direction. (Figure 8B)



NOTE: If you have installed your fan with the plastic cap, skip steps 9 and 10.

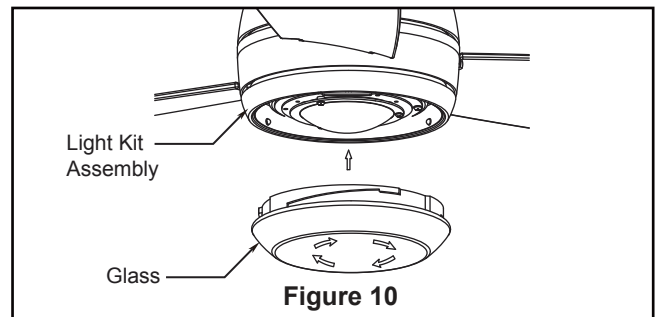
9. Assemble the lower LED plate assembly to the upper LED plate assembly using the previously removed screws and securely tighten all three screws. (Figure 9)



CAUTION

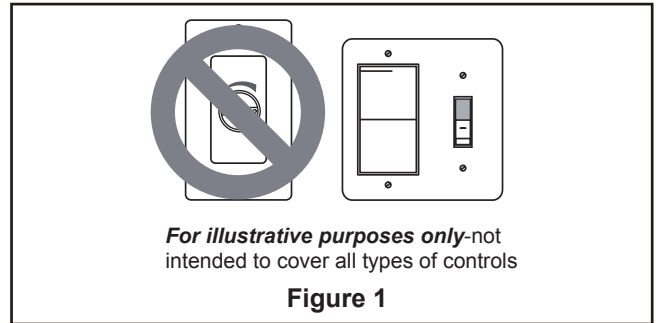
The light source is designed for this specific application and can overheat if serviced by untrained personnel. If any servicing is required, the product should be returned to an authorized service facility for examination or repair.

10. Secure the glass to light kit assembly by twisting in a clockwise direction. Do not over-tighten. (Figure 10)



How to Operate Your Ceiling Fan

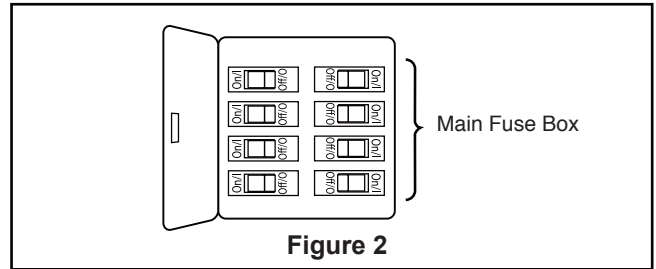
- 1. **IMPORTANT:** Using a full range dimmer switch (not included) to control fan speed will damage the fan. To reduce the risk of fire or electrical shock, do not use a full range dimmer switch to control the fan speed. (Figure 1)



- 2. Restore electrical power to the outlet box by turning the electricity on at the main fuse box. (Figure 2)

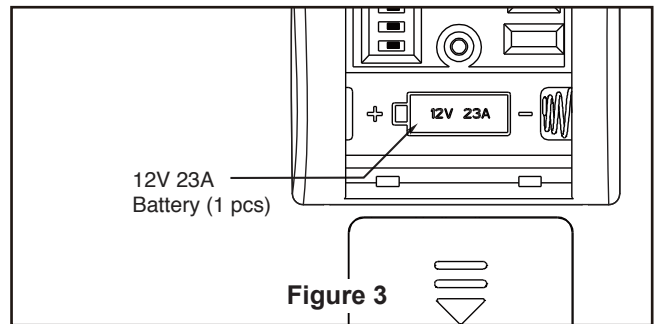
⚠ WARNING

Check to see that all connections are tight, including ground, and that no bare wire is visible at the wire connectors, except for the ground wire. Do not operate fan until the blades are in place. Noise and fan damage could result.



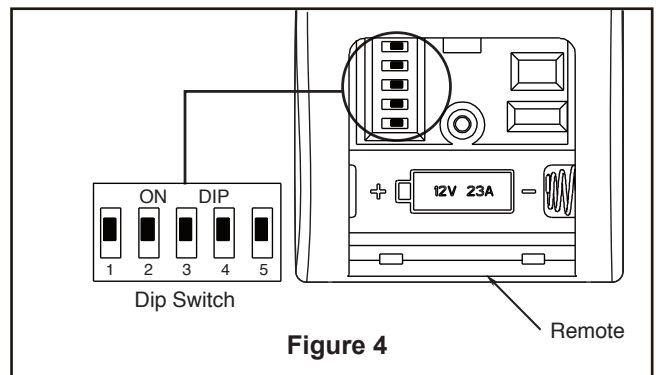
⚠ WARNING

Do not operate this fan with a variable (Rheostat) wall controller or dimmer switch. Doing so could result in damage to the ceiling fan's remote control unit.



- 3. To make fan operational, install 23A/12V battery (included) in hand-held remote transmitter, with fan power off. Then follow the remote code setting process. (If not used for long periods of time, remove battery to prevent damage to transmitter). Store the remote away from excessive heat or humidity. (Figure 3)

NOTE: The remote unit has 32 different code combinations. To prevent possible interference from or to other remote units, simply change the combination code in the remote and receiver.








- 4. To set the remote code with a small screwdriver or ball point pen (neither included), slide dip switches firmly up or down. (Figure 4)

NOTE: Factory setting is all up. Do not use this position.

How to Operate Your Ceiling Fan (Continued)

5. Remote functions: (Figure 5)

- ◦ ◦ ◦ Indicator LED light: fan speed
-  button: Turns fan off.
- Fan Speed:
 - △ Turns fan on and turns speed up.
 - ▽ Turns fan on and turns speed down.
-  Light button: Turns light on and off.
 - △ Increases light output level.
 - ▽ Decreases light output level.
- Sleep Timer:
 -  Tap and the fan and light will turn off after 1 hour.
 -  Tap and the fan and light will turn off after 3 hours.
 -  Tap and the fan and light will turn off after 6 hours.

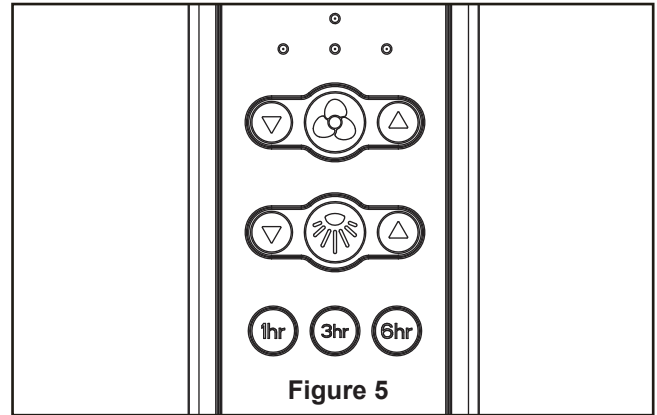


Figure 5

- ### 6. If airflow is desired in the opposite direction, turn the fan off and wait for the blades to stop turning. Remove glass or plastic cap from light kit, then slide the reverse switch inside the light kit assembly to the opposite position reinstall glass or plastic cap. Turn fan on again. (Figure 6)

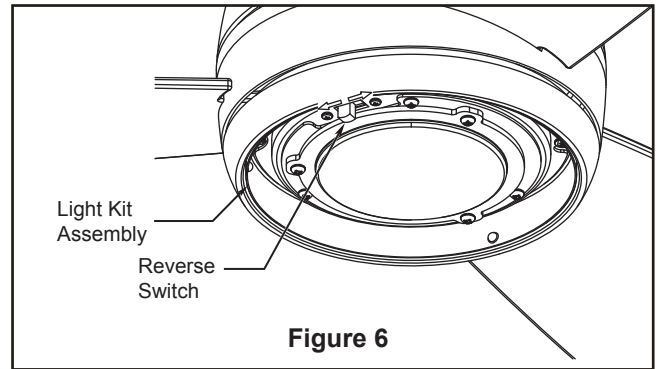


Figure 6

Reverse Switch Information		
Season	Rotation Direction	Switch Position
Summer	Counterclockwise	Left
Winter	Clockwise	Right

How to Install Your Remote Control

- ### 1. Installing Wall Holder: (Figure 1)
- Attach wall holder using the two provided screws.

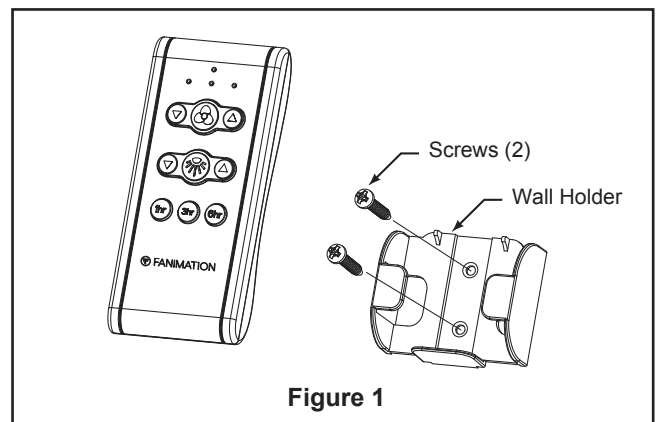


Figure 1

Maintenance

Periodic cleaning of your new ceiling fan is the only maintenance necessary.
 When cleaning, use only a soft brush or lint free cloth to avoid scratching the finish.
 Abrasive cleaning agents are not required and should be avoided to prevent damage to finish.

CAUTION

Do not use solvents when cleaning your ceiling fan. It could damage the motor or the blades and create the possibility of electrical shock.

How to Clean Your Ceiling Fan Blades

Periodic light dusting of the blades is recommended.
 A feather duster will work best.

Avoid using water, cleansers, or harsh rags, which can warp and ruin the blades.

Troubleshooting

⚠ WARNING

For your own safety turn off power at fuse box or circuit breaker before trouble shooting your fan.

Trouble	Probable Cause	Suggested Remedy
1. FAN WILL NOT START	<ol style="list-style-type: none"> 1. Fuse or circuit breaker blown. 2. Loose power line connections to the fan, or loose switch wire connections in the switch housing. 3. Dead battery in remote control. 4. Reverse switch in neutral position. 	<ol style="list-style-type: none"> 1. Check main and branch circuit fuses or circuit breakers. 2. Check line wire connections to fan and switch wire connections in the switch housings. CAUTION: Make sure main power is turned off ! 3. Replace with new battery. 4. Make sure reverse switch position is all the way to one side.
2. FAN SOUNDS NOISY	<ol style="list-style-type: none"> 1. Blades not attached to fan. 2. Loose screws in motor housing. 3. Wire connectors inside housing rattling. 4. Motor noise caused by solid state variable speed control. 	<ol style="list-style-type: none"> 1. Attach blades to fan before operating. 2. Check to make sure all screws in motor housing are snug (not over-tight). 3. Check to make sure wire connectors in switch housing are not rattling against each other or against the interior wall of the switch housing. CAUTION: Make sure main power is turned off ! 4. Some fan motors are sensitive to signals from solid-state variable speed controls. Solid-state controls are not recommended, choose an alternative control method.
3. FAN WOBBLERS EXCESSIVELY	<ol style="list-style-type: none"> 1. Screws securing fan blade to motor hub are loose. 2. Ceiling bracket and/or ceiling outlet box is not securely fastened. 	<ol style="list-style-type: none"> 1. Check to be sure screws which attach the fan blade to the flywheel are tight. 2. Tighten the ceiling bracket screws to the outlet box, and secure outlet box.

Parts List

Model #FPS8332B**

Ref. #	Description	Part #
1	Ceiling Bracket Gasket	P835501BL
2	Ceiling Bracket Assembly	AP835502BL
3	Motor Assembly	AMA8332B**
4	Blade Set	AP833203**
5	Upper LED Plate Assembly	AP833211
6	Lower LED Plate Assembly	AP835519D3090
7	Light Kit/Glass Assembly	AP835520**
8	Light Kit Wire Cover	P835522
9	Plastic Cap Assembly	AP835521**
10	Hand-held Remote	TR500
11	Receiver	RCCA05005002
12	Hardware Bag Containing:	HDWFPS8332B**
	Wire Connector (4)	
	#8-32 Junction Box Screws, Stainless Steel (2)	
	Flat Washers, Stainless Steel (2)	
	Bag Assembly Safety Cable	
	Blade Mounting Hardware Bag Containing:	
	#8-32 Serrated Head Screws (10)	
	Flat Washers (10)	

** Insert FINISH CODES (Refer to fan model number located on downrod support)

Before discarding packaging materials, be certain all parts have been removed.

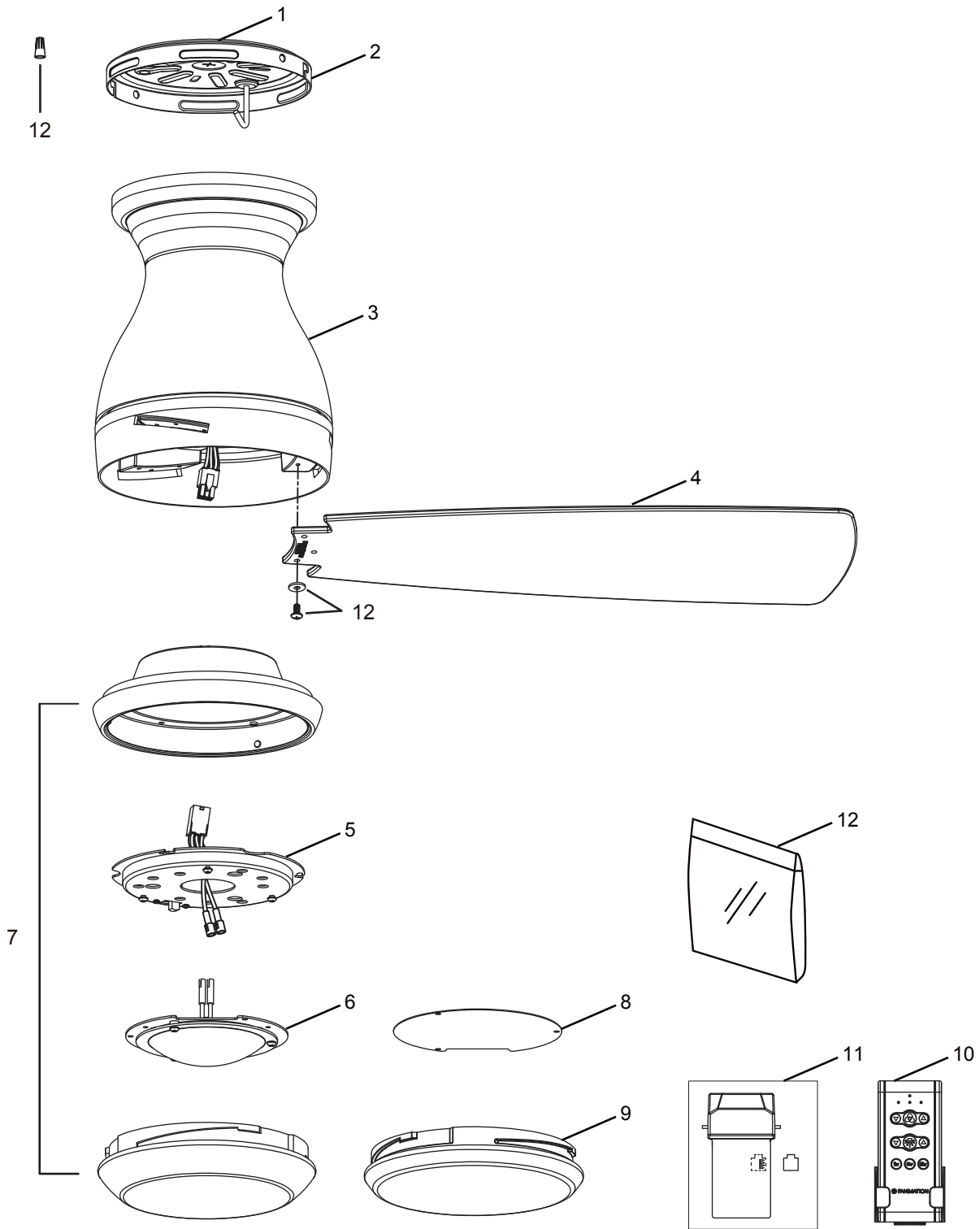
How To Order Parts

When ordering repair parts, always give the following information:

- Part Number
- Part Description
- Fan Model Number

Contact your retail store for repair parts.

HUGH™ 44
Model FPS8332B**
Exploded-View Illustration



NOTE: The illustration shown is not to scale or its actual configuration may vary. Product/parts are subject to change without notice.



10983 Bennett Parkway
Zionsville, IN 46077
Phone: 888-567-2055
Outside U.S.: 317-733-4113
FAX: 866-482-5215
FANIMATION.COM

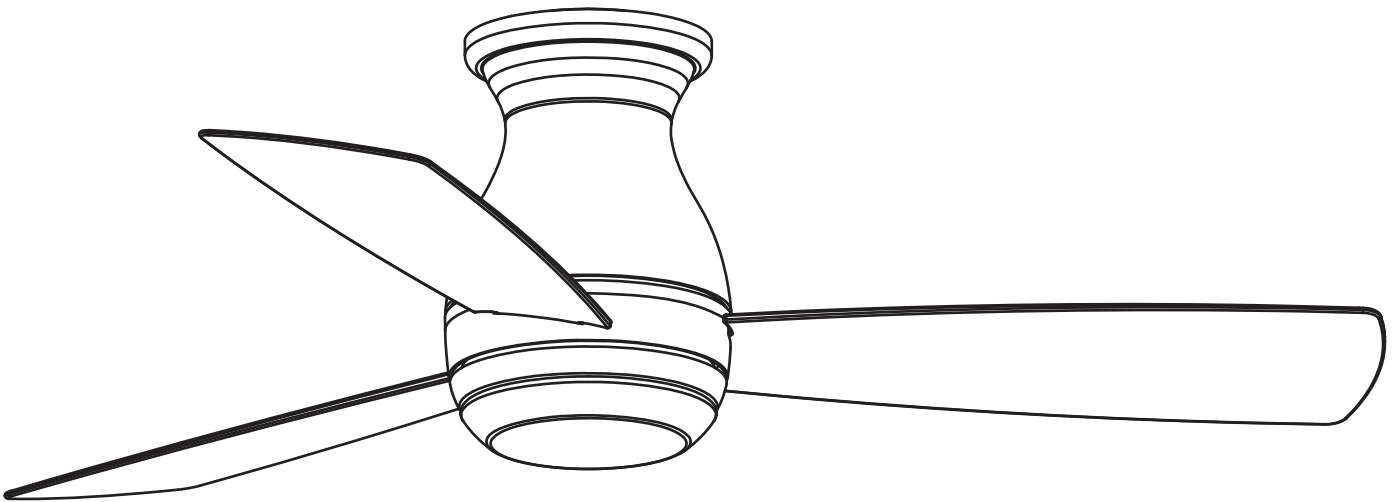
2019/10 V.01
Copyright 2019 Fanimation



FANIMATION®
SHOWROOM COLLECTION

VENTILADOR DE TECHO HUGH™ 44

MODELO #FPS8332B**



**ADJUNTE SU RECIBO AQUÍ Y REGISTRE SU VENTILADOR EN FANIMATION.COM
LEA Y GUARDE ESTAS INSTRUCCIONES**

Código de fecha _____ Fecha de compra _____ Peso neto 6.30 kgs (13.89 lbs)

Para ofrecer un servicio rápido y de calidad, por favor suministre el código de fecha. Puede encontrar el código de fecha en el paquete, en el mando a distancia (dentro del compartimento de las pilas), en el receptor o unidad de soporte del ventilador.



Preguntas, problemas, piezas faltantes? Antes de volver a la tienda, llame a nuestro Departamento de Servicio al Cliente al 1-888-567-2055, 8 a.m. - 5 pm, hora del Este, de lunes - viernes.

Instrucciones de seguridad importantes

ADVERTENCIA: Siga estas instrucciones para prevenir incendios, descargas eléctricas y lesiones personales graves.

1. Lea el manual del propietario y la información de seguridad antes de instalar su nuevo ventilador. Observe los diagramas de ensamblaje adjuntos.
2. Antes de llevar a cabo el mantenimiento o la limpieza de la unidad, desconecte la electricidad en el panel de servicio y bloquee los medios de desconexión del mismo para evitar que se active accidentalmente. Si no se pueden bloquear los medios de desconexión del servicio, coloque un dispositivo de advertencia, como una etiqueta, en el panel de servicio.
3. Tenga cuidado con la estructura y las aspas del ventilador cuando limpie, pinte o trabaje cerca del mismo. Desconecte siempre la electricidad del ventilador de techo antes de llevar a cabo el mantenimiento.
4. No coloque nada en las aspas del ventilador cuando éste se encuentra en funcionamiento.
5. No accione el conmutador inversor hasta que las aspas del ventilador se hayan detenido por completo.
6. El dispositivo no ha sido diseñado para ser utilizado por niños o personas enfermas sin supervisión. Los niños deben ser supervisados para asegurarse de que no juegan con el dispositivo.

Instrucciones de seguridad adicionales

1. Para evitar posibles descargas eléctricas, asegúrese de que la electricidad esté desconectada en la caja de fusibles antes de realizar la instalación eléctrica, y no haga funcionar el ventilador sin las aspas.
2. Todos los procedimientos de conexión eléctrica e instalación deben cumplir con los Códigos eléctricos nacionales (ANSI/NFPA 70) y Códigos locales. El ventilador de techo debe estar conectado a tierra a fin de prevenir posibles descargas eléctricas. La instalación eléctrica debe ser llevada a cabo o aprobada por un electricista autorizado.
3. Se debe fijar bien la base del ventilador; ésta debe ser capaz de soportar sin problemas al menos 15,9 kg (35 lb). Consulte la página 22 del manual del propietario para ver los requisitos de soporte. Si tiene dudas, consulte a un electricista calificado.
4. Las aspas del ventilador deben instalarse por lo menos a 2,13 m (7 pies) del suelo, a fin de evitar un contacto accidental con las mismas.
5. Siga las recomendaciones sobre el método correcto de instalación eléctrica de su ventilador de techo. Si no posee la experiencia o los conocimientos eléctricos adecuados, contrate a un electricista autorizado para instalar el ventilador.
6. Apto para usar con controles de velocidad de estado sólido.
7. Este ventilador de techo es para ser utilizado en lugar húmedo.
8. En lo que respecta a las conexiones de suministro, si el conductor del ventilador está identificado como conductor con conexión a tierra, se le debe conectar a un suministro de electricidad con conductor de puesta a tierra. Si el conductor del ventilador está identificado como conductor que no es de puesta a tierra, se le debe conectar a un suministro de electricidad con conductor sin puesta a tierra. Si el conductor del ventilador está identificado para equipos de puesta a tierra, se le debe conectar al conductor de equipos de puesta a tierra.

ADVERTENCIA: PARA REDUCIR EL RIESGO DE DESCARGAS ELÉCTRICAS, ESTE VENTILADOR SE DEBE INSTALAR CON UN CONTROL/INTERRUPTOR DE PARED AISLADO.

ADVERTENCIA: Este producto está diseñado para ser usado sólo con las piezas suministradas o los accesorios indicados específicamente para el mismo. Si utiliza piezas o accesorios que no están indicados para su uso con este producto, podría sufrir lesiones personales o dañar el ventilador.

ADVERTENCIA: Para reducir el riesgo de lesiones personales, no doble los soportes de las aspas (borde o soporte de aspas) al instalar los soportes, balancear las aspas o limpiar el ventilador. No coloque objetos extraños entre las aspas del ventilador en funcionamiento.

ADVERTENCIA: No utilice este ventilador con un controlador variable de pared (Rheostat) o un regulador de intensidad. Si lo hiciera podría dañar la unidad del mando a distancia del ventilador de techo.

AVERTISSEMENT: CE VENTILATEUR DOIT ÊTRE INSTALLÉ AVEC UNE COMMANDE/INTERRUPTEUR MURAL ISOLANT À USAGE GÉNÉRAL AFIN DE RÉDUIRE LES RISQUES D'ÉLECTROCUTION.

AVERTISSEMENT: Ce produit est conçu pour utiliser uniquement les pièces l'accompagnant et/ou les accessoires spécifiquement conçus pour ce produit. L'utilisation de pièces et/ou d'accessoires qui ne sont pas conçus pour être utilisés avec ce produit peut provoquer des blessures ou des dommages matériels.

AVERTISSEMENT: Afin de réduire le risque de blessure, ne pliez pas le support de pale (bride ou porte-pale) lors de l'installation des supports, de l'équilibrage des pales ou du nettoyage du ventilateur. N'insérez pas de corps étrangers entre les pales du ventilateur en rotation.

AVERTISSEMENT: N'utilisez pas ce ventilateur avec un contrôleur mural (rhéostat) variable ou un gradateur. Cela pourrait endommager la télécommande du ventilateur de plafond.

(1) Este equipo no causará interferencias perjudiciales y (2) este equipo tolerará cualquier interferencia recibida, incluidas las interferencias que puedan provocar un funcionamiento no deseado. Si el radiador intencional puede ser clasificado como un dispositivo digital de clase B o un periférico del ordenador, entonces se deberán incluir los siguientes o equivalentes:

Nota: Tras someterlo a las pruebas correspondientes, se ha determinado que este equipo cumple con los límites establecidos para dispositivos digitales de Clase B de conformidad con la parte 15 de la Normativa FCC. Estos límites se han establecido con el objetivo de aportar una protección razonable contra interferencias perjudiciales cuando el equipo se utiliza en el hogar. Este equipo genera, utiliza y puede emitir energía de radiofrecuencia y, a menos que se instale y se utilice de acuerdo con el manual de instrucciones, puede provocar interferencias perjudiciales en las comunicaciones por radio y televisión. Si el equipo produce interferencias perjudiciales en la recepción de radio o televisión, lo cual puede probarse encendiendo y apagando el equipo, se recomienda al usuario corregir dichas interferencias tomando una o varias de las siguientes medidas:

- Modificar la orientación o ubicación de la antena de recepción;
 - Aumentar la separación entre el equipo y el receptor;
 - Conectar el equipo a una toma de corriente o circuito diferente al del receptor;
- Consulte al distribuidor o a un técnico especialista de radio o TV para obtener más ayuda.

GARANTÍA LIMITADA DE POR VIDA

Se extiende al comprador original del ventilador Fanimation solo desde un distribuidor/minorista autorizado de Fanimation

1. GARANTÍA LIMITADA DE POR VIDA DEL MOTOR - Si se produjera una falla en alguna de 1. las partes del motor de su ventilador debido a un defecto en los materiales o en la fabricación durante el tiempo de vida del comprador original, Fanimation proporcionará la pieza de repuesto sin cargo una vez que el ventilador defectuoso sea devuelto a nuestro centro de servicios nacional. Se requiere comprobante de venta. El cliente se hará responsable de todos los gastos de remoción o reinstalación y envío del producto para reparaciones o sustitución.
2. GARANTÍA DE MANO DE OBRA DEL MOTOR POR UN AÑO - Si el motor de su ventilador fallara antes de cumplirse un año a partir del momento de su compra original debido a defectos en los materiales o en la fabricación, se le efectuará la reparación del mismo sin cargo en nuestro centro de servicios nacional. El comprador se hará responsable de los gastos de mano de obra luego del período de un año. El cliente se hará responsable de todos los gastos de remoción o reinstalación y envío del producto para reparaciones o sustitución.
3. Si otra pieza del ventilador fallara dentro del período de un año a partir de la fecha de compra original debido a un defecto en los materiales o en la fabricación, repararemos o sustituiremos, según creamos conveniente, la pieza defectuosa sin cargo alguno en nuestro centro de servicios nacional.
4. Debido a las diversas condiciones climáticas, esta garantía no cubre cambios en la terminación, incluidos oxidación, corrosión, falta de brillo o peladuras.
5. Esta garantía es nula y no se aplica a daños por instalación incorrecta, negligencia, accidentes, uso indebido, exposición al calor o a la humedad en exceso, o como resultado de cualquier modificación realizada al producto original.
6. Todos los gastos de remoción y reinstalación del ventilador son responsabilidad exclusiva del propietario, y no de la tienda que vendió el ventilador ni de Fanimation.
7. Fanimation se reserva el derecho de modificar o discontinuar un producto en cualquier momento, o sustituir cualquier pieza según lo establecido por esta garantía.
8. En ningún caso se podrá devolver un ventilador sin previa autorización por parte de Fanimation. Las devoluciones autorizadas deberán ir acompañadas del recibo de venta y deberán enviarse a Fanimation, previo pago del flete. El ventilador que se devuelva deberá estar embalado en forma adecuada a fin de evitar daños durante el transporte. Fanimation no se hará responsable de los daños que resulten del embalaje incorrecto del producto.
9. Se entiende que las reparaciones y las sustituciones son el único recurso disponible de Fanimation. No existe ninguna otra garantía expresa o implícita. Por la presente, Fanimation niega todas las garantías implícitas, que incluyen, entre otras, la comerciabilidad y la aptitud para determinado fin hasta donde la ley lo permita. Algunos estados no permiten limitaciones sobre las garantías implícitas. Fanimation no se hará responsable por daños accidentales, resultantes o especiales derivados del uso o el rendimiento del producto o en conjunción con éste, excepto en los casos en los que la ley así lo disponga. Esta garantía le otorga derechos legales especiales y es posible que también goce de otros derechos que pueden variar según el estado.
10. Es normal que se produzca un cierto movimiento oscilante y esto no debe considerarse un problema o defecto.

Tabla de contenidos

Instrucciones para el desempaque	21	Cómo utilizar su ventilador de techo	30
Uso eficiente de la energía en ventiladores de techo	22	Cómo instalar su mando a distancia	32
Requisitos eléctricos y estructurales	22	Mantenimiento	32
Cómo colgar y realizar la instalación eléctrica del ventilador de techo	24	Limpieza de las aspas	32
Cómo ensamblar el ventilador de techo	26	Solución de problemas	33
Cómo ensamblar las aspas del ventilador de techo	27	Lista de piezas	34
Cómo ensamblar su el kit de iluminación o la tapa	27	Ilustración del despiece	35

Este manual está diseñado para facilitar, en la medida de lo posible, el ensamblaje, la instalación, el funcionamiento y el mantenimiento de su ventilador de techo

Herramientas necesarias para el ensamblaje (No incluido)

- Destornillador Phillips
- Destornillador de ¼"
- Escalera de tijera
- Pelacables

ADVERTENCIA

Antes de ensamblar el ventilador de techo, consulte la sección sobre el método correcto de instalación eléctrica del ventilador (página 24). Si siente que no posee la experiencia o los conocimientos eléctricos necesarios, contrate a un electricista autorizado para instalar el ventilador.

NOTA: coloque las piezas de las bolsas de piezas individuales en un contenedor pequeño para evitar que se extravíen. Si faltan piezas, póngase en contacto con su proveedor local.

Materiales

La caja de distribución eléctrica y los conectores de la caja deben ser del tipo requerido por el código local. El cable más pequeño debe ser un cable de tres conductores (de dos conductores con conexión a tierra) del siguiente tamaño:

<u>longitud del cable instalado</u>	<u>tamaño del cable según el A.W.G.</u> <u>(Calibre de Alambre Estadounidense)</u>
hasta 15,2 m (50 pies)	14
de 15,2 a 30,5 m (50 a 100 pies)	12

AVERTISSEMENT

Reportez-vous à la section sur la méthode appropriée de câblage du ventilateur (page 24) avant d'assembler votre ventilateur de plafond. Faites installer votre ventilateur par un électricien agréé si vous pensez que vous n'avez pas assez de connaissances ou d'expérience en câblage.

Instrucciones para el desempaque

Para su comodidad, marque cada uno de los pasos. A medida que completa cada paso, coloque una marca de verificación. Con esto se asegurará de completar todos los pasos y podrá saber desde dónde retomar si fuera interrumpido.

⚠ ADVERTENCIA

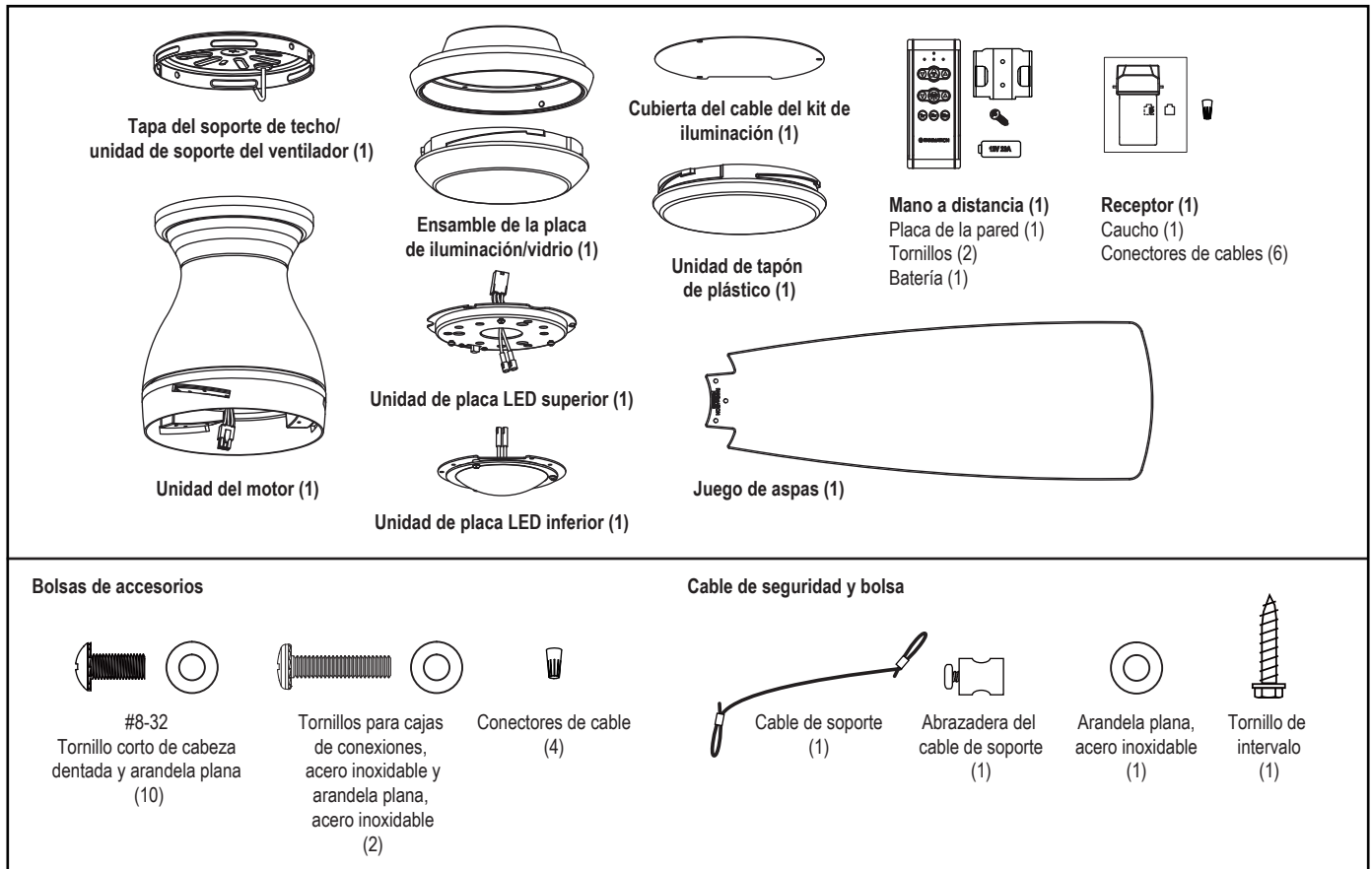
No instale ni utilice el ventilador si falta alguna pieza o si hay piezas dañadas. Este producto está diseñado para ser utilizado sólo con las piezas suministradas o los accesorios indicados por Fanimation específicamente para el mismo. La sustitución de piezas o accesorios que Fanimation no designó para usar con este producto podría ocasionar lesiones personales o daños en el ventilador. Póngase en contacto con su tienda si faltan piezas o hay piezas dañadas.

⚠ AVERTISSEMENT

N'i nstallez pas et n'utilisez pas le ventilateur si l'une de ses pièces est endommagée ou manquante. Ce produit est conçu pour utiliser uniquement les pièces l'accompagnant et/ou les accessoires spécifiquement conçus pour ce produit par Fanimation. La substitution de pièces ou d'accessoires non conçus par Fanimation pour être utilisés avec ce produit peut provoquer des blessures ou des dommages matériels. Contactez votre lieu de vente en cas de pièces manquantes ou endommagées.

1. Verifique que haya recibido las siguientes piezas:

NOTA: Si no está seguro de la descripción de una pieza, consulte la ilustración del despiece.



Uso eficiente de la energía en ventiladores de techo

El nivel de rendimiento y ahorro de energía de los ventiladores de techo dependen de su correcta instalación y uso. A continuación le presentamos algunas sugerencias para asegurar un rendimiento eficiente del producto.

Selección del lugar de montaje adecuado

Los ventiladores de techo se deben instalar en el centro de la habitación, a 2,13 m (7 pies) de altura del piso hasta la cuchilla como mínimo y 0,5m (18 pulgadas) de las paredes hasta la cuchilla. Si la altura del techo lo permite, instale el ventilador a 2,5m (8-9 pies) de altura del piso hasta la cuchilla para un flujo de aire óptimo. Consulte en su tienda minorista de Fanimation para obtener accesorios de montaje opcionales.

Apague el ventilador cuando no se encuentre en la habitación

Los ventiladores son para refrescar a la gente, no a las habitaciones. Si la habitación está vacía, apague el ventilador de techo para ahorrar energía.

Uso del ventilador de techo todo el año

En verano: Use el ventilador de techo en sentido contrario a las agujas del reloj. El flujo de aire que produce el ventilador creará un efecto frío del aire que lo refrescará más. Seleccione una velocidad que le proporcione una brisa confortable. Las velocidades más bajas consumen menos energía.

En invierno: Invierta el motor y haga funcionar el ventilador de techo a velocidad baja y en el sentido de las agujas del reloj. Esto produce una suave corriente ascendente, que obliga al aire cálido que se acumula cerca del techo a bajar al espacio ocupado. No olvide ajustar el termostato cuando utilice el ventilador de techo. Con este sencillo paso puede ahorrar energía adicional y dinero.

Requisitos eléctricos y estructurales

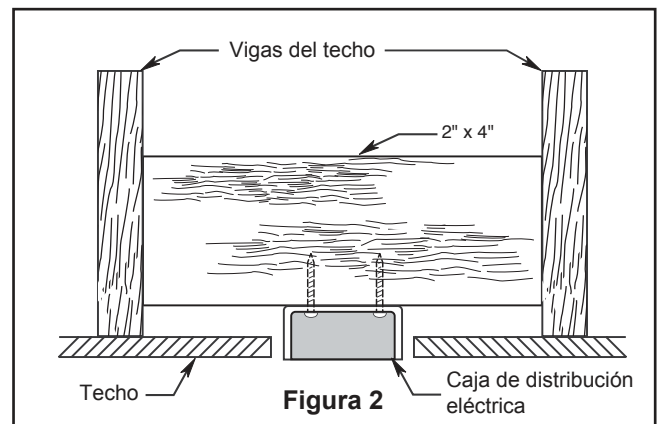
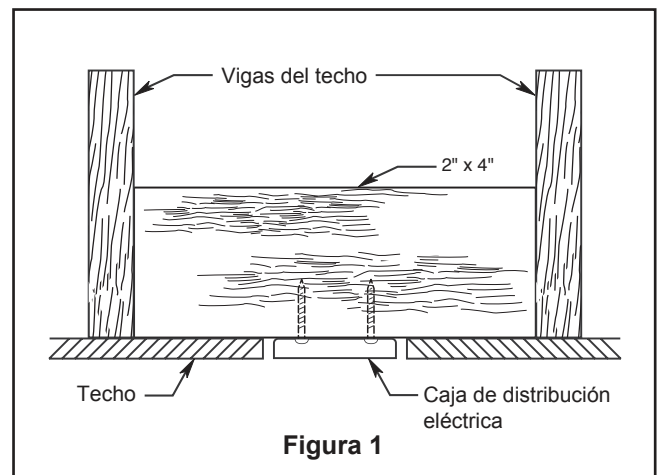
Su nuevo ventilador de techo requiere una línea de suministro eléctrico con conexión a tierra de 120 voltios de CA, 60 Hz, circuito de 15 amperios. La normativa eléctrica requiere el uso de una caja de distribución eléctrica para ventiladores que soporte el peso extra y el movimiento asociado a un ventilador de techo. La caja de distribución eléctrica será etiquetada como tal y soportará un ventilador de techo de un peso de hasta 70 libras. Dichas cajas varían en tipos y diseños. Asegúrese de que el tipo de su caja reúne los criterios para el ventilador que se está instalando. Las ilustraciones 1, 2 y 3 muestran las diferentes configuraciones estructurales que pueden ser utilizadas para dicha caja de distribución eléctrica.

Uso de perfil bajo (Figura 1)

La caja lisa de 1/2 pulgada de profundidad será atornillada a una viga o bloque. Se utilizará si solo un cable va a ser introducido en la caja. También está disponible en una configuración de montaje endosado.

Uso de perfil profundo (Figura 2)

La caja de 2-1/4 pulgada será atornillada a un bloque entre vigas que tenga suficiente espacio para colocar más de un cable.



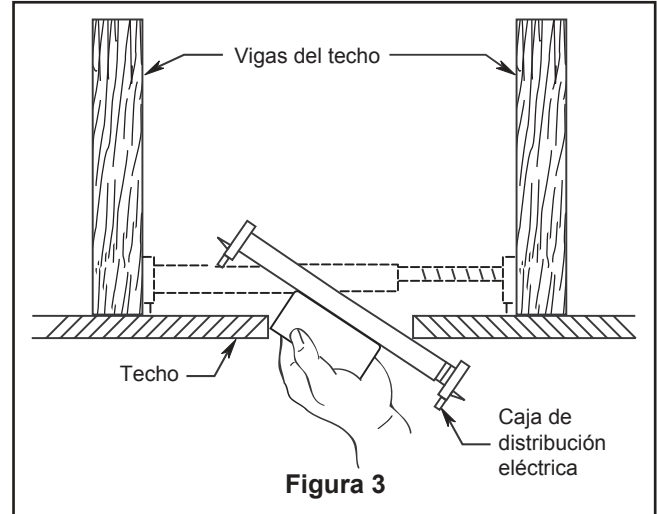
Requisitos eléctricos y estructurales (cont.)

Uso del soporte (Figura 3)

Conectado a una caja de distribución eléctrica, este colgador sirve para abarcar el espacio entre dos vigas y ocupar el lugar de bloqueo de la madera.

⚠ ADVERTENCIA

Para reducir el riesgo de incendios, descargas eléctricas o lesiones personales, fije el ventilador a la caja de distribución eléctrica marcada como aceptable para soporte de ventilador de 15,88kg (35lb). Utilice los tornillos suministrados con la caja de distribución eléctrica. La mayoría de las cajas de distribución eléctrica que comúnmente se utilizan como soporte de lámparas no son aptas para soporte de ventiladores y es posible que deban reemplazarse. Consulte a un electricista calificado si tiene dudas.



⚠ AVERTISSEMENT

Pour réduire le risque d'incendie, d'électrocution ou de blessure, montez sur une boîte de sortie indiquée comme étant acceptable pour supporter un ventilateur de 15,9 kg (35 livres) ou moins, et utilisez les vis de montage fournies avec la boîte de sortie. La plupart des boîtes de sortie communément utilisées pour supporter les luminaires ne sont pas acceptables pour supporter des ventilateurs et devraient être remplacées. Consultez un électricien qualifié en cas de doutes.

Si su ventilador va a sustituir una instalación de iluminación existente, desconecte la electricidad de la caja del fusible principal en esta ocasión y extraiga la unidad de iluminación.

⚠ ADVERTENCIA

Apagar el interruptor de pared no es suficiente. Para evitar posibles descargas eléctricas, asegúrese de que la electricidad esté desconectada en la caja de fusibles principal antes de realizar la instalación eléctrica. Toda instalación eléctrica debe cumplir con los códigos nacionales y locales y el ventilador de techo debe tener la conexión a tierra adecuada como forma de precaución ante posibles descargas eléctricas.

⚠ AVERTISSEMENT

Éteindre l'interrupteur mural ne suffit pas. Pour éviter tout risque d'électrocution, assurez-vous que l'alimentation électrique est coupée au niveau du boîtier à fusibles principal avant d'effectuer le câblage. Le câblage doit être entièrement conforme aux codes nationaux et locaux, et le ventilateur de plafond doit être correctement mis à la terre par mesure de précaution contre les risques d'électrocution.

⚠ ADVERTENCIA

A fin de evitar incendios o descargas eléctricas, siga con cuidado todas las instrucciones de instalación eléctrica. Cualquier trabajo eléctrico que no se describa en estas instrucciones deberá ser realizado o aprobado por un electricista autorizado.

⚠ AVERTISSEMENT

Respectez attentivement toutes les instructions de câblage pour éviter tout incendie ou électrocution. Tout travail électrique non décrit dans ces instructions doit être fait ou approuvé par un électricien agréé.

⚠ ADVERTENCIA

No utilice este ventilador con un controlador variable de pared (Rheostat) o un regulador de intensidad. Si lo hiciera podría dañar la unidad del mando a distancia del ventilador de techo.

⚠ AVERTISSEMENT

N'utilisez pas ce ventilateur avec un contrôleur mural (rhéostat) variable ou un gradateur. Cela pourrait endommager la télécommande du ventilateur de plafond.

Cómo colgar y realizar la instalación eléctrica del ventilador de techo

⚠ ADVERTENCIA

Para evitar una posible descarga eléctrica, asegúrese de cortar la alimentación eléctrica de la caja de fusibles principal antes de colgar el ventilador. (Figura 1)

⚠ AVERTISSEMENT

Assurez-vous que l'alimentation électrique est coupée au niveau du boîtier à fusibles principal avant de suspendre le ventilateur afin d'éviter tout risque d'électrocution. (Figure 1)

NOTA: Si no está seguro de si la caja de salida tiene conexión a tierra, pida consejo a un electricista certificado, ya que debe tener conexión a tierra para un funcionamiento seguro.

⚠ ADVERTENCIA

Es fundamental que la caja de distribución eléctrica y los tornillos estén bien asegurados a la estructura armada y que sean capaces de soportar una carga de, al menos, 15,9 kg (35 lb). Si los tornillos no están correctamente colocados, el ventilador podría caerse.

⚠ AVERTISSEMENT

La boîte de sortie doit être solidement ancrée et acceptable pour supporter un ventilateur de 15,9 kg (35 livres) au moins. Le support de suspension doit reposer fermement contre la boîte de sortie.

Aditamentos utilizados:

ABRAZADERA DEL CABLE DE SOPORTE DEL TECHO CON TORNILLO



x 1

1. Utilice el tornillo de intervalo de 3/8" x 2" y la arandela plana para fijar el cable de seguridad a la viga del techo o a la estructura de madera. Dicho tornillo pasará a través de arandela plana, la presilla del cable de seguridad y se fijará en la estructura del edificio. (Figura 3)
2. El cable de soporte del techo necesita atravesar el centro. Orificio del soporte de techo durante el montaje. Usando los dos tornillos # 8-32 sujetan firmemente la junta del soporte de techo y el soporte del techo a la caja de conexiones del techo como se muestra. (Figura 3)

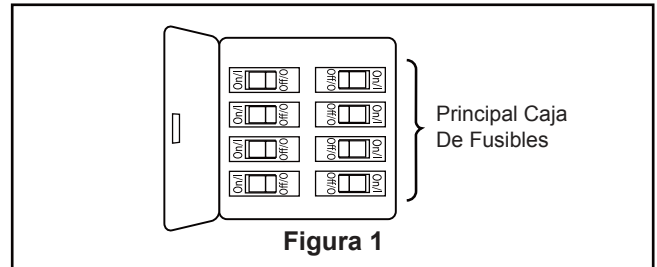


Figura 1

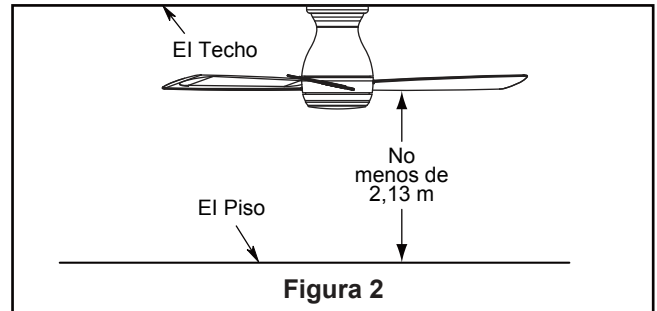


Figura 2

⚠ ADVERTENCIA

Debe colgar el ventilador a una distancia mínima de 2,13 m desde las aspas hasta el piso. (Figura 2)

⚠ AVERTISSEMENT

Le ventilateur doit être accroché de façon à ce que ses pales soient au moins à 7 pieds. (Figure 2)

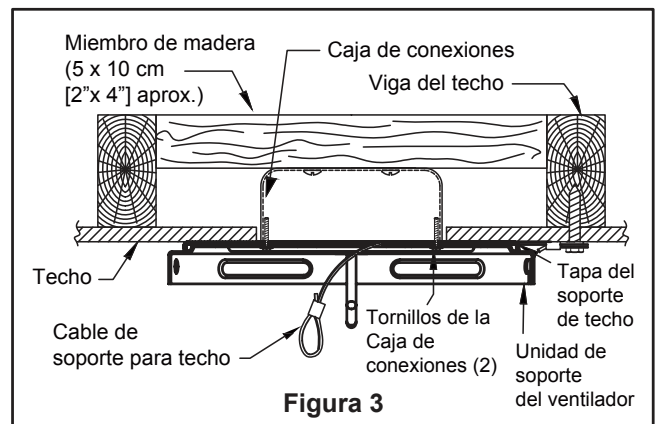


Figura 3

PRECAUCIÓN

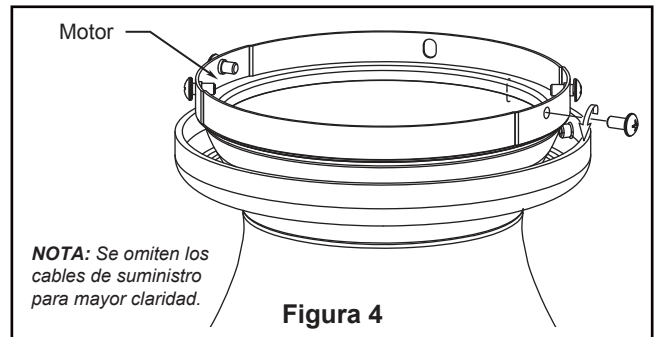
No conecte las aspas hasta que el ventilador esté totalmente instalado. Instalar el ventilador con las aspas colocadas podría ocasionar daños en las mismas.

ATTENTION

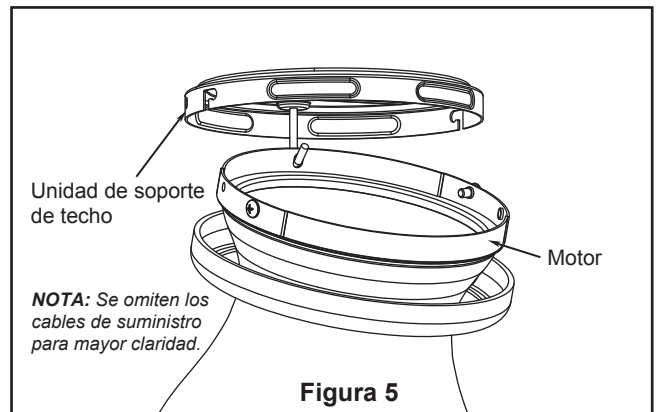
Ne raccordez pas les pales du ventilateur tant que le ventilateur n'est pas complètement installé. Suspendre un ventilateur avec des lames raccordées peut endommager les pales du ventilateur.

Cómo colgar y realizar la instalación eléctrica del ventilador de techo (cont.)

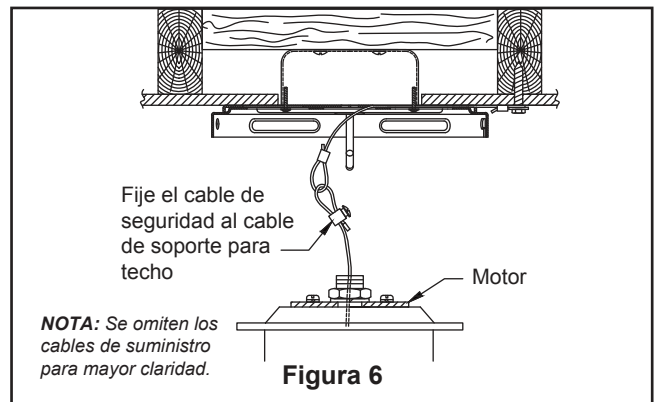
3. Extraiga los dos tornillos del el motor. Guárdelos para después y afloje levemente los otros dos tronillos. (Figura 4)



4. Introduzca la unidad del motor en la unidad del soporte del techo tal y como se muestra en la ilustración. (Figura 5)



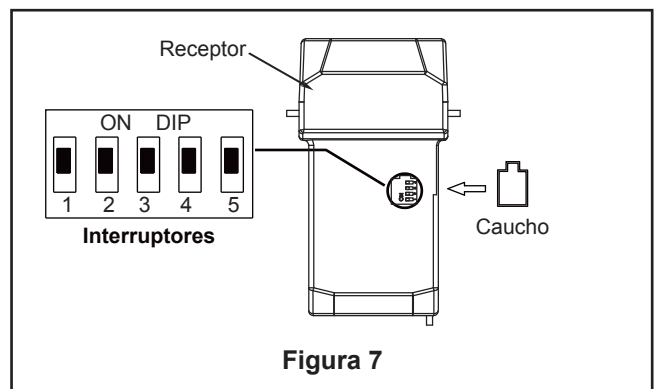
5. Conecte el cable de seguridad para cable de soporte de techo. Deslice la abrazadera del cable en el cable de seguridad (del ventilador). Coloque el extremo del cable a través del bucle del cable de soporte de techo. Tire de la cantidad de cable a través del bucle como sea posible. Introduzca el extremo del cable en el orificio de la abrazadera y apriete firmemente el tornillo (Figura 6). Corte el exceso de cable de seguridad.



6. Asegúrese de que los cables de suministro eléctrico, incluido el cable de conexión a tierra del soporte de suspensión y el cable de seguridad, hayan atravesado el barral, entre el soporte de suspensión y la caja de conexiones, de modo que más tarde se pueda realizar la instalación eléctrica.

NOTA: El mando a distancia incluido en este ventilador tiene 32 combinaciones diferentes de códigos. Para evitar posibles interferencias desde o hacia otros mandos a distancia, modifique el código de combinación de su transmisor y receptor.

7. Para configurar el código de unidad del receptor. Deslice los interruptores de código a las mismas posiciones que en el transmisor. Si completa el proceso de configuración, coloque la caucho (incluido) en la unidad del receptor. (Figura 7)



NOTA: Los ajustes de fábricas vienen con todos los interruptores hacia arriba. No utilice esta posición.

Cómo colgar y realizar la instalación eléctrica del ventilador de techo (cont.)

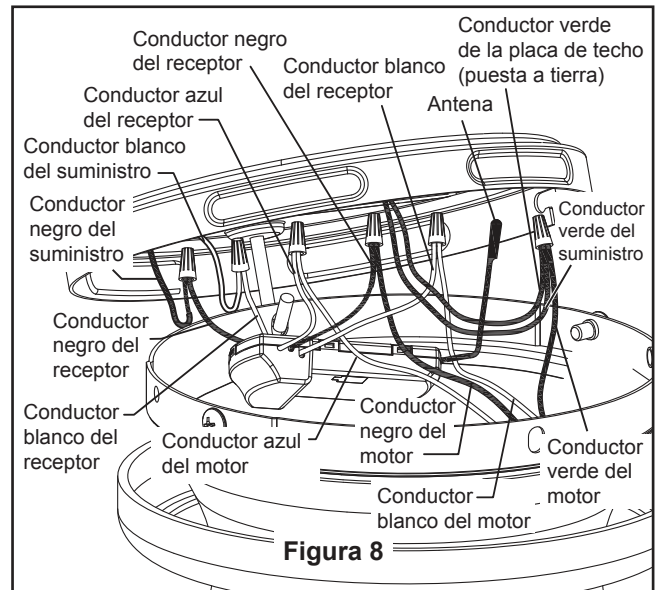
- 8. Conecte los cables usando conectores como se muestra en la figura 8.
- 9. Luego de empalmar los cables y realizar la conexión, sepárelos y dóblelos hacia arriba con el conductor con conexión a tierra y el unidad del techo a tierra del equipo debe ir en un lado de la caja de distribución eléctrica y el unidad del techo a tierra debe ir del otro lado. (Figura 8)

⚠ ADVERTENCIA

Verifique que todas las conexiones estén ajustadas, incluida la conexión a tierra, y que no haya conductores desnudos visibles en los conectores. No opere el ventilador hasta que las aspas estén instaladas. Podría ocasionar ruidos y daños al motor.

⚠ AVERTISSEMENT

Vérifiez que tous les raccordements sont bien serrés, y compris la mise à la terre, et qu'aucun fil dénudé n'est visible au niveau des capuchons de connexion. Ne faites pas fonctionner le ventilateur avant d'avoir installé les pales. Du bruit et des dommages au moteur pourraient en résulter.



Aditamentos utilizados:

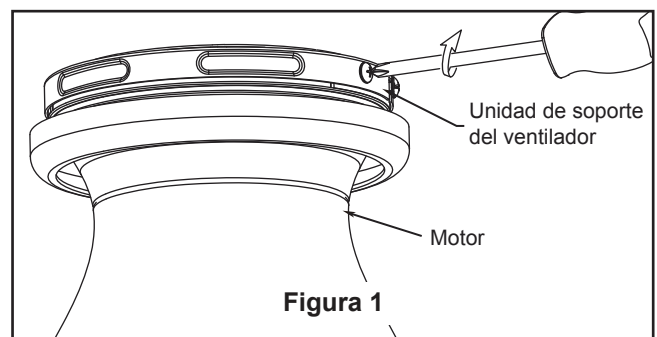
Conectores de cable



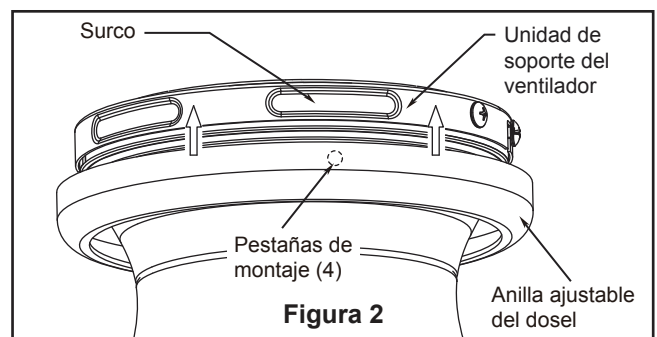
x 6

Cómo ensamblar el ventilador de techo

- 1. Instale la unidad del motor a la unidad de soporte de techo utilizando los tornillos retirados previamente fije con seguridad los tres tornillos. (Figura 1)



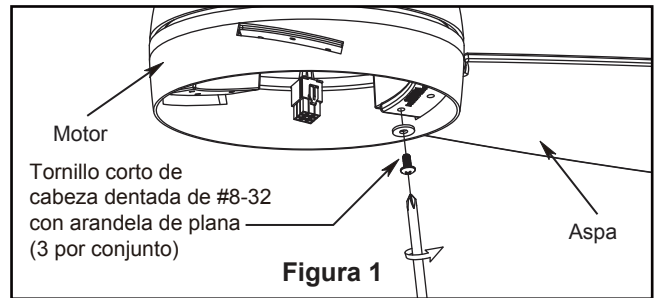
- 2. Presione hacia arriba el anillo de la cubierta de tornillos para ocultar los tornillos. Así, las pestañas de montaje se coloquen en las ranuras con muescas ubicadas en la cubierta del techo entre los tornillos. (Figura 2)



Cómo ensamblar las aspas del ventilador de techo

1. Coloque las palas a través de las ranuras en la cubierta del motor y fije la unidad del motor usando los Tornillo corto de cabeza dentada #8-32 y las arandelas de plana. Asegúrese de que los tornillos fijan adecuadamente las palas al centro del motor estando éstas colocadas correctamente. (Figura 1)

NOTA: Revise periódicamente las piezas de los aspas y vuelva a ajustarlas si fuese necesario.



NOTA DE INSTALACIÓN

No conecte las aspas hasta que el ventilador esté totalmente instalado. Instalar el ventilador con las aspas colocadas podría ocasionar daños en las mismas.

Aditamentos utilizados

#8-32 Tornillo corto de cabeza dentada		x 9
Arandela de plana		x 9

⚠ ADVERTENCIA

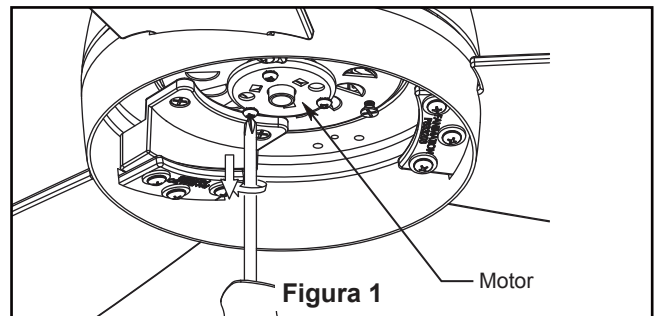
Para reducir el riesgo de lesiones personales, no doble las aspas al instalar, balancear o limpiar el ventilador. No coloque objetos extraños entre las aspas del ventilador en funcionamiento.

⚠ AVERTISSEMENT

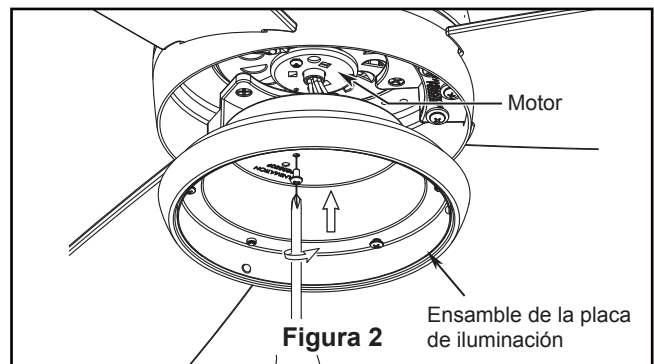
Afin de réduire le risque de blessure, ne pliez pas les porte-pales lors de l'installation, de l'équilibrage des pales, ou du nettoyage du ventilateur. N'insérez pas de corps étrangers entre les pales en rotation.

Cómo ensamblar su el kit de iluminación o la tapa

1. Extraiga uno de los tres tornillos del soporte ubicado en la parte inferior de la unidad del motor. Guárdelos para después y afloje levemente los otros dos tronillos. (Figura 1)

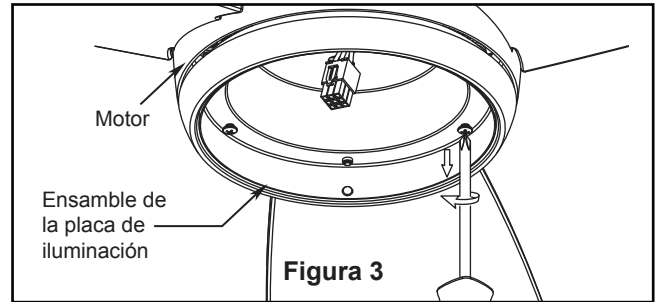


2. Instale la ensamble de la placa de iluminación en el soporte utilizando las dos ranuras principales de conexión. Vuelva a colocar el tercer tornillo y asegure los tres tronillos. (Figura 2)



Cómo ensamblar su el kit de iluminación o la tapa (cont.)

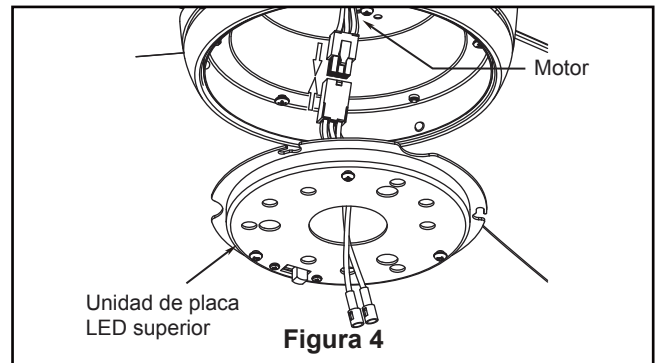
3. Extraiga uno de los tres tornillos del ensamble de la placa de iluminación y guárdelos para paso 5. Afloje levemente los otros dos tornillos. (Figura 3)



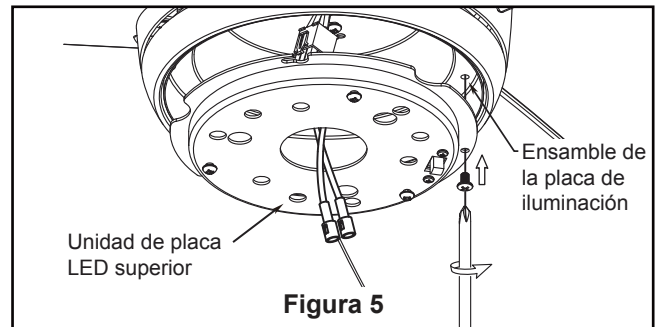
4. Fije adecuadamente el conector unidad de placa LED superior de 9 clavijas en la conexión del arnés del cableado ubicado en la unidad del motor. (Figura 4)

⚠ ADVERTENCIA
La etiqueta de color de estos dos conectores debe corresponder mutuamente.

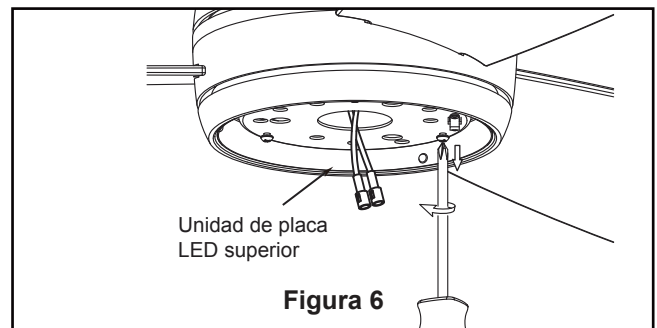
⚠ AVERTISSEMENT
L'étiquette de couleur sur ces deux connecteurs doit correspondre les uns aux autres.



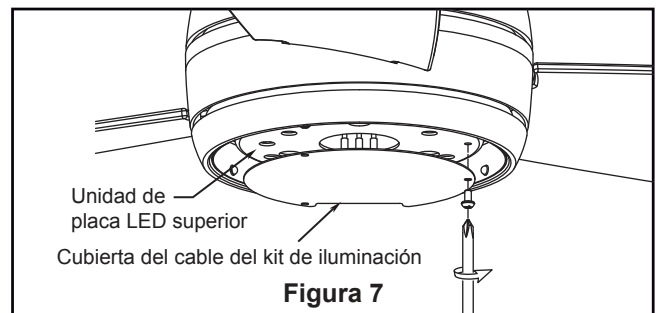
5. Instale la unidad de placa LED superior a la unidad del kit de iluminación usando las dos ranuras claves de la unidad de placa LED superior. Vuelva a colocar el tercer tornillo y fije con seguridad los tres tornillos. (Figura 5)



6. Extraiga los tres tornillos del Unidad de placa LED superior y Guárdelos para después. (Figura 6)



7. Si desea instalar el kit de iluminación, sáltese este paso.
Instale la cubierta del cable del kit de iluminación en la unidad de placa LED superior utilizando los tornillos retirados previamente fije con seguridad los tres tornillos. (Figura 7)



Cómo ensamblar su el kit de iluminación o la tapa (cont.)

8A. (Opción A – Para su uso con el kit de iluminación)

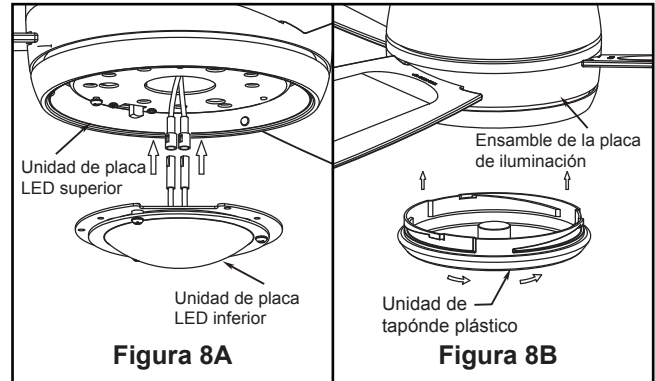
Instale el conector de 2 clavijas desde unidad de placa LED inferior conexión a la unidad del Unidad de placa LED superior. (Figura 8A)

PRECAUCIÓN

A fin de reducir el riesgo descargas eléctricas, desconecte el circuito de suministro eléctrico al ventilador antes de instalar el kit de iluminación.

ATTENTION

Pour réduire le risque d'électrocution, débranchez le circuit d'alimentation électrique du ventilateur avant d'installer le kit d'éclairage.

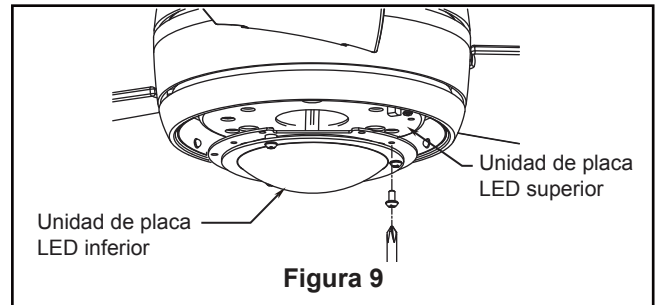


8B. (Opción B – Para su uso con la tapón de plástico)

Si desea instalar la tapón de plástico y no el conjunto de luz. Monte el la tapón de plástico en la adaptador de carcasa del interruptor girándolo en el sentido de las agujas del reloj. No apriete demasiado. (Figura 8B)

NOTA: Si ha instalado su ventilador con la tapón de plástico, sátese los pasos 9 a 10.

9. Instale la unidad de placa LED inferior sobre la unidad de placa LED superior utilizando los tornillos retirados previamente fije con seguridad los tres tornillos. (Figura 9)



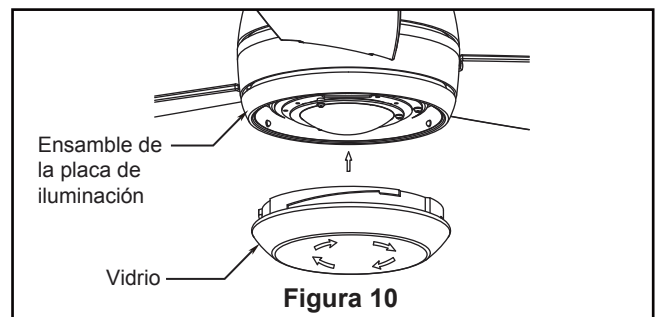
PRECAUCIÓN

La fuente de luz está diseñado para esta aplicación específica y puede recalentarse si reparado por personal no capacitado. Si se requiere ningún tipo de servicio, el producto debe ser devuelto a un centro de servicio autorizado para su revisión o reparación.

ATTENTION

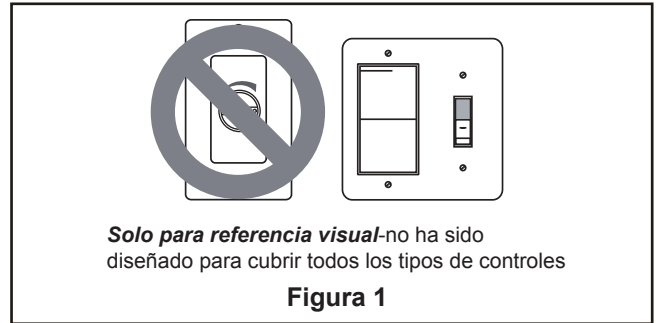
La source lumineuse est conçue pour cette application spécifique et peut surchauffer si par un personnel non formé. Si un entretien est nécessaire, le produit doit être retourné à un centre de service agréé pour examen ou réparation.

10. Asegure el vidrio en la ensamble de la placa de iluminación girándolo en el sentido de las agujas del reloj y sin apretar demasiado. (Figura 10)

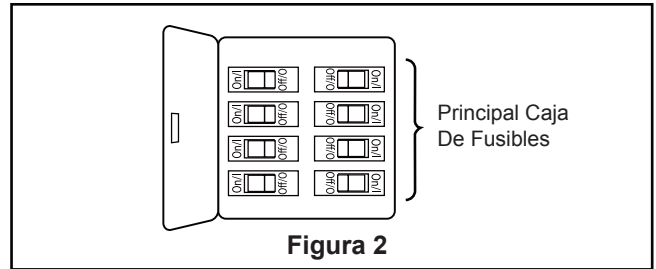


Cómo utilizar su ventilador de techo

- 1. IMPORTANTE:** El uso de un regulador de la intensidad completa (no incluido) para controlar la velocidad del ventilador dañará el dispositivo. Para reducir el riesgo de incendio o descarga eléctrica, no utilice dicho regulador para controlar la velocidad del ventilador. (Figura 1)



- 2.** Restaure la fuente de alimentación de la toma de corriente enciendiendo la electricidad del fusible principal. (Figura 2)



⚠ ADVERTENCIA

Compruebe que todas las conexiones realizadas correctamente, incluyendo la toma de tierra, y que no se visualizan ningún cable pelado en los conectores de cables, con la excepción del cable de toma de tierra. No utilice el ventilador hasta que las palas estén colocadas en su lugar, ya que de lo contrario se podría causar ruido y daños.

⚠ ADVERTENCIA

No utilice este ventilador con un controlador variable de pared (Rheostat) o un regulador de intensidad. Si lo hiciera podría dañar la unidad del mando a distancia del ventilador de techo.

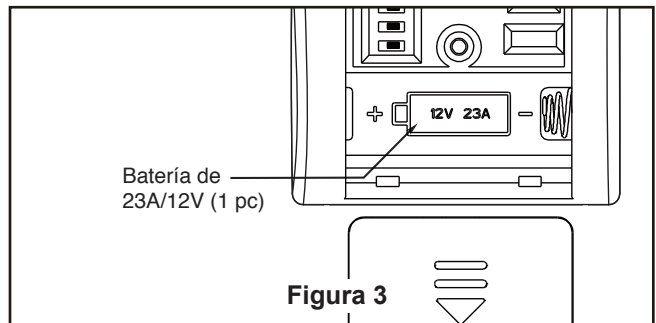
⚠ AVERTISSEMENT

Vérifiez que tous les raccordements sont bien serrés, y compris la mise à la terre, et qu'aucun fil dénudé n'est visible au niveau des capuchons de connexion, à l'exception du fil de mise à la terre. Ne faites pas fonctionner le ventilateur avant d'avoir installé les pales. Du bruit et des dommages au ventilateur pourraient en résulter.

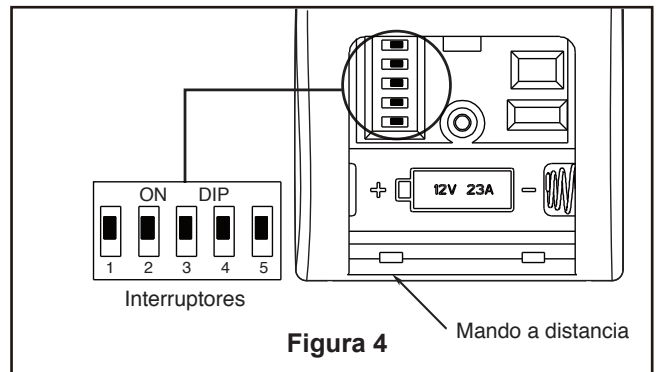
⚠ AVERTISSEMENT

N'utilisez pas ce ventilateur avec un contrôleur mural (rhéostat) variable ou un gradateur. Cela pourrait endommager la télécommande du ventilateur de plafond.

- 3.** Para que el ventilador sea funcional, instale las pila (incluidas) de 23A/12V en el transmisor del mando a distancia. Mientras el ventilador esté apagado. A continuación, siga el proceso de fijación remota de código. Si no se utiliza el ventilador durante un largo periodo de tiempo, extraiga la batería para evitar cualquier daño al transmisor. Almacene el mando a distancia en un lugar alejado del calor o la humedad excesiva. (Figura 3)








- 4.** Para configurar el código del mando a distancia, mueva los interruptores de código hasta colocar el código de selección en la posición arriba o abajo. Con un destornillador pequeño o con una lapicera (no se incluye) deslice firmemente hacia arriba o hacia abajo. (Figura 4)



NOTA: Los ajustes de fábricas vienen con todos los interruptores hacia arriba. No utilice esta posición.

Cómo utilizar su ventilador de techo (cont.)

5. Funciones del control remoto: (Figura 5)

- • • • Luz LED del indicador: Velocidad del ventilador
-  Botón: Apaga el ventilador.
- Velocidad del ventilado:
 - △ Enciende el ventilador y aumenta la velocidad.
 - ▽ Enciende el ventilador y disminuye la velocidad.
-  Botón de la lámpara: Enciende o apaga la luz
 - △ Enciende el ventilador y aumenta la velocidad.
 - ▽ Apaga el ventilador y disminuye la velocidad.
- Temporizador de apagado automático:
 -  Pulse y tanto el ventilador y la iluminación se apagarán tras 1 hora.
 -  Pulse y tanto el ventilador y la iluminación se apagarán tras 3 hora.
 -  Pulse y tanto el ventilador y la iluminación se apagarán tras 6 hora.

NOTA: El mando a distancia incluido en este ventilador tiene 32 combinaciones diferentes de códigos. Para evitar posibles interferencias desde o hacia otros mandos a distancia, modifique el código de combinación de su transmisor y receptor.

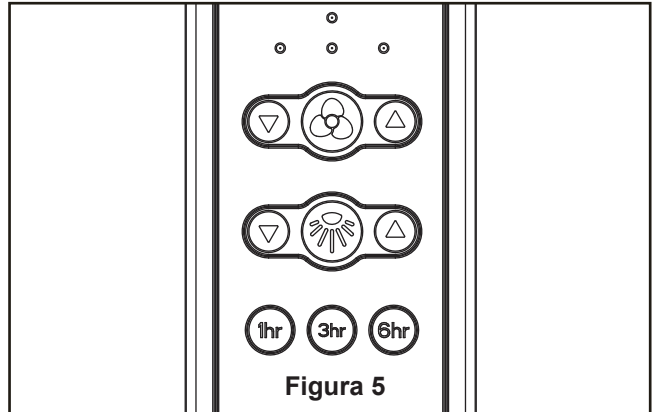


Figura 5

- ### 6. Si desea que el flujo de aire se desplace en la dirección opuesta, apague el ventilador y espere a que. Extraiga el vidrio o tapón de plástico desde el ensamblaje de la placa de iluminación. Luego deslice el conmutador inversor dentro de la placa de iluminación a la posición contraria y vuelva a encender el ventilador. (Figura 6)

Información sobre el interruptor de reversa		
Temporada	Dirección de rotación	Posición del interruptor
Verano	En dirección con traria a las manecillas del reloj	Izquierda
Invierno	En dirección de las manecillasdel reloj	Derecha

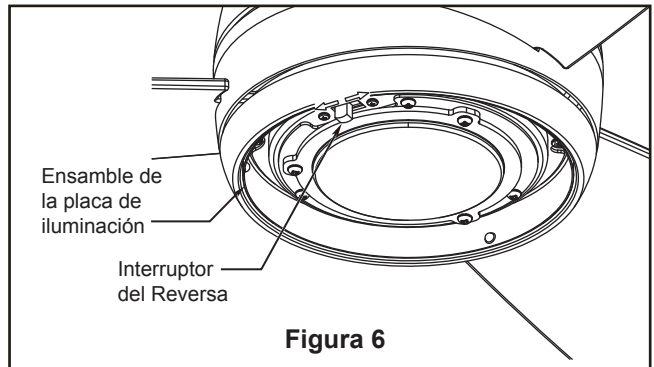
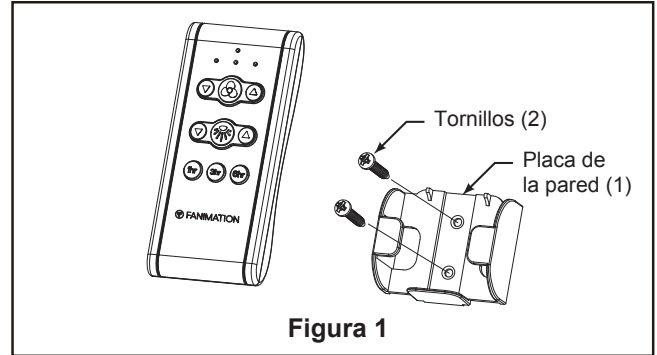


Figura 6

Cómo instalar su mando a distancia

1. Instalación de la placa de la pared: (Figura 1)
Fije la placa de la pared usando los dos tornillos suministrados.



Mantenimiento

El único mantenimiento necesario para el ventilador de techo es una limpieza periódica.
Al llevar a cabo la limpieza, use sólo un cepillo suave o un paño sin pelusas, para evitar rayar el acabado.
No se requieren agentes abrasivos de limpieza; los mismos deben evitarse para prevenir daños en el acabado.

PRECAUCIÓN

No utilice solventes para limpiar el ventilador de techo. Podrían dañar el motor o las aspas y ocasionar posibles descargas eléctricas.

ATTENTION

N'utilisez pas d'eau pour nettoyer votre ventilateur de plafond. Cela pourrait endommager le moteur ou la finition, et créer une possibilité d'électrocution.

Limpieza de las aspas

Se recomienda limpiar el polvo de las aspas periódicamente. Lo mejor es utilizar un plumero.

Evite usar agua, productos de limpieza o trapos ásperos, que pueden combar o dañar las aspas.

Solución de problemas

ADVERTENCIA

Para su propia seguridad, desconecte la electricidad de la caja de fusibles o disyuntor antes de solucionar problemas en su ventilador.

AVERTISSEMENT

Pour votre sécurité, placez le coffret à fusibles ou le disjoncteur hors tension avant de tenter d'identifier tout problème pouvant affecter votre ventilateur.

Problema	Causa posible	Solución sugerida
1. EL VENTILADOR NO ARRANCA	<ol style="list-style-type: none"> 1. El fusible o el disyuntor están fundidos. 2. Las conexiones eléctricas del ventilador o del interruptor en la caja del interruptor están flojas. 3. Pila agotada del mando a distancia. 4. El conmutador inversor se encuentra en posición neutra. 	<ol style="list-style-type: none"> 1. Controle los fusibles del circuito principal y derivado o los disyuntores. 2. Controle las conexiones eléctricas del ventilador y del interruptor en las cajas de los interruptores. PRECAUCIÓN: ¡Asegúrese de que el suministro principal de electricidad esté desconectado! ATTENTION: Assurez-vous que l'alimentation électrique principale est coupée ! 3. Sustituir con una pila nueva. 4. Asegúrese de que el conmutador inversor esté completamente a un lado.
2. EL VENTILADOR HACE RUIDO	<ol style="list-style-type: none"> 1. Las aspas no están sujetas al ventilador 2. Hay tornillos flojos en la caja del motor. 3. Los conectores de cables dentro de la caja hacen ruido. 4. Ruido del motor provocado por el control de velocidad de estado sólido variable. 	<ol style="list-style-type: none"> 1. Ajuste las aspas al ventilador antes de ponerlo en funcionamiento. 2. Asegúrese de que todos los tornillos de la caja del motor estén bien ajustados (pero no en exceso). 3. Asegúrese de que los conectores de cables en la caja del interruptor no produzcan ruido al rozar unos con otros o al rozar la pared interior de la caja del interruptor. PRECAUCIÓN: ¡Asegúrese de que el suministro principal de electricidad esté desconectado! ATTENTION: Assurez-vous que l'alimentation électrique principale est coupée ! 4. Algunos motores de ventilador son sensibles a las señales de los controles de velocidad de estado sólido variables. Los controles de estado sólido no son recomendables. Escoja un método de control alternativo.
3. EL VENTILADOR OSCILA EN EXCESO	<ol style="list-style-type: none"> 1. Los tornillos que aseguran los aspas al buje del motor están flojos. 2. El soporte de suspensión o la caja de distribución eléctrica del techo no están bien asegurados. 	<ol style="list-style-type: none"> 1. Asegúrese de que los tornillos que fijan los aspas al buje del motor del ventilador estén bien ajustados. 2. Ajuste los tornillos del soporte de suspensión de la caja de distribución eléctrica y asegúrela.

Lista de piezas

Modelos N.º FPS8332B**

N.º de Ref.	Descripción	Pieza # N.º
1	Tapa del soporte de techo	P835501BL
2	Unidad de soporte del ventilador	AP835502BL
3	Unidad del motor	AMA8332B**
4	Juego de aspas	AP833203**
5	Unidad de placa LED superior	AP833211
6	Unidad de placa LED inferior	AP835519D3090
7	Ensamble de la placa de iluminación/vidrio	AP835520**
8	Cubierta del cable del kit de iluminación	P835522
9	Unidad de tapón de plástico	AP835521**
10	Mano a distancia	TR500
11	Receptor	RCCA05005002
12	Bolsa de accesorios:	HDWFPS8332B**
	Conectores de cables (4)	
	Tornillos para cajas de conexiones, acero inoxidable (2)	
	Arandela plana, acero inoxidable (2)	
	Cable de seguridad y Bolsa	
	Bolsa de accesorios para el montaje de aspas:	
	#8-32 Tornillos corto de cabeza dentada (10)	
	Arandela plana (10)	

***Inserte los CÓDIGOS DE ACABADO (consulte el número de modelo del ventilador que se encuentra en el soporte de barra)*

Antes de desechar los materiales de embalaje, asegúrese de haber extraído todas las piezas

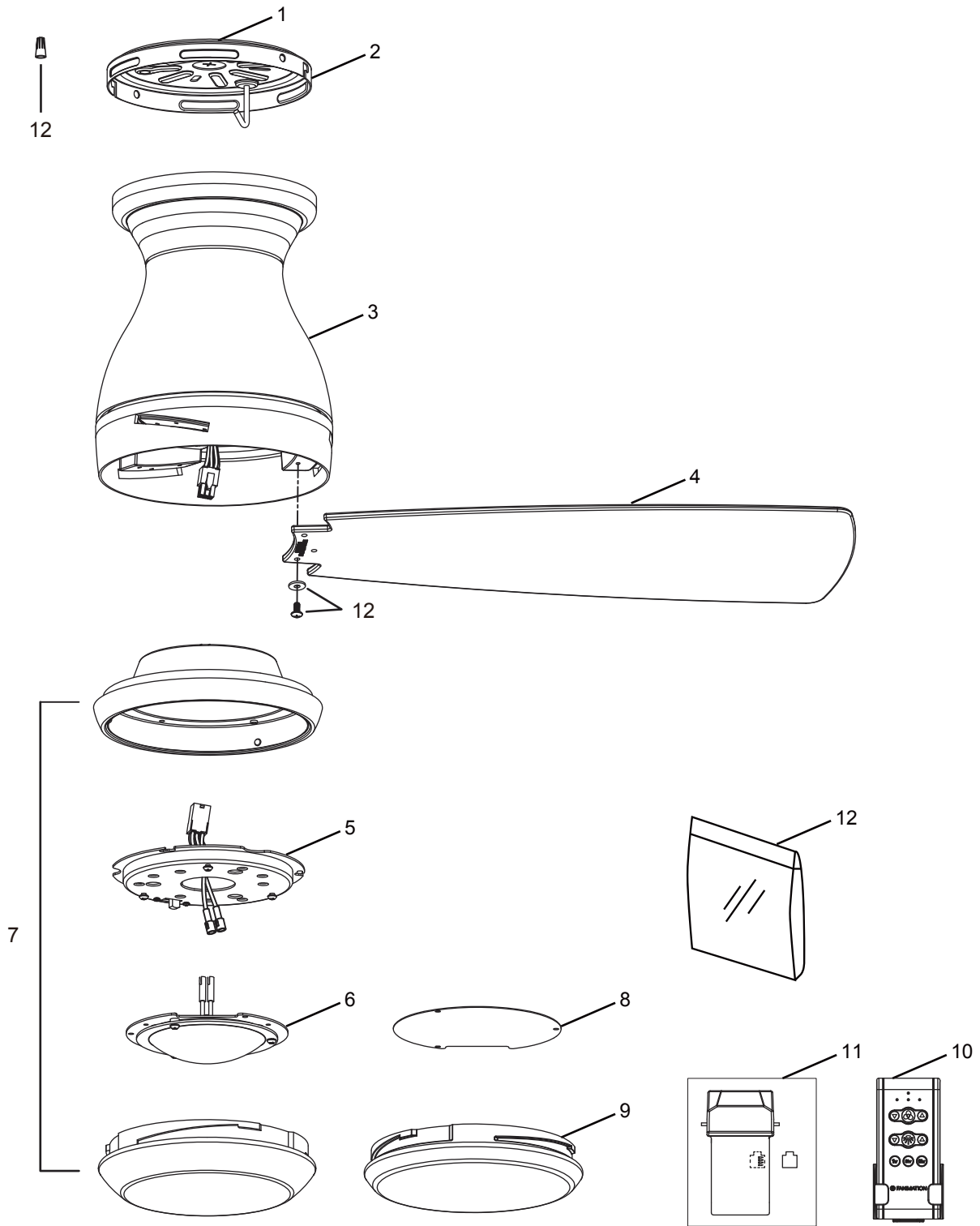
Cómo hacer un pedido de piezas

Al hacer un pedido de piezas de repuesto, proporcione siempre la siguiente información:

- Número de pieza
- Descripción de la pieza
- Número de modelo del ventilador

Póngase en contacto con su tienda para obtener las piezas de repuesto.

HUGH™ 44
Modelo FPS8332B**
Ilustración del despiece



NOTA: La ilustración que se muestra no está hecha a escala y su configuración real y/o terminación puede variar.



10983 Bennett Parkway
Zionsville, IN 46077
Llame sin cargo al (888) 567-2055
FAX (866) 482-5215
Desde fuera de los EE.UU., llame al (317) 733-4113
Visite nuestro sitio Web en www.fanimation.com

2019/10 V.01
Copyright 2019 Fanimation