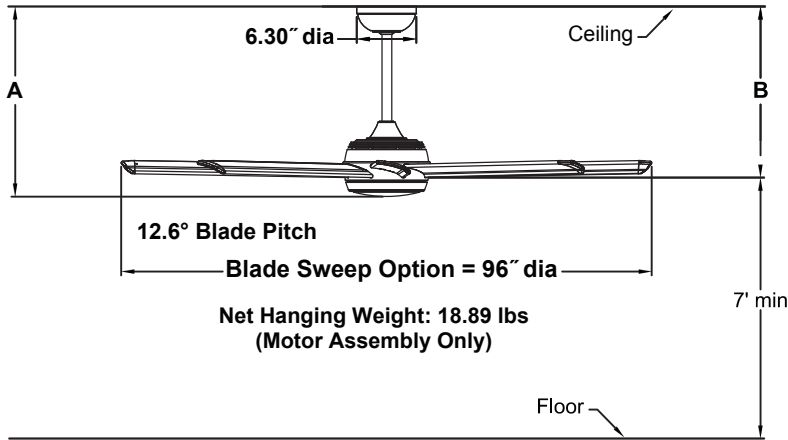


STELLAR™ 96

MAD7998
96" Ceiling Fan**



INSTALLATION REQUIREMENTS:

Fan must be attached to a securely anchored electrical junction box capable of withstanding a load of at least 35 lbs.

ELECTRICAL REQUIREMENTS:

Requires a grounded electrical supply line of 120 volts AC, 60 Hz, 15 amp circuit.

MOTOR SPECS:

DC153 x 25 sensorless Neodymium Fe Boron DC motor is designed for optimal performance with this fan.

BLADES:

A set of eight 45" aluminum blades—sold separately.

LIGHTING OPTIONS:

One 18-watt LED included.

CONTROL OPTIONS:

TR205 hand-held remote control is included. Push button remote control with variable fan speeds, fresh air, reverse, infinite light levels, fan/light timer, home away, safe exit and off button. Optional TW206 wall control is available—sold separately. Instruction is provided with each control.

DOWNROD OPTIONS:

Fan comes with 1" dia. x 12" long wet-location downrod (DR1SS-12). Optional wet-location downrods are available in 18", 24", 36", 48", 60", and 72" lengths. A downrod coupler is available for installations requiring a downrod longer than 72". Fan can be mounted on a sloped ceiling up to 27°. Most sloped ceiling installations require a downrod longer than the standard 36" downrod. Optional sloped ceiling ball kits (SCB1-52) are available for slope angles greater than 27° and up to 42°. Optional close-to-ceiling kit is available. Call technical support for more information.

LOCATION USE:

Fan is rated for dry, damp and wet locations.

	A	B
Fan w/12" downrod	20.61"	18.61"
Fan w/18" downrod	26.61"	24.61"
Fan w/24" downrod	32.61"	30.61"
Fan w/36" downrod	44.61"	42.61"
Fan w/48" downrod	56.61"	54.61"
Fan w/60" downrod	68.61"	66.61"
Fan w/72" downrod	80.61"	78.61"

Available Finishes	
Fan / Housing	
BLW	Black with Silver Top Plastic Ring and bottom Glass Ring and Black Steel Cap
SLW	Silver with Black Top Plastic Ring and bottom Glass Ring and Silver Steel Cap
Blades Options	
<ul style="list-style-type: none"> • Black with Silver Tips • Silver with Black Tips 	

Airflow / Energy Efficiency Info (120V)					
Fan Speed	Max RPM	CFM	CFM / Watts	Amps	Watts
High	66	14548	376	0.52	39
Med	49	11180	621	0.28	18
Low	29	6294	1399	0.08	5

Light Bulb Information (120V)					
Bulb Type	Watts	QTY	Lumens Amount	Color Temp	CRI
LED	18	1	1400	3000	90%