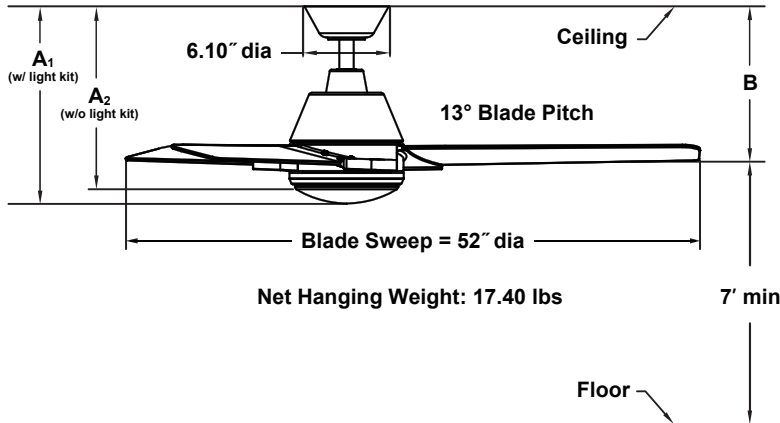


PYRAMID™

FP8406** 52" Ceiling Fan



	A ₁	A ₂	B
Fan w/4.5" downrod	14.52"	13.15"	12.18"
Fan w/12" downrod	22.02"	20.65"	19.68"
Fan w/18" downrod	28.02"	26.65"	25.68"
Fan w/24" downrod	34.02"	32.65"	31.68"
Fan w/36" downrod	46.02"	44.65"	43.68"
Fan w/48" downrod	58.02"	56.65"	55.68"
Fan w/60" downrod	70.02"	68.65"	67.68"
Fan w/72" downrod	82.02"	80.65"	79.68"

INSTALLATION REQUIREMENTS:

Fan must be attached to a securely anchored electrical junction box capable of withstanding a load of at least 35 lbs.

ELECTRICAL REQUIREMENTS:

Requires a grounded electrical supply line of 120 volts AC, 60 Hz, 15 amp circuit.

MOTOR SPECS:

153 x 20 AC motor is designed for optimal performance with this fan.

BLADES:

A set of three 23" composite blades is included.

LIGHTING OPTIONS:

One 18-watt LED included.

CONTROL OPTIONS:

TR500 hand-held remote control is included. Push button remote control with variable fan speeds, infinite light levels and off button. Optional WC1WH, WC2WH, WR500WH, WR501WH and CWRL4 wall controls, CRL4WH hand held remote control and WFR50 WiFi receiver unit are available — sold separately. Instructions are provided with each control.

DOWNROD OPTIONS:

Fan comes with a 1" dia. x 4.5" long downrod (DR1-45). Optional downrods are available in 12", 18", 24", 36", 48", 60" and 72" lengths. A downrod coupler is available for installations requiring a downrod longer than 72". Fan can be mounted on a sloped ceiling up to 19°. Most sloped ceiling installations require a standard 12" downrod or longer downrod. Optional sloped ceiling kits (SCK1-52) are available for up to 42°. Optional close-to-ceiling kit is available as well — sold separately. Call technical support for more information.

LOCATION USE:

Fan is rated for dry and damp locations. This fan is for room up to 400 sq ft.

Available Finishes

BL	Black with Black Blades and Opal Frosted Lampshade/Steel Cap
BN	Brushed Nickel with Brushed Nickel Blades and Opal Frosted Lampshade/Steel Cap
MW	Matte White with Matte White Blades and Opal Frosted Lampshade/Steel Cap

Airflow / Energy Efficiency Info (120V)

Fan Speed	Max RPM	CFM	CFM / Watts	Amps	Watts
High	186	4827	81	0.50	60
Med	131	3293	104	0.37	32
Low	79	1924	148	0.24	13

Energy Guide FTC

Power (W _{ave})	Total Air Delivery (CFM _{ave})	Estimated Yearly Energy Cost (\$)	Ceiling Fan Efficiency (CFM/W)
38	3466	11	90

Light Bulb Information (120V)

Bulb Type	Watts	QTY	Lumens Amount	Color Temp	CRI
LED	18	1	1500	3000	90%