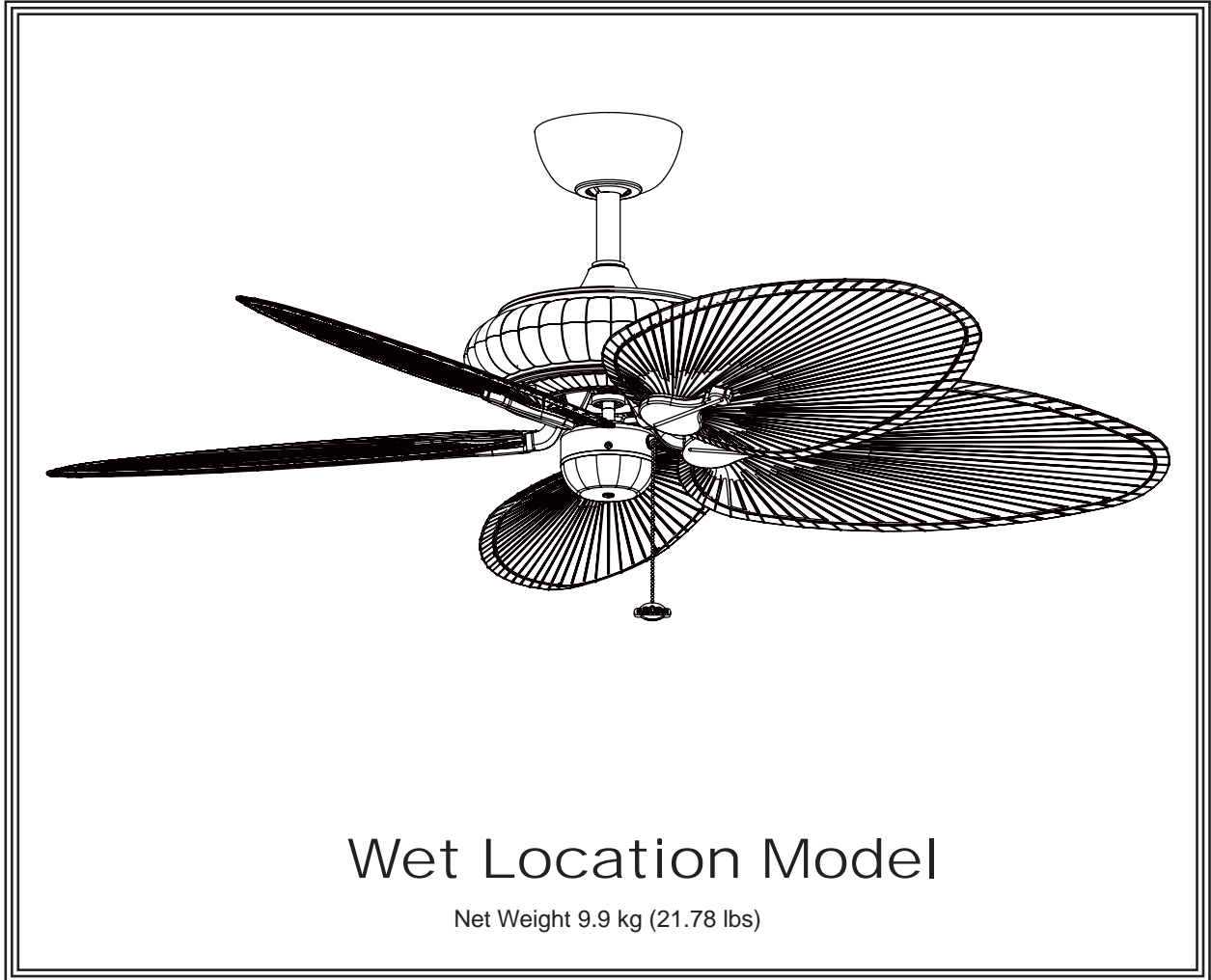


The Belleria[®]

Ceiling Fan



Model No. FP4320**1

OWNER'S MANUAL
READ AND SAVE THESE INSTRUCTIONS



Important Safety Instructions

WARNING: To avoid fire, shock and serious personal injury, follow these instructions.

1. Read your owner's manual and safety information before installing your new fan. Review the accompanying assembly diagrams.
2. Before servicing or cleaning unit, switch power off at service panel and lock service panel disconnecting means to prevent power from being switched on accidentally. When the service disconnecting means cannot be locked, securely fasten a warning device, such as a tag, to the service panel.
3. Be careful of the fan and blades when cleaning, painting, or working near the fan. Always turn off the power to the ceiling fan before servicing.
4. Do not insert anything into the fan blades while the fan is operating.
5. Do not operate reversing switch until fan blades have come to a complete stop.

Additional Safety Instructions

1. To avoid possible shock, be sure electricity is turned off at the fuse box before wiring, and do not operate fan without blades.
2. All wiring and installation procedures must satisfy National Electrical Codes (ANSI/ NFPA 70-1999) and Local Codes. The ceiling fan must be grounded as a precaution against possible electrical shock. Electrical installation should be made or approved by a licensed electrician.
3. The fan base must be securely mounted and capable of reliably supporting at least 35 lbs. Consult a qualified electrician if in doubt.
4. The fan must be mounted with the fan blades at least 7 feet from the floor to prevent accidental contact with the fan blades.
5. Follow the recommended instructions for the proper method of wiring your ceiling fan. If you do not have adequate electrical knowledge or experience, have your fan installed by licensed electrician.

WARNING: TO REDUCE THE RISK OF SHOCK, DO NOT USE THIS FAN WITH ANY SOLID-STATE SPEED CONTROL DEVICE.

WARNING: This product is designed to use only those parts supplied with this product and/or accessories designated specifically for use with this product. Using parts and/or accessories not designated for use with this product could result in personal injury or property damage.

WARNING: To reduce the risk of personal injury, do not bend the blade bracket (flange or blade holder) when installing the brackets, balancing the blades, or cleaning the fan. Do not insert foreign objects in between rotating fan blades.

LIMITED LIFETIME WARRANTY

Extends to the original purchaser of a Fanimation Fan

1. **LIMITED LIFETIME MOTOR WARRANTY** - If any part of your fan motor fails, due to a defect in materials or workmanship during the lifetime of the original purchaser, Fanimation will provide the replacement part free of charge, when the defective fan is returned to our national service center. Proof of purchase is required. Customer shall be responsible for all costs incurred in the removal or reinstallation and shipping of the product for repairs or replacement.
2. **ONE YEAR MOTOR LABOR WARRANTY** - If your fan motor fails at any time within one year from the original purchase, due to defects in materials or workmanship, labor to repair the motor will be provided free of charge at our national service center. Purchaser will be responsible for labor charges after this one-year period. Customer shall be responsible for all costs incurred in the removal or reinstallation and shipping of the product for repairs or replacement.
3. If any other part of your fan fails at any time within one year after original purchase, due to a defect in materials or workmanship, we will repair, or replace, at our option, the defective part free of charge for parts and labor performed at our national service center.
4. Because of varying climate conditions, this warranty does not cover changes in the finish, including rusting, pitting, corroding, tarnishing, or peeling.
5. This warranty is void and does not apply to damage from improper installation, neglect, accident, misuse, exposure to extremes of heat or humidity, or as a result of any modification to the original product.
6. All costs of removal and reinstallation of the fan are the sole responsibility of the owner of the fan and not the store that sold the fan or Fanimation.
7. Fanimation reserves the right to modify or discontinue any product at any time and may substitute any part under this warranty.
8. Under no circumstances may a fan be returned without prior authorization from Fanimation. The receipt of purchase must accompany authorized returns and must be sent freight prepaid to Fanimation. The fan to be returned must be properly packed to avoid damage in transit; Fanimation will not be responsible for any damage resulting from improper packaging.
9. It is understood that any repair or replacement is the exclusive remedy available from Fanimation. There is no other expressed or implied warranty. Fanimation hereby disclaims any and all implied warranties, including, but not limited to those of merchantability and fitness for a particular purpose to the extent permitted by law. Some states do not allow limitations on implied warranties. Fanimation will not be liable for incidental, consequential, or special damages arising out of or in conjunction with product use or performance, except as may otherwise be accorded by law. This warranty gives you special legal rights and you may also have other rights that vary from state to state.
10. A certain amount of wobble is normal and should not be considered a problem or a defect.

Table of Contents

| | |
|---|----|
| Unpacking Instructions..... | 3 |
| Energy Efficient Use of Ceiling Fans | 4 |
| Electrical and Structural Requirements | 4 |
| How to Assemble Your Ceiling Fan | 5 |
| How to Hang Your Ceiling Fan | 7 |
| How to Wire Your Ceiling Fan - Pull Chain | 8 |
| Installing the Canopy Housing..... | 8 |
| Mounting the Fan Blades | 9 |
| Operating Instructions - Pull Chain | 10 |
| Maintenance..... | 10 |
| Blade Cleaning..... | 10 |
| Parts List | 11 |
| Exploded-View Drawing | 12 |
| Trouble Shooting..... | 13 |

This manual is designed to make it as easy as possible for you to assemble, install, operate, and maintain your ceiling fan

Tools Needed for Assembly

- One Phillips head screwdriver
- One wire stripper
- One stepladder
- Four wire connectors (supplied)
- One ¼" blade screwdriver

Materials

Wiring outlet box and box connectors must be of type required by local code. The minimum wire would be a 3-conductor (2-wire with ground) of the following size:

| Installed Wire Length | Wire Size A.W.G. |
|-----------------------|------------------|
| Up to 50 ft. | 14 |
| 50 - 100 ft. | 12 |

NOTE: Place the parts from the loose parts bags in a small container to keep them from being lost. If any parts are missing, contact your local retailer.

⚠ WARNING

Before assembling your ceiling fan, refer to section on proper method of wiring your fan (page 8). If you feel you do not have enough wiring knowledge or experience, have your fan installed by a licensed electrician.

Unpacking Instructions

For your convenience, check-off each step. As each step is completed, place a check mark. This will ensure that all steps have been completed and will be helpful in finding your place should you be interrupted.

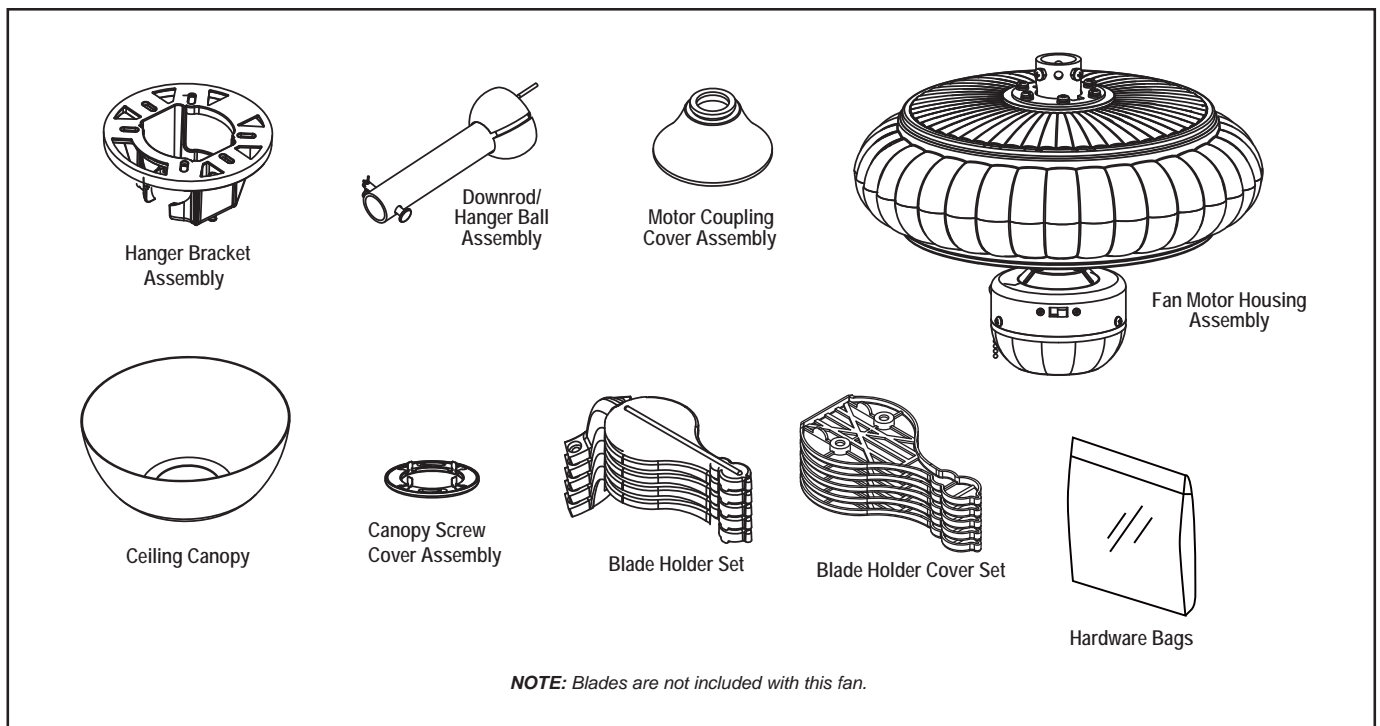
⚠ WARNING

Do not install or use fan if any part is damaged or missing. This product is designed to use only those parts supplied with this product and/or any accessories designated specifically for use with this product by Fanimation. Substitution of parts or accessories not designated for use with this product by Fanimation could result in personal injury or property damage. Contact your retail store for missing or damaged parts.

- Fan Motor/Housing assembly
- Hanger Bracket Assembly
- Wet Downrod/Hanger Ball assembly
- Ceiling Canopy
- Canopy Screw Cover Assembly
- Motor Coupling Cover Assembly
- Blade Holders Set
- Blade Holder Covers Set
- Hardware bag:
 - Eleven ¼-20 x ⅝" (blade holder to fan motor hub) screws with lockwashers
 - Eleven ⅜-24 x 10mm (blade to blade holder) Phillips-Head screws
 - Four wire connectors
 - Phillips screwdriver, 4"
 - Chain Coupler
 - Chain Fob
 - Balance Kit
 - Two 8-32 junction box screws
 - "T" Allen Wrench
 - Two Flat Washer Ø10 x Ø5 x 0.8 mm, stainless steel

1. Check to see that you have received the following parts:

NOTE: If you are uncertain of part description, refer to exploded view illustration. (Figure 1, page 12)



Energy Efficient Use of Ceiling Fans

Ceiling fan performance and energy savings rely heavily on the proper installation and use of the ceiling fan. Here are a few tips to ensure efficient product performance.

Choosing the Appropriate Mounting Location

Ceiling fans should be installed, or mounted, in the middle of the room and at least 7 feet above the floor and 18 inches from the walls. If ceiling height allows, install the fan 8 - 9 feet above the floor for optimal airflow. Consult your Fanimation Retailer for optional mounting accessories.

Turn Off When Not in the Room

Ceiling fans cool people, not rooms. If the room is unoccupied, turn off the ceiling fan to save energy.

Using the Ceiling Fan Year Round

Summer Season: Use the ceiling fan in the counter-clockwise direction. The airflow produced by the ceiling fan creates a wind-chill effect, making you "feel" cooler. Select a fan speed that provides a comfortable breeze, lower speeds consume less energy.

Winter Season: Reverse the motor and operate the ceiling fan at low speed in the clockwise direction. This produces a gentle updraft, which forces warm air near the ceiling down into the occupied space. Remember to adjust your thermostat when using your ceiling fan - additional energy and dollar savings could be realized with this simple step!

Electrical and Structural Requirements

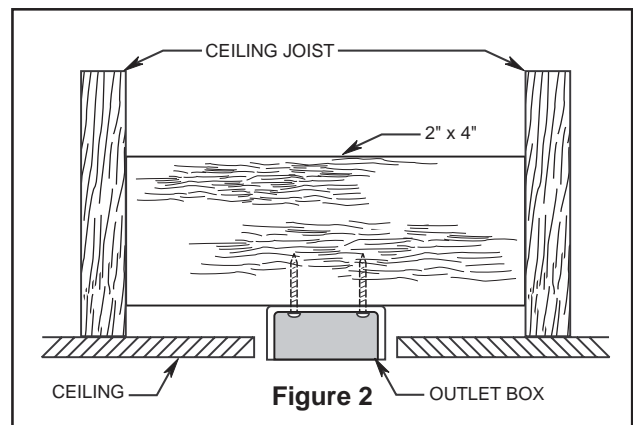
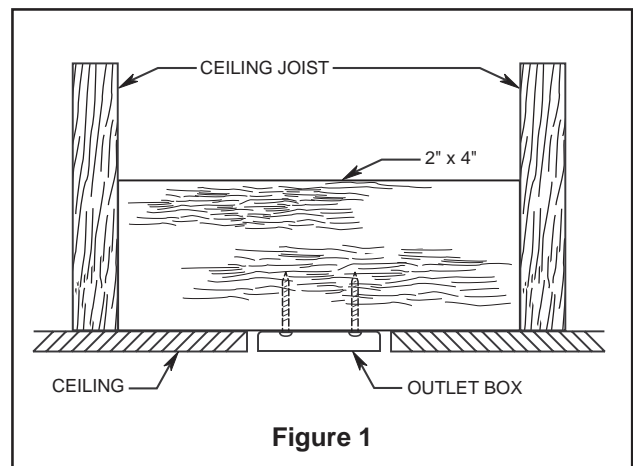
Your new ceiling fan will require a grounded electrical supply line of 120 volts AC, 60 HZ, 15 Amp Circuit. Electrical code requires use of a fan-rated outlet box to support the extra weight and motion associated with a ceiling fan. A fan-rated box will be labeled as such and typically supports up to a 70lb ceiling fan. Fan-Rated Outlet Boxes vary in ratings and design. Ensure the ratings of your ceiling fan outlet box meet the requirements for the ceiling fan being installed. Figure 1, Figure 2 and Figure 3 depicts different structural configurations that may be used for mounting the outlet box.

Low profile usage diagram idea (Figure 1)

A 1/2-in.-deep pancake box is meant to be screwed to a joist or block. It's used if only one cable is coming into the box. It is also available in a saddle-mount configuration.

Deeper profile usage diagram idea (Figure 2)

A 2-1/4-in.-deep box can be attached to blocking between joists and is roomy enough to handle more than one cable.



Electrical and Structural Requirements (Continued)

No blocking (Figure 3)

Paired with a deep box, this hanger is meant to span between two joists and takes the place of wooden blocking.

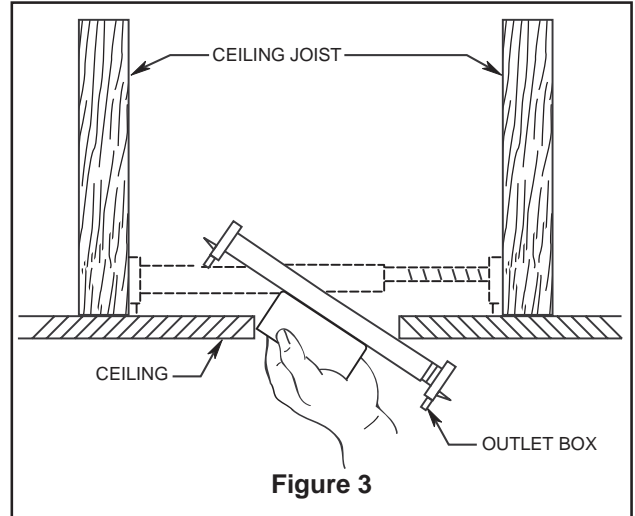
WARNING

To reduce the risk of fire, electric shock, or personal injury, mount to outlet box marked acceptable for fan support of 15.9 kg (35 lbs) or less and use mounting screws provided with the outlet box. Most outlet boxes commonly used for the support of luminaires are not acceptable for fan support and may need to be replaced, consult a qualified electrician if in doubt.

If your fan is to replace an existing light fixture, turn electricity off at the main fuse box at this time and remove the existing light fixture.

WARNING

Turning off wall switch is not sufficient. To avoid possible electrical shock, be sure electricity is turned off at the main fuse box before wiring. All wiring must be in accordance with National and Local codes and the ceiling fan must be properly grounded as a precaution against possible electrical shock.

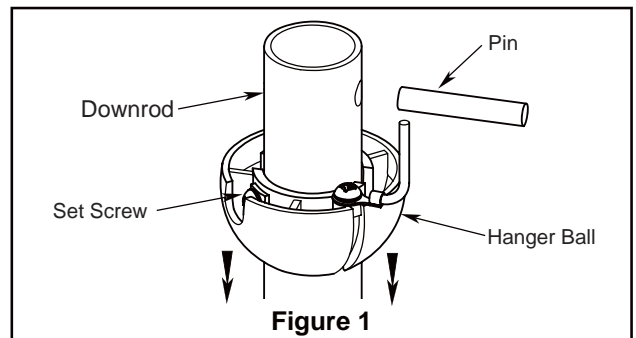


WARNING

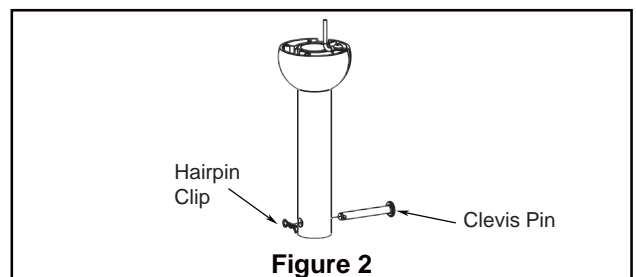
To avoid fire or shock, follow all wiring instructions carefully. Any electrical work not described in these instructions should be done or approved by a licensed electrician.

How to Assemble Your Ceiling Fan

1. Remove the hanger ball portion from the downrod/hanger ball assembly by loosening the set screw in the hanger ball until the ball falls freely down the downrod. Remove the pin from the downrod, then remove the hanger ball. Retain the pin and hanger ball for reinstallation in Step 6. (Figure 1)



2. Remove the hairpin clip and clevis pin from the bottom of downrod. Retain the pin and clip for reinstallation in Step 4 (Figure 2).



How to Assemble Your Ceiling Fan (continued)

3. The fan comes with blue, black, and white 80" wires. Separate and untwist the three wires. Route the wires through the downrod. (Figure 3)

NOTE: You will be using either the 6" downrod supplied with your fan or an optional downrod purchased separately.

4. Loosen the two setscrews in the downrod support. Align the clevis pin holes in the downrod with the holes in the downrod support. Install the clevis pin and secure with the hairpin clip. Be sure to push the straight leg of the hairpin clip through the hole near the end of the clevis pin until the curved portion of the hairpin clip snaps around the clevis pin. The hairpin clip must be properly installed to prevent the clevis pin from working loose. Pull on the downrod to make sure the clevis pin is properly installed. (Figure 4)

⚠ WARNING

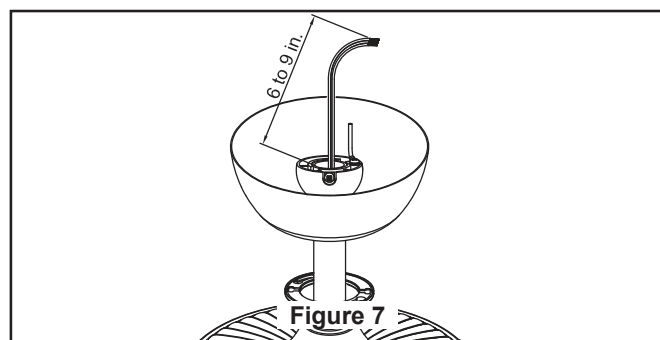
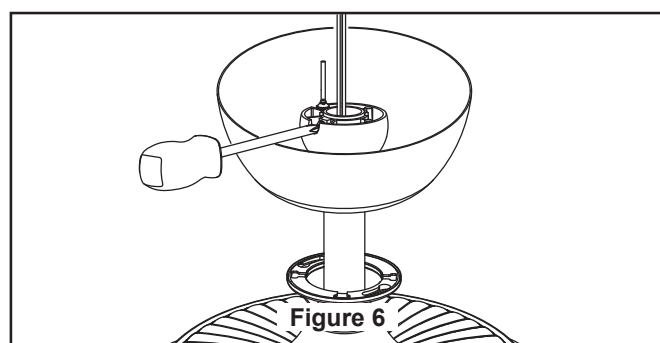
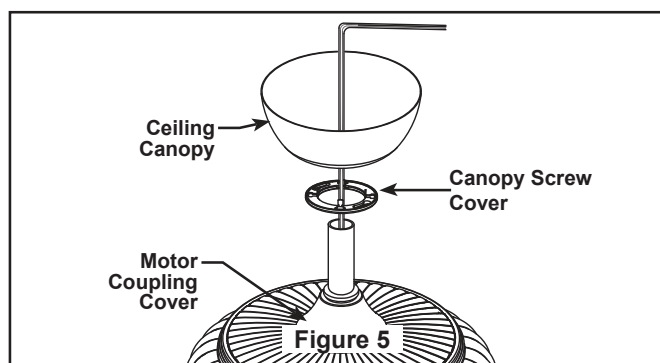
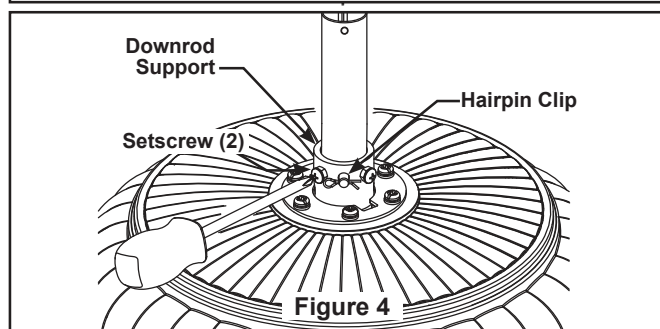
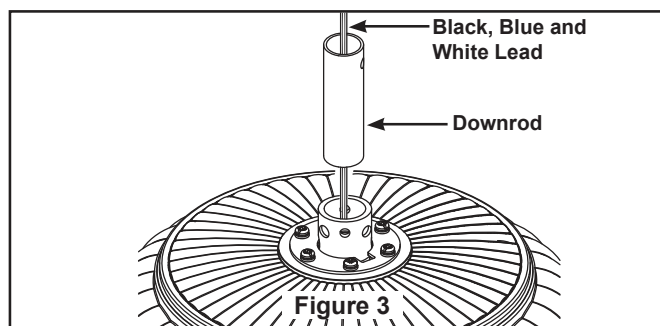
It is critical that the clevis pin in the downrod support is properly installed and the setscrews are securely tightened. Failure to verify that the pin and setscrews are properly installed could result in the fan falling.

5. Route wires through motor coupling cover/canopy with canopy screw cover on fan shown with open side facing up. (Figure 5)

6. Reinstall the hanger ball on the downrod as follows. Route the three 80" wires and cable through the hanger ball. Position the pin through the two holes in the downrod and align the hanger ball so the pin is captured in the groove in the top of the hanger ball. Pull the hanger ball up tight against the pin. **Securely tighten the setscrew in the hanger ball. A loose setscrew could create fan wobble.** (Figure 6)

7. Before installing fan, measure up approximately 6-9 inches above top of downrod/hanger ball assembly. Cut off excess wire and strip back insulation 1/2" from end of wire. (Figure 7)

NOTE: All set screws must be checked and retightened where necessary before installation.



How to Hang Your Ceiling Fan

⚠ WARNING

To avoid possible fire or shock, be sure electricity is turned off at the main fuse box before hanging. (Figure 8)

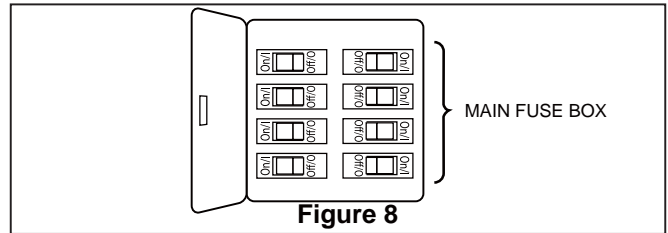


Figure 8

NOTE: If you are not sure if the outlet box is grounded, contact a licensed electrician for advise, as it must be grounded for safe operation.

⚠ WARNING

The fan must be hung with at least 7' of clearance from floor to blades. (Figure 9)

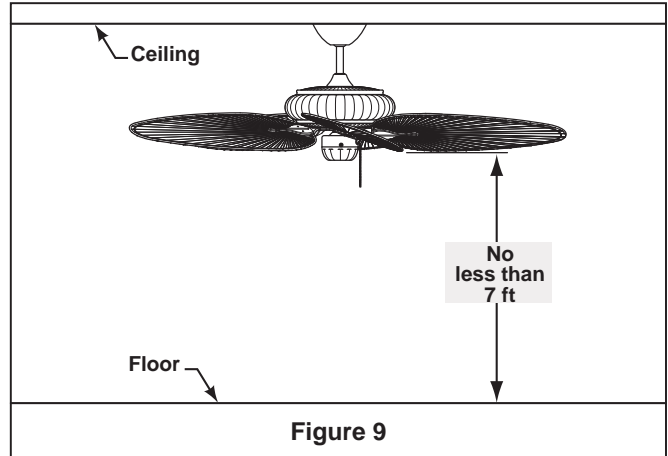


Figure 9

1. Securely attach the hanger bracket to the outlet box using the outlet box screws and washers supplied with the fan. (Figure 10)

⚠ WARNING

The outlet box must be securely anchored. Hanger bracket must seat firmly against outlet box. If the outlet box is recessed, remove wall board until bracket contacts box. If bracket and /or outlet box are not securely attached, the fan could wobble or fall.

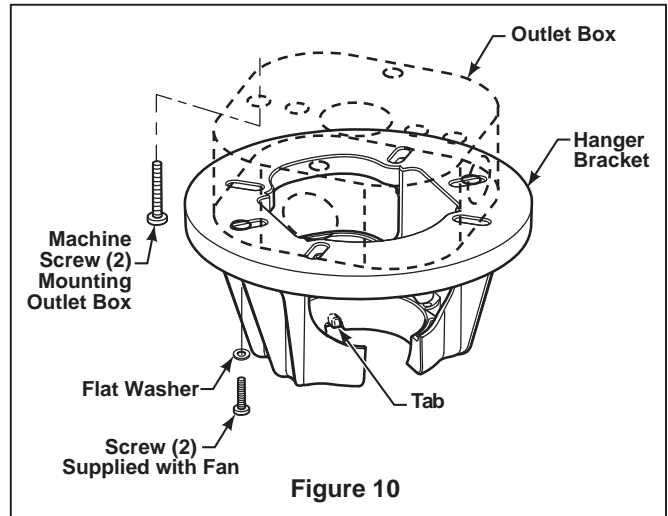


Figure 10

2. Carefully lift the fan and seat the downrod/hanger ball assembly on the hanger bracket that was just attached to the outlet box. Be sure the groove in the ball is lined up with tab on the hanger bracket. (Figure 11)

⚠ WARNING

Failure to seat tab in groove could cause damage to electrical wires and possible shock or fire hazard.

⚠ WARNING

To avoid possible shock, do not pinch wires between the hanger ball assembly and the hanger bracket.

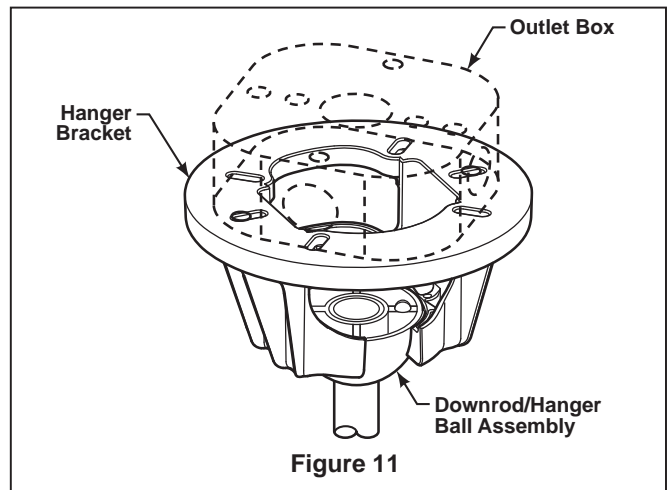


Figure 11

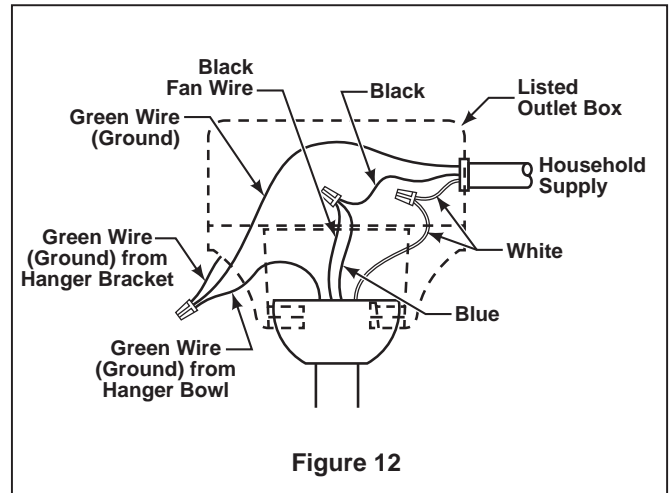
How to Wire Your Ceiling Fan - Pull Chain

If you feel that you do not have enough electrical wiring knowledge or experience, have your fan installed by a licensed electrician.

⚠ WARNING

To avoid possible electrical shock, be sure electricity is turned off at the main fuse box before wiring.
NOTE: If you are not sure if the outlet box is grounded, contact a licensed electrician for advice, as it must be grounded for safe operation.

1. Connect the green grounding lead from the hanger ball and the green grounding lead from the hanger bracket to the supply grounding conductor (this may be a bare wire or wire with green colored insulation). Securely connect wires with wire connectors supplied.
2. Securely connect the white fan motor wire to the white supply (neutral) wire using wire connector supplied. Securely connect the black fan motor wire and blue wire to the black supply wire using wire connector supplied (Figure 12). After connections have been made, turn leads upward and carefully push leads into the outlet box, with the white and green leads on one side of the outlet box and the black and blue leads on the other side of the outlet box.
3. Secure the ceiling canopy to the hanger bracket with threaded rods, external lockwashers, and knurled knobs provided (see page 11). Your fan is now wired to be turned on and off from the fan pull chain speed control.



HARDWARE USED:

WIRE CONNECTORS  x 3

⚠ WARNING

Check to see that all connections are tight, including ground, and that no bare wire is visible at the wire connectors, except for the ground wire. Do not operate fan until the blades is in place. Noise and motor damage could result.

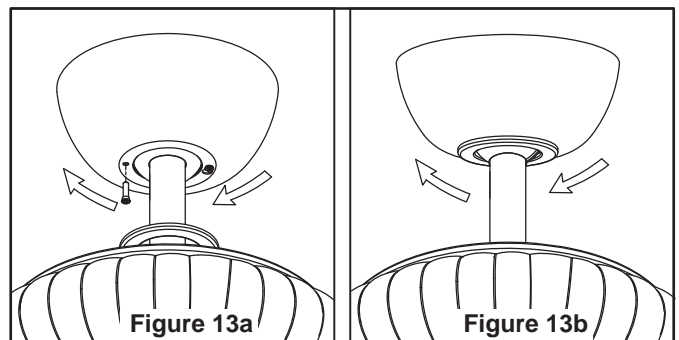
Installing the Canopy Housing

NOTE: This step is applicable after the necessary wiring is completed.

⚠ WARNING

To avoid possible fire or shock, make sure that the electrical wires are completely inside the canopy housing and not pinched between the housing and the ceiling.

1. Remove one of the two shoulder screws in the hanger bracket. Loosen the second shoulder screw without fully removing it. Assemble canopy by rotating key slot in canopy over shoulder screw in hanger bracket. Tighten shoulder screw. Fully assemble and tighten second shoulder screw that was previously removed. (Figure 13a)
2. Securely attach and tighten the Canopy Screw Cover over the shoulder screws in the Hanger Bracket utilizing the keyslot twist-lock feature (Figure 13b).



Mounting the Fan Blades

- 1. Remove and discard the (rubber) motor “stops” by removing the four screws. (Figure 14)

INSTALLATION NOTE

Do not connect fan blades until the fan is completely installed. Installing the fan with blades assembled may result in damage to the fan blades.

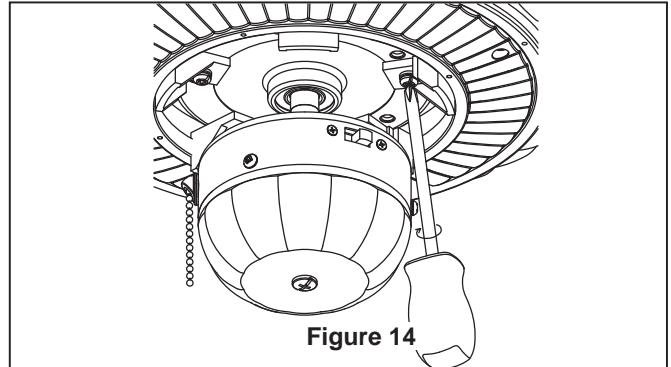


Figure 14

NOTE: You will find the fan blade set packed in its own carton and the blade holders and hardware bag in the fan box.

- 2. Lay flat side of blade holder arm on a flat surface with the inside of the blade holder arm facing up. This is the side with the threaded posts and pitched foot. Position the blade cover the blade holder with the threaded posts showing. Make sure the bottom edge of the blade is fully seated against the blade holder arm. Place blade holder cover on top of the blade, positioning the holes over the threaded posts. With a Philips screwdriver, thread both screws into the posts but do not fully tighten. Prior to final tightening, position the centerline of the blade holder with the center of the end of the blade. Tighten both screws to secure the blade. (Figure 15)

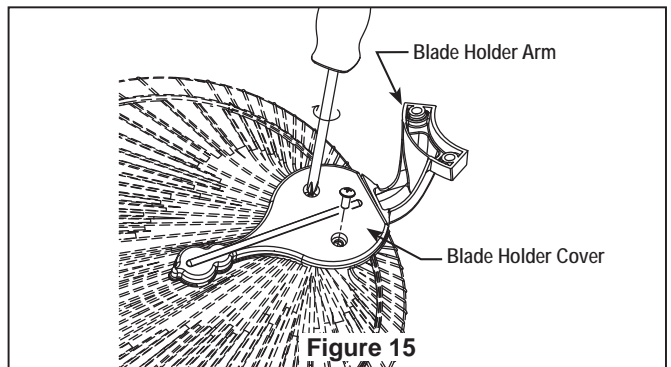


Figure 15

HARDWARE USED:

3/16-24 x 10mm
PHILLIPS HEAD
SCREWS x 10



CAUTION

Do not connect fan blades until the fan is completely installed. Installing the fan with blades assembled may result in damage to the fan blades.

- 3. Attach blade holders to the bottom of the fan motor hub using the 1/4-20 x 5/8" socket head screws w/lockwashers. Make sure the screws with lockwashers securing the blade holders to the fan motor hub are tight and that the blade holders are properly seated. (Figure 16)

NOTE: Periodically check Blade Holder hardware and re-secure if necessary. (see Maintenance below)

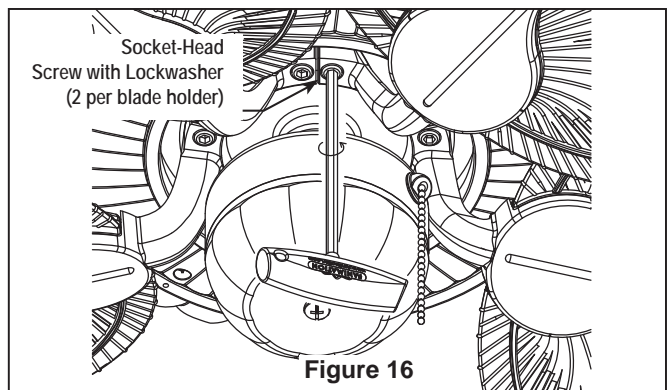


Figure 16

⚠ WARNING

To reduce the risk of personal injury, do not bend the blade holders when installing, balancing the blades or cleaning the fan. Do not insert foreign objects in between the rotating blades.

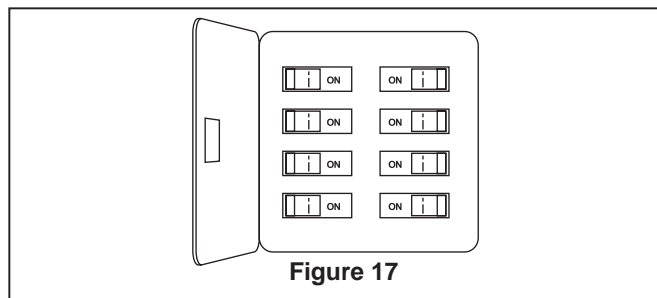
HARDWARE USED:

1/4-20 x 5/8"
SOCKET HEAD
SCREWS x 10

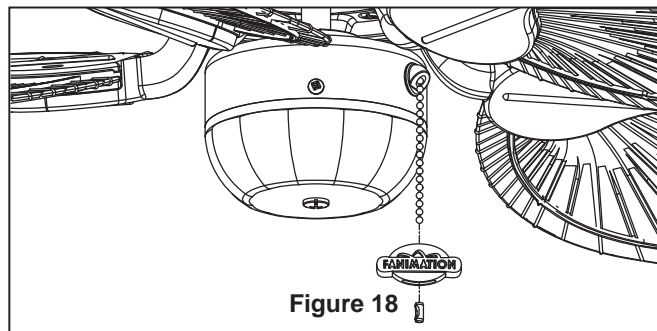


Operating Instructions - Pull Chain

1. Restore electrical power to the outlet box by turning the electricity on at the main fuse box. (Figure 17)

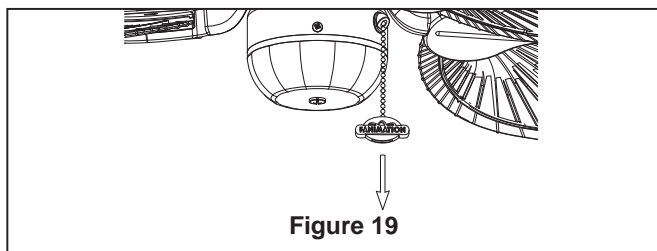


2. Install the fan pull chain coupler. (Figure 18)

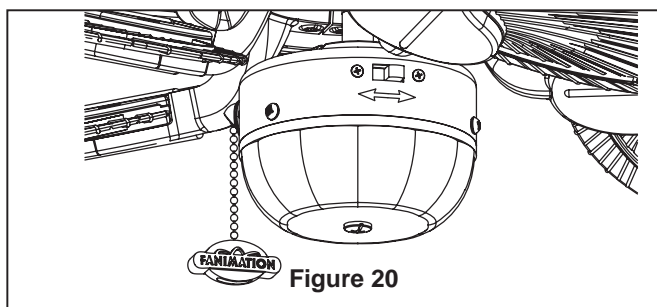


3. Check the operation of the fan by gently pulling on the pull chain switch. (Figure 19) Your fan model is equipped with a 4-position, 3-speed, pull chain switch. The operating sequence is as follows:

1st Pull = HIGH 3rd Pull = LOW
2nd Pull = MEDIUM 4th Pull = OFF



4. If airflow is desired in the opposite direction, turn the fan off and wait for the blades to stop turning. Then slide the reverse switch to the opposite position and turn fan on again. (Figure 20)



Maintenance

Periodic cleaning of your new ceiling fan is the only maintenance that is needed.

When cleaning, use only a soft brush or lint free cloth to avoid scratching the finish.

Abrasive cleaning agents are not required and should be avoided to prevent damage to finish.

RECOMENDED: Periodically check that the blade arm to motor assembly hub screws are tight.

CAUTION

Do not use solvents when cleaning your ceiling fan. It could damage the motor or the blades and create the possibility of electrical shock.

Blade Cleaning

Periodic light dusting of the Palm Leaf, Woven Bamboo, or Wicker blades is recommended. A feather duster will work best.

Avoid using water, cleansers, or harsh rags, which can warp and ruin the blades.

Parts List

Model #FP4320**1

| Ref. # | Description | Part # |
|--|---|---|
| 1 | Hanger Bracket Assembly | AP255BL |
| 2 | <i>Wet Downrod/Hanger Ball Assembly</i> | ADR1-6** |
| 3 | Ceiling Canopy | PG155** |
| 4 | Canopy Screw Cover Assembly | AP260** |
| 5 | Motor Coupling Cover Assembly | APPAC1405** |
| 6 | Fan Motor/Housing Assembly | AMA4320** |
| 7 | Blade Holder Set | AP43210** |
| 8 | Blade Holder Cover Set | AP3220** |
| 9 | <i>Blade Mounting Hardware Bag Containing:</i> | HDWFP4320BL (for AZ, TB fans) HDWFP4320GZ (for AG, AN, LT, TS fans) HDWFP4320MW (for MW fan) |
| | Phillips Head Screws, 3/16"-24 x 10 mm (11) | |
| | Phillips Screwdriver, 4" | |
| | <i>Blade Holder Mounting Hardware Bag Containing:</i> | |
| | 1/4-20 x 5/8" Socket Head Screw with Lockwasher (11) | |
| | "T" Allen Wrench | |
| | <i>Hardware Bag Containing:</i> | |
| | Fob and Chain Coupler | |
| | Balance Kit | |
| | #8-32 x 3/4" Junction Box Screws, Stainless Steel (2) | |
| | Wire Connectors (4) | |
| Flat Washer Ø10 x Ø5 x 0.8 mm, Stainless Steel (2) | | |

****Insert FINISH CODES (Refer to fan model number located on downrod support)**

Before discarding packaging materials, be certain all parts have been removed

How To Order Parts

When ordering repair parts, always give the following information:

- Part Number
- Part Description
- Fan Model Number

Contact your retail store for repair parts.

The Belleria® FP4320**1

Exploded-View

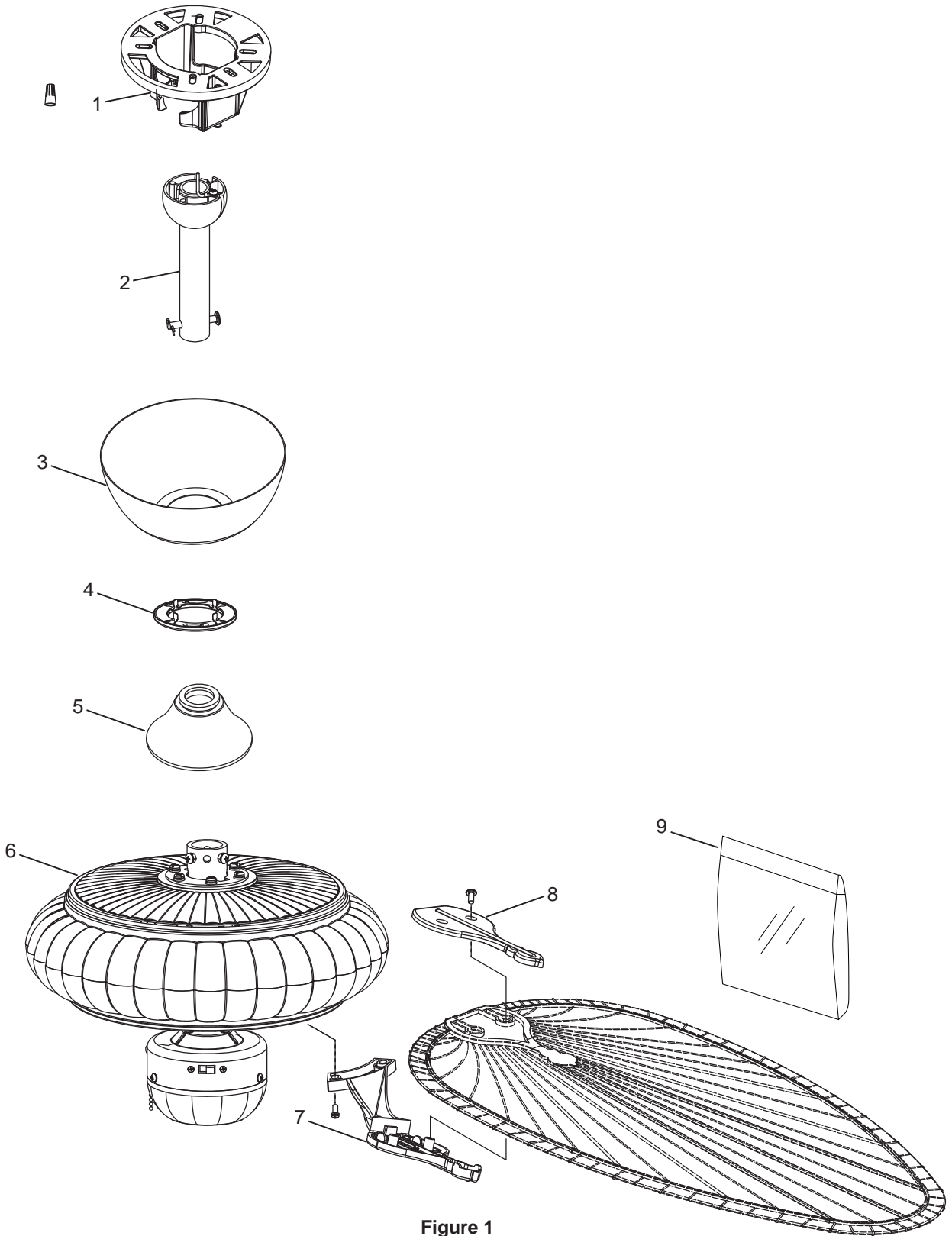


Figure 1

NOTE: The illustration shown is not to scale or its actual configuration may vary

Trouble Shooting

⚠ WARNING

For your own safety turn off power at fuse box or circuit breaker before trouble shooting your fan.

| Trouble | Probable Cause | Suggested Remedy |
|-----------------------------------|--|---|
| 1. FAN WILL NOT START | <ol style="list-style-type: none"> 1. Fuse or circuit breaker blown. 2. Loose power line connections to the fan, or loose switch wire connections in the switch housing. 3. Reversing switch in neutral position. | <ol style="list-style-type: none"> 1. Check main and branch circuit fuses or circuit breakers. 2. Check line wire connections to fan and switch wire connections in the switch housings. CAUTION: Make sure main power is turned off ! 3. Make sure reversing switch position is all the way to one side. |
| 2. FAN SOUNDS NOISY | <ol style="list-style-type: none"> 1. Blades not attached to fan. 2. Loose screws in motor housing. 3. Screws securing fan blade holders to motor hub are loose. 4. Wire connectors inside housing rattling. 5. Motor noise caused by solid state variable speed control. 6. Screws holding blades to blade holders are loose. | <ol style="list-style-type: none"> 1. Attach blades to fan before operating. 2. Check to make sure all screws in motor housing are snug (not over-tight). 3. Check to make sure the screws which attach the fan blade holders to the motor hub are tight. 4. Check to make sure wire connectors in switch housing are not rattling against each other or against the interior wall of the switch housing. CAUTION: Make sure main power is turned off ! 5. Some fan motors are sensitive to signals from solid-state variable speed controls. Solid-state controls are not recommended, choose an alternative control method. 6. Tighten screws securely. |
| 3. FAN WOBBLER EXCESSIVELY | <ol style="list-style-type: none"> 1. Setscrew and nut in downrod support is loose. 2. Setscrew in downrod/hanger ball assembly is loose. 3. Screws securing fan blade holders to motor hub are loose. 4. Blade holders not seated properly. 5. Hanger bracket and/or ceiling outlet box is not securely fastened. 6. Fan blades out of balance. | <ol style="list-style-type: none"> 1. Tighten both setscrews and nuts securely in downrod support. 2. Tighten the setscrew in the downrod/hanger ball assembly. 3. Check to be sure screws which attach the fan blade holders to the motor hub are tight. 4. Check to be sure the fan blade holders seat firmly and uniformly to the surface of the motor housing. If holders are seated incorrectly, loosen the screws and retighten. 5. Tighten the hanger bracket screws to the outlet box, and secure outlet box. 6. Interchanging position of fan blades can redistribute the weight and result in a smoother operation. For example, exchange blades in positions 1 and 3 or 1 and 4. If this does not improve wobble, exchange 2 and 4 or 2 and 5. |
| 4. NOT ENOUGH AIR MOVEMENT | | <ol style="list-style-type: none"> 1. If possible, consider using a longer downrod (not included, you can buy the longer downrod from animation.com). |



10983 Bennett Parkway
Zionsville, IN 46077
(888) 567-2055

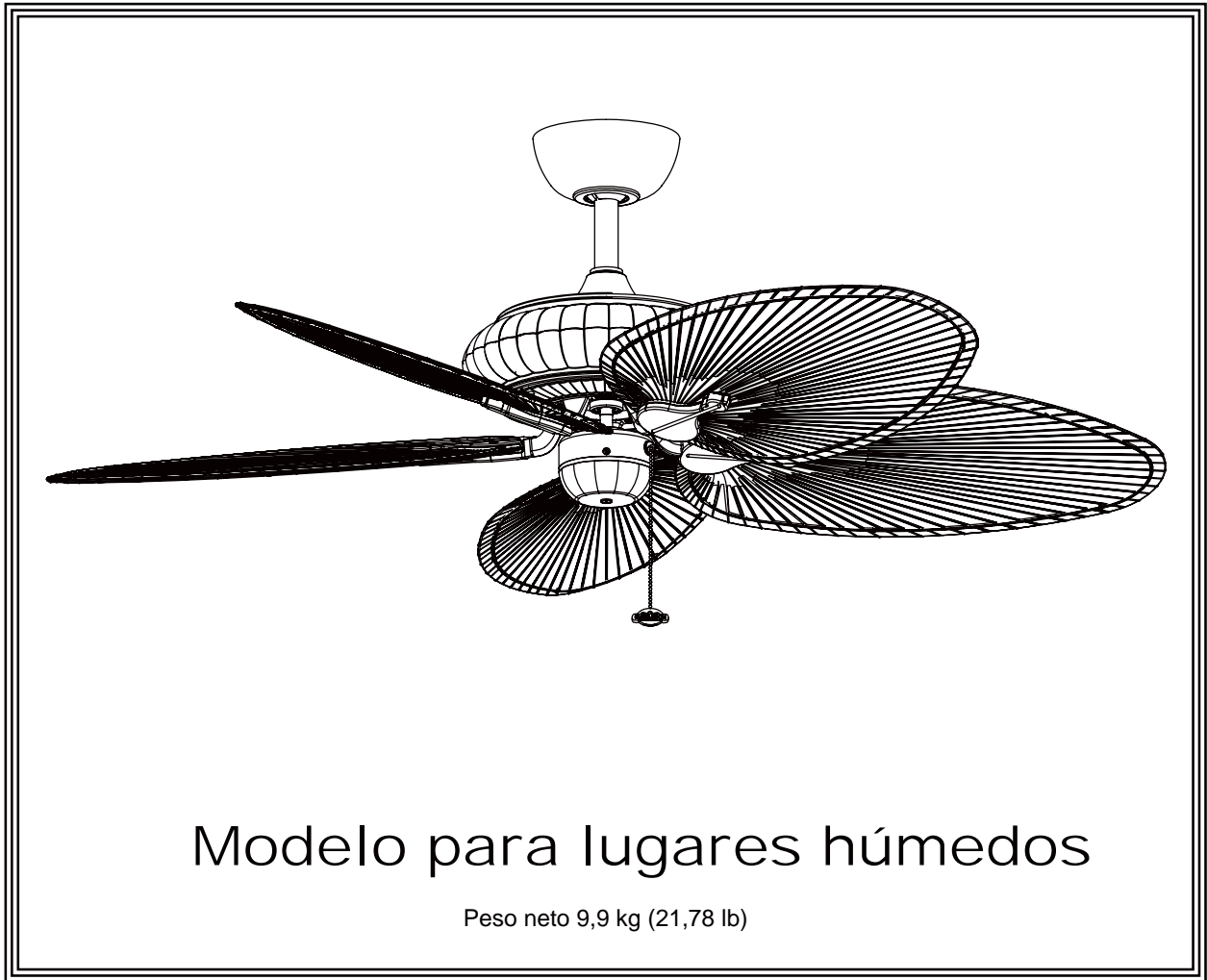
FAX (866) 482-5215

Outside U.S. call (317) 733-4113

Visit Our Website @ www.fanimation.com

The Belleria[®]

Ventilador de techo



Modelo N.º FP4320**1

MANUAL DEL PROPIETARIO
LEA Y GUARDE ESTAS INSTRUCCIONES

FANIMATION[®]
— CEILING FANS —

Instrucciones importantes de seguridad

ADVERTENCIA: siga estas instrucciones para prevenir incendios, descargas eléctricas y lesiones personales graves.

1. Lea el manual del propietario y la información de seguridad antes de instalar su nuevo ventilador. Observe los diagramas de ensamblaje adjuntos.
2. Antes de llevar a cabo el mantenimiento o la limpieza de la unidad, desconecte la electricidad en el panel de servicio y bloquee los medios de desconexión del mismo para evitar que se active accidentalmente. Si no se pueden bloquear los medios de desconexión del servicio, coloque un dispositivo de advertencia, como una etiqueta, en el panel de servicio.
3. Tenga cuidado con la estructura y las aspas del ventilador cuando limpie, pinte o trabaje cerca del mismo. Desconecte siempre la electricidad del ventilador de techo antes de llevar a cabo el mantenimiento.
4. No coloque ningún elemento en las aspas del ventilador cuando éste se encuentre en funcionamiento.
5. No accione el conmutador inversor hasta que las aspas del ventilador se hayan detenido por completo.

Instrucciones de seguridad adicionales

1. Para evitar posibles descargas eléctricas, asegúrese de que la electricidad esté desconectada de la caja de fusibles antes de realizar la instalación eléctrica, y no haga funcionar el ventilador sin las aspas.
2. Todos los procedimientos de conexión eléctrica e instalación deben cumplir con los Códigos Eléctricos Nacionales (ANSI/NFPA 70-1999) y Códigos Locales. El ventilador de techo debe estar conectado a tierra a fin de prevenir posibles descargas eléctricas. La instalación eléctrica debe ser llevada a cabo o aprobada por un electricista autorizado.
3. Se debe fijar bien la base del ventilador; ésta debe ser capaz de soportar sin problemas al menos 15,9 kg (35 lb.) Consulte a un electricista calificado si tiene dudas.
4. Las aspas del ventilador se deben instalar por lo menos a 2 m (7 pies) del suelo, a fin de evitar el contacto accidental con las mismas.
5. Siga las recomendaciones sobre el método correcto de instalación eléctrica de su ventilador de techo. Si no posee la experiencia o los conocimientos eléctricos adecuados, contrate a un electricista autorizado para instalar el ventilador.

ADVERTENCIA: A FIN DE REDUCIR EL RIESGO DE DESCARGAS ELÉCTRICAS, NO UTILICE ESTE VENTILADOR CON NINGÚN DISPOSITIVO DE CONTROL DE VELOCIDAD DE ESTADO SÓLIDO.

ADVERTENCIA: este producto está diseñado para ser utilizado sólo con las piezas suministradas o los accesorios indicados específicamente para el mismo. Si utiliza piezas o accesorios que no están indicados para su uso con este producto podría sufrir lesiones personales o dañar el ventilador.

ADVERTENCIA: para reducir el riesgo de lesiones personales, no doble los soportes de aspas (borde o soporte de aspas) al instalar los soportes, balancear las aspas o limpiar el ventilador. No coloque objetos extraños entre las aspas del ventilador en funcionamiento.

GARANTÍA LIMITADA DE POR VIDA

Se extiende al comprador original de un Ventilador Fanimation.

1. **GARANTÍA LIMITADA DE POR VIDA DEL MOTOR:** si se produce una falla en alguna de las partes del motor de su ventilador debido a un defecto en los materiales o en la fabricación durante el tiempo de vida del comprador original, Fanimation proporcionará la pieza de repuesto sin cargo una vez que se devuelva el ventilador defectuoso a nuestro centro de servicios nacional. Se requiere comprobante de venta. El cliente se hará responsable de todos los gastos de remoción o reinstalación y envío del producto para reparaciones o sustitución.
2. **GARANTÍA DE MANO DE OBRA DEL MOTOR POR UN AÑO:** si el motor de su ventilador falla antes de cumplirse un año a partir del momento de su compra original debido a defectos en los materiales o en la fabricación, se efectuará la reparación del mismo sin cargo en nuestro centro de servicios nacional. El comprador se hará responsable de los gastos de mano de obra luego del período de un año. El cliente se hará responsable de todos los gastos de remoción o reinstalación y envío del producto para reparaciones o sustitución.
3. Si otra pieza del ventilador fallara dentro del período de un año a partir de la fecha de compra original debido a un defecto en los materiales o en la fabricación, repararemos o sustituiremos, según creamos conveniente, la pieza defectuosa sin cargo alguno en nuestro centro de servicios nacional.
4. Debido a las diversas condiciones climáticas, esta garantía no cubre cambios en el acabado, incluidos oxidación, corrosión, falta de brillo o peladuras.
5. Esta garantía es nula y no se aplica a daños por instalación incorrecta, negligencia, accidentes, uso indebido, exposición al calor o a la humedad en exceso, o como resultado de cualquier modificación realizada al producto original.
6. Todos los gastos de remoción y reinstalación del ventilador son responsabilidad exclusiva del propietario, y no de la tienda que vendió el ventilador o de Fanimation.
7. Fanimation se reserva el derecho de modificar o discontinuar un producto en cualquier momento, o sustituir cualquier pieza según lo establecido por esta garantía.
8. Bajo ninguna circunstancia se podrá devolver un ventilador sin previa autorización por parte de Fanimation. Las devoluciones autorizadas deberán ir acompañadas del recibo de venta y deberán enviarse a Fanimation, previo pago del flete. El ventilador que se devuelve deberá estar embalado en forma adecuada a fin de evitar daños durante su transporte. Fanimation no se hará responsable de los daños que resulten del mal empaquetamiento del producto.
9. Se entiende que las reparaciones y las sustituciones son el único recurso disponible de Fanimation. No existe ninguna garantía expresa o implícita. Por la presente, Fanimation niega todas las garantías implícitas, que incluyen, entre otras, la comerciabilidad y la aptitud para determinado fin hasta donde la ley lo permita. Algunos estados no permiten limitaciones sobre las garantías implícitas. Fanimation no se hará responsable por daños accidentales, resultantes o especiales derivados del uso o el rendimiento del producto o en conjunción con éste, excepto en los casos en los que la ley así lo disponga. Esta garantía le otorga derechos legales especiales y es posible que también goce de otros derechos que pueden variar según el estado.
10. Una cierta cantidad de movimiento oscilante es normal y no se debe considerar un problema o un defecto.

Índice

| | | | |
|---|----|---|----|
| Instrucciones para el desempaque | 18 | Montaje de las aspas del ventilador | 25 |
| Uso eficiente de la energía en ventiladores de techo | 19 | Instrucciones de funcionamiento: cadena de encendido/apagado. . . | 26 |
| Requisitos eléctricos y estructurales. | 19 | Mantenimiento | 26 |
| Cómo ensamblar el ventilador de techo | 21 | Limpieza de las aspas | 26 |
| Cómo colgar el ventilador de techo | 23 | Lista de piezas | 27 |
| Cómo realizar la instalación eléctrica del ventilador de techo: | | Plano de despiece | 28 |
| cadena de encendido/apagado | 24 | Solución de problemas | 29 |
| Instalación de la cubierta del capuchón | 24 | | |

Este manual está diseñado para facilitar, en la medida de lo posible, el ensamblaje, la instalación, el funcionamiento y el mantenimiento de su ventilador de techo

Herramientas necesarias para el ensamblaje

- Destornillador Phillips
- Escalera de tijera
- Destornillador de 1/4"
- Pelacables
- Cuatro conectores de cables (incluidos)

Materiales

La caja de distribución eléctrica y los conectores de la caja deben ser del tipo requerido por el código local. El cable más pequeño debe ser un cable de tres conductores (de dos conductores con conexión a tierra) del siguiente tamaño:

| longitud del cable instalado | tamaño del cable según el A.W.G. (Calibre de Alambre Estadounidense) |
|----------------------------------|---|
| hasta 15,2 m (50 pies) | 14 |
| de 15,2 a 30,5 m (50 a 100 pies) | 12 |

NOTA: coloque las piezas de las bolsas de piezas individuales en un contenedor pequeño para evitar que se extravíen. Si faltan piezas, póngase en contacto con su proveedor local.

⚠ ADVERTENCIA

Antes de ensamblar el ventilador de techo, consulte la sección sobre el método correcto de instalación eléctrica del ventilador (página 24). Si siente que no posee la experiencia o los conocimientos eléctricos necesarios, contrate a un electricista autorizado para instalar el ventilador.

Instrucciones para el Desempaque

Para su comodidad, marque cada uno de los pasos. A medida que completa cada paso, coloque una marca de verificación. Con esto se asegurará de completar todos los pasos y podrá saber desde dónde retomar si fuera interrumpido.

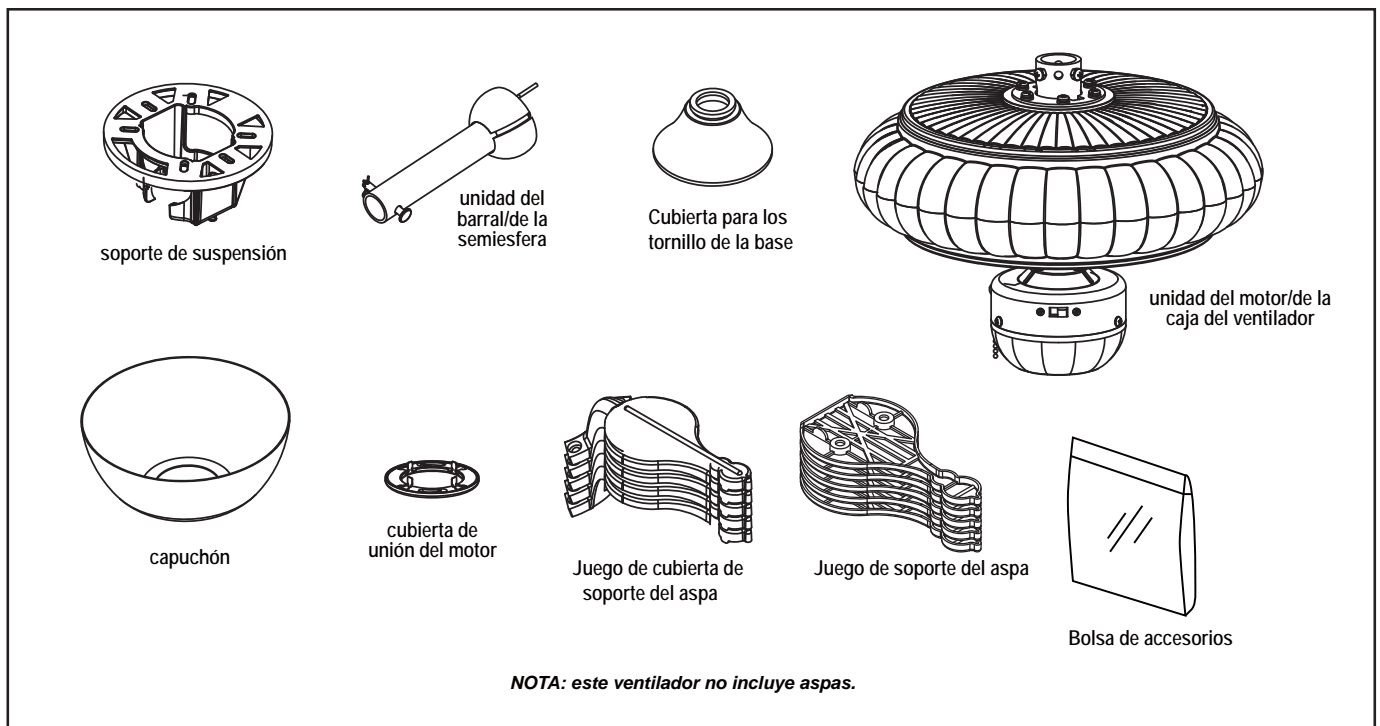
⚠ ADVERTENCIA

No instale ni utilice el ventilador si falta alguna pieza o si hay piezas dañadas. Este producto está diseñado para ser utilizado sólo con las piezas suministradas o los accesorios indicados por Fanimation específicamente para el mismo. La sustitución de piezas o accesorios que Fanimation no designó para usar con este producto podría ocasionar lesiones personales o daños en el ventilador. Póngase en contacto con su tienda si faltan piezas o hay piezas dañadas.

- Unidad del motor/de la caja del ventilador
- Soporte de montaje
- Unidad del barral/de la semiesfera para lugares húmedos
- Capuchón
- Cubierta para los tornillo de la base
- Cubierta de unión del motor
- Juego de soporte del aspa
- Juego de cubierta de soporte del aspa
- Bolsa de accesorios:
 - once tornillos con arandelas de seguridad de 1/4-20 x 5/8" (soporte de aspas a buje del motor)
 - once tornillos con cabeza de arandela de 3/16-24 x 10 mm (aspa a soporte de aspas)
 - cuatro conectores de cables
 - destornillador Phillips de 4"
 - acoplador de cadena
 - cadena
 - kit de balanceo
 - dos tornillos para cajas de conexiones de 8-32
 - llave Allen con mango en T
 - Arandela plana de Ø10 x Ø5 x 0.8 mm, acero inoxidable

1. Verifique que haya recibido las siguientes piezas:

NOTA: si no está seguro de la descripción de una pieza, consulte la ilustración del despiece. (Figura 1, página 28)



Uso eficiente de la energía en ventiladores de techo

El nivel de rendimiento y ahorro de energía de los ventiladores de techo dependen de su correcta instalación y uso. A continuación le presentamos algunas sugerencias para asegurar un rendimiento eficiente del producto.

Selección del lugar de montaje adecuado

Los ventiladores de techo se deben instalar en el centro de la habitación, a 2,13 m (7 pies) de altura del piso como mínimo y 0,5 m (18 pulgadas) de las paredes. Si la altura del techo lo permite, instale el ventilador a 2,5 m (8-9 pies) por encima del suelo para un flujo de aire óptimo. Consulte en su tienda minorista de Fanimation para obtener accesorios de montaje opcionales.

Apague el ventilador cuando no se encuentre en la habitación

Los ventiladores son para refrescar a la gente, no a las habitaciones. Si la habitación está vacía, apague el ventilador de techo para ahorrar energía.

Uso del ventilador de techo todo el año

En verano: Use el ventilador de techo en sentido contrario a las agujas del reloj. El flujo de aire que produce el ventilador creará un efecto frío del aire que lo refrescará más. Seleccione una velocidad que le proporcione una brisa confortable. Las velocidades más bajas consumen menos energía.

En invierno: Invierta el motor y haga funcionar el ventilador de techo a velocidad baja y en el sentido de las agujas del reloj. Esto produce una suave corriente ascendente, que obliga al aire cálido que se acumula cerca del techo a bajar al espacio ocupado. No olvide ajustar el termostato cuando utilice el ventilador de techo. Con este sencillo paso puede ahorrar energía adicional y dinero.

Requisitos eléctricos y estructurales

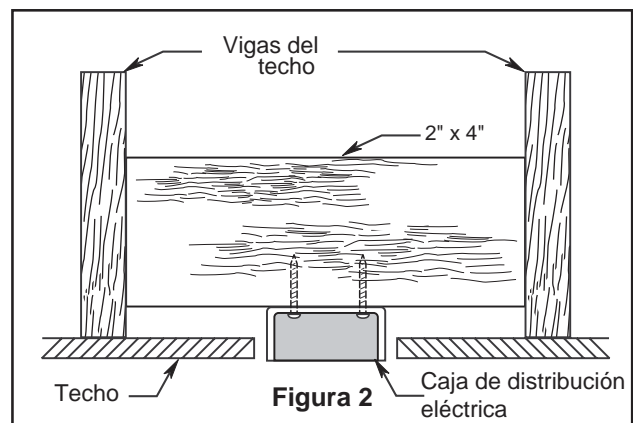
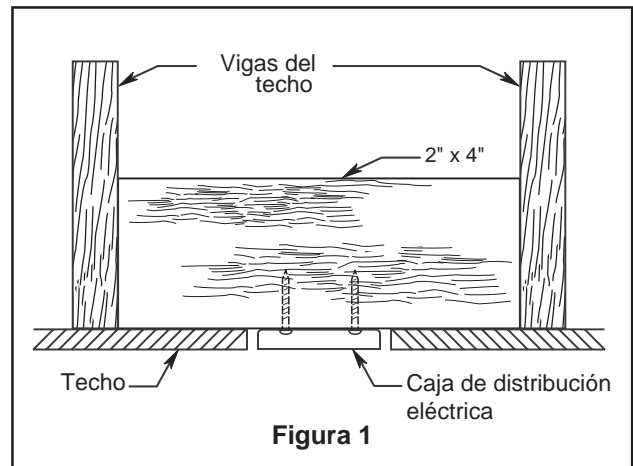
Su nuevo ventilador de techo requiere una línea de suministro eléctrico con conexión a tierra de 120 voltios de CA, 60 Hz, circuito de 15 amperios. La normativa eléctrica requiere el uso de una caja de distribución eléctrica para ventiladores que soporte el peso extra y el movimiento asociado a un ventilador de techo. La caja de distribución eléctrica será etiquetada como tal y soportará un ventilador de techo de un peso de hasta 70 libras. Dichas cajas varían en tipos y diseños. Asegúrese de que el tipo de su caja reúne los criterios para el ventilador que se está instalando. Las ilustraciones 1, 2 y 3 muestran las diferentes configuraciones estructurales que pueden ser utilizadas para dicha caja de distribución eléctrica.

Idea de diagrama de uso de perfil bajo (Figura 1)

La caja lisa de 1/2 pulgada de profundidad será atornillada a una viga o bloque. Se utilizará si solo un cable va a ser introducido en la caja. También está disponible en una configuración de montaje endosado.

Idea de diagrama de uso de perfil alto (Figura 2)

La caja de 2-1/4 pulgada será atornillada a un bloque entre vigas que tenga suficiente espacio para colocar más de un cable.



Requisitos eléctricos y estructurales (cont.)

No bloqueo (Figura 3)

Conectado a una caja de distribución eléctrica, este colgador sirve para abarcar el espacio entre dos vigas y ocupar el lugar de bloqueo de la madera.

▲ ADVERTENCIA

Para reducir el riesgo de incendio, descargas eléctricas o lesiones personales, monte el ventilador en una caja de salida marcada como "Apta para sostener ventiladores de 15,88 kg o menos" y use los tornillos de montaje provistos con la caja de salida. La mayoría de las cajas de salida que se usan comúnmente para sostener ensambles de iluminación no son aptas para sostener un ventilador y puede ser necesario reemplazarlas. Si tiene dudas, consulte a un electricista calificado.

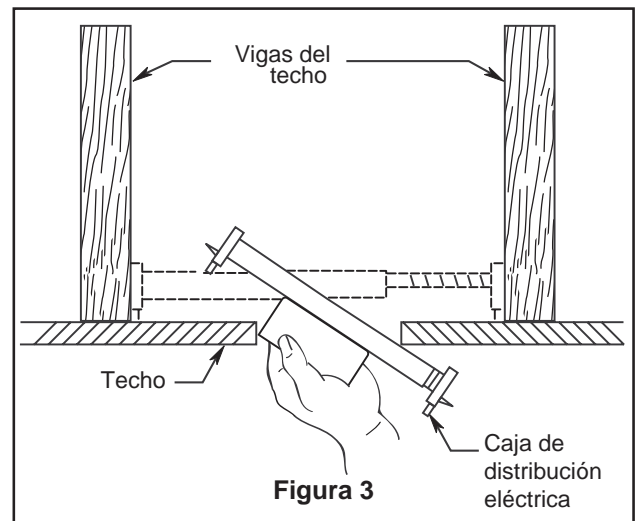
Si su ventilador va a sustituir una instalación de iluminación existente, desconecte la electricidad de la caja del fusible principal en esta ocasión y extraiga la unidad de iluminación.

▲ ADVERTENCIA

Apagar el interruptor de pared no es suficiente. Para evitar posibles descargas eléctricas, asegúrese de que la electricidad esté desconectada en la caja de fusibles principal antes de realizar la instalación eléctrica. Toda instalación eléctrica debe cumplir con los códigos nacionales y locales y el ventilador de techo debe tener la conexión a tierra adecuada como forma de precaución ante posibles descargas eléctricas.

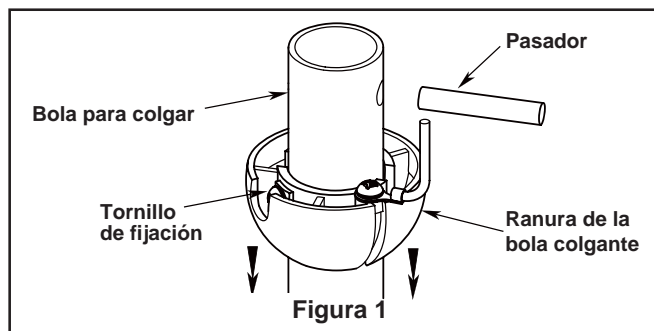
▲ ADVERTENCIA

A fin de evitar incendios o descargas eléctricas, siga con cuidado todas las instrucciones de instalación eléctrica. Cualquier trabajo eléctrico que no se describa en estas instrucciones deberá ser realizado o aprobado por un electricista autorizado.

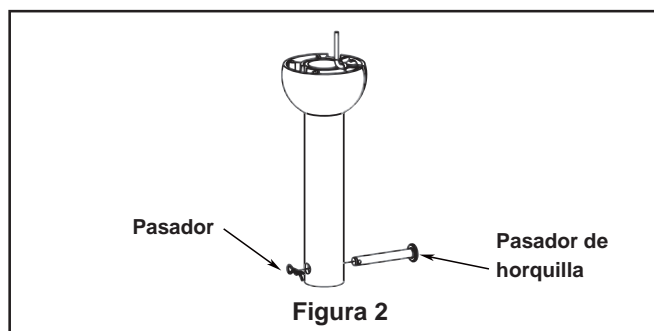


Cómo ensamblar el ventilador de techo

1. Extraiga la pieza de la bola colgante de la unidad de la bola colgante / varilla aflojando el tornillo de presión de la bola colgante hasta que la bola se libere de la varilla. Retire el pasador del barral y luego extraiga la semiesfera. Conserve el pasador y la semiesfera para su reinstalación en el Paso 6 (Figura 1).

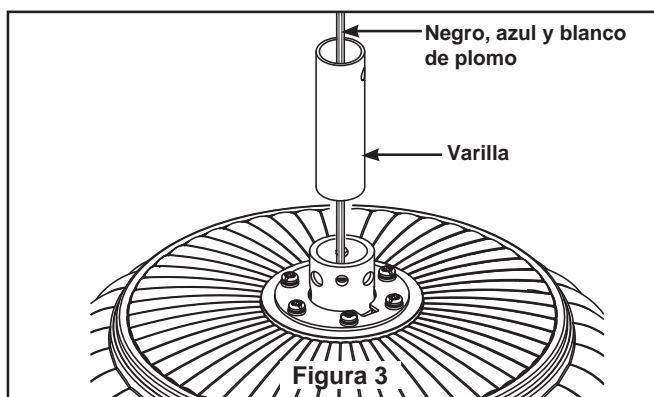


- 2 Retire el clip de horquilla y pasador de horquilla de la parte inferior de la bola para colgar. Retener el pasador y clip para la reinstalación en el paso 4. (Figura 2)

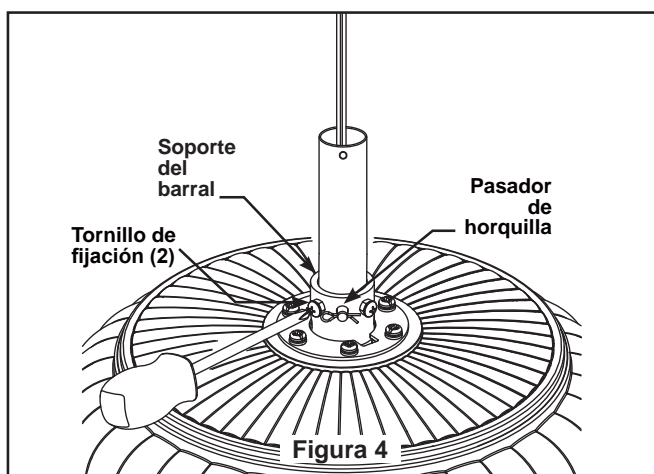


3. El ventilador viene con cables de 2 m (80") de color azul, negro y blanco. Separe y desenrosque los tres cables. Pase los cables a través del barral. (Figura 3)

NOTA: podrá utilizar el barral de 15 cm (6") que viene con el ventilador o un barral optativo comprado por separado.



4. Afloje los dos tornillos de fijación del soporte del barral. Alinee los orificios del pasador en el barral con los orificios del soporte del mismo. Instale el pasador y asegúrelo con el pasador de horquilla. Asegúrese de empujar la pata recta del pasador de horquilla a través del orificio cerca de la punta del pasador hasta que la parte curva del pasador de horquilla se cierre con un clic alrededor del pasador. El pasador de horquilla debe estar instalado correctamente para evitar que el pasador se afloje. Tire del barral para asegurarse de que el pasador está instalado correctamente. (Figura 4)

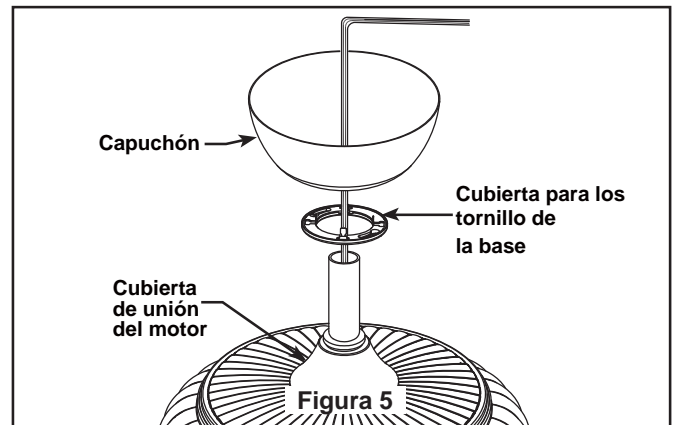


⚠ ADVERTENCIA

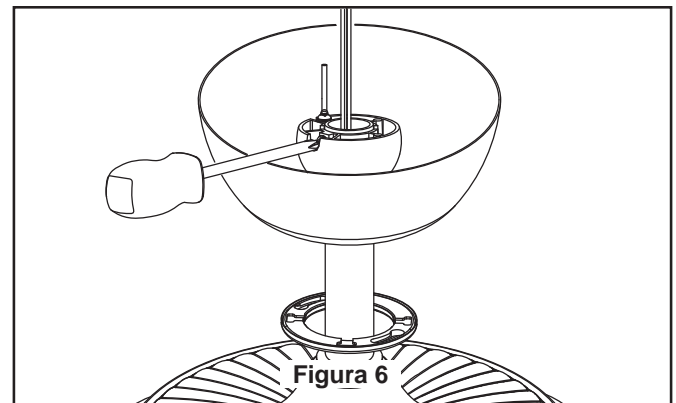
Es de suma importancia que el tornillo de ensamble en el soporte del barral esté colocado correctamente y que los tornillos de fijación y las tuercas estén bien ajustados. Si el tornillo de ensamble, las tuercas, el pasador de horquilla y los tornillos de fijación no están correctamente colocados, el ventilador podría caerse.

Cómo ensamblar el ventilador de techo (Continuación)

5. Pase los cables a través de la cubierta de unión del motor y el capuchón con cubierta para el tornillo del capuchón del ventilador como se muestra, con el lado abierto apuntando hacia arriba. (Figura 5)

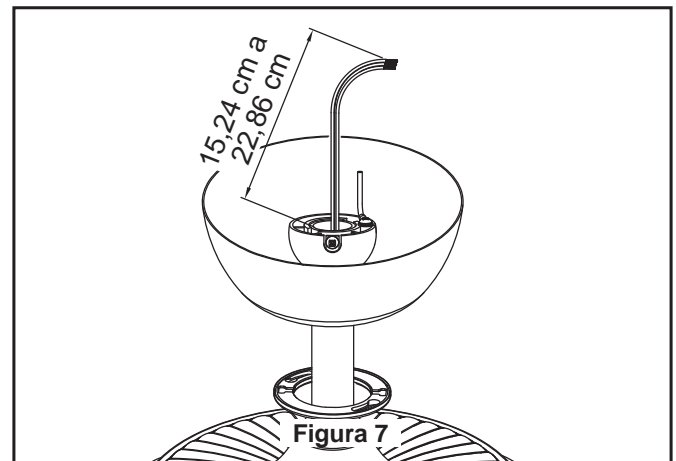


6. Vuelva a colocar la semiesfera en el barral como se indica a continuación. Pase los tres cables de 80" a través de la semiesfera. Pase el pasador a través de los dos orificios en el barral y alinee la semiesfera de modo que el pasador quede atrapado en la ranura de la parte superior de la misma. Empuje la semiesfera hacia arriba, bien ajustada contra el pasador. **Ajuste firmemente el tornillo de fijación de la semiesfera. Si el tornillo está flojo, podría provocar oscilación del ventilador.** (Figura 6)



7. El ventilador viene con cables de color azul, negro y blanco. Antes de instalar el ventilador, mida - aproximadamente de 15 a 23 cm (6 a 9 pulgadas) por encima de la parte superior de la unidad del barral/de la semiesfera. Corte el excedente de cable y pele 1,2 cm ($\frac{1}{2}$ ") del aislamiento a partir del extremo del cable. (Figura 7)

NOTA: Se deben revisar todos los tornillos y volver a ajustarlos cuando sea necesario antes de realizar la instalación.



Cómo colgar el ventilador de techo

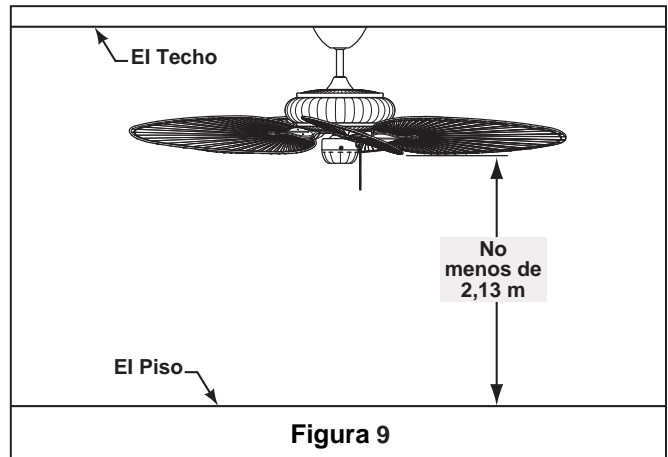
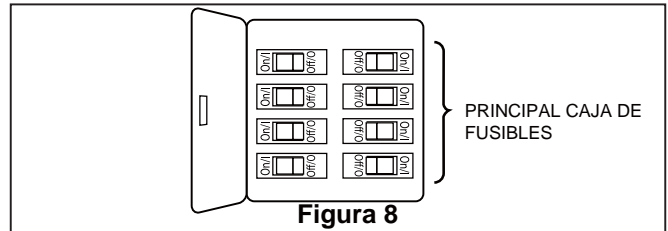
⚠ ADVERTENCIA

Para evitar posibles descargas eléctricas, asegúrese de que la electricidad esté desconectada de la caja de fusibles principal antes de colgar el ventilador. (Figura 8)

NOTA: si no está seguro si la caja de distribución eléctrica tiene conexión a tierra, pida asesoramiento a un electricista autorizado, ya que la conexión a tierra es importante para un funcionamiento seguro.

⚠ ADVERTENCIA

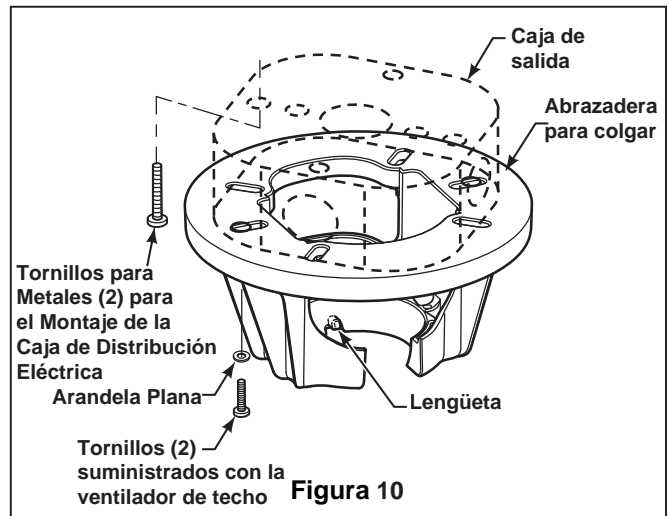
Las aspas del ventilador deben estar suspendidas, al menos, a 2 m (7') del piso (Figura 9)



1. Fije bien la abrazadera para colgar a la caja de salida con los tornillos y las arandelas provistas con la ventilador de techo. (Figura 10)

⚠ ADVERTENCIA

La caja de distribución eléctrica debe estar bien colocada y debe ser capaz de soportar hasta 15,9 kg (35 lb). El soporte de suspensión debe estar colocado firmemente contra la caja de distribución eléctrica. Si la caja de distribución eléctrica está empotrada, retire la tablaroca hasta que el soporte haga contacto con la caja. Si el soporte o la caja de distribución eléctrica no están bien asegurados, el ventilador podría oscilar o caerse.



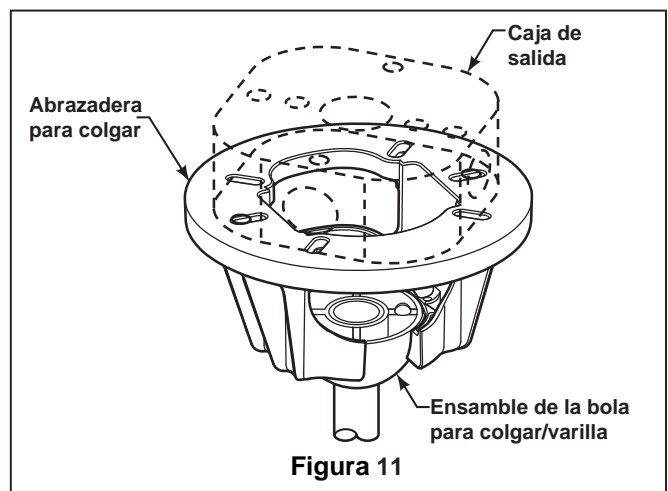
2. Con cuidado, levante el ventilador y apoye la unidad del barral/de la semiesfera en el soporte de suspensión que acaba de fijar a la caja de distribución eléctrica. Asegúrese de que la ranura en la semiesfera esté alineada con el reborde del soporte de suspensión (Figura 11).

⚠ ADVERTENCIA

Si la pestaña no está en la ranura, podrían producirse daños en los cables eléctricos y posibles descargas eléctricas o incendios.

⚠ ADVERTENCIA

Para evitar una posible descarga eléctrica, no aprisione los cables entre la unidad del barral/de la semiesfera y el soporte de suspensión.



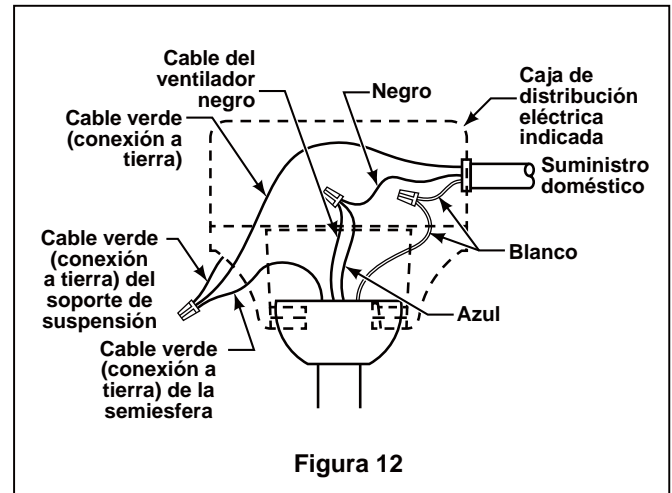
Cómo realizar la instalación eléctrica del ventilador de techo: cadena de encendido/apagado

Si siente que no posee la experiencia o los conocimientos eléctricos necesarios, contrate a un electricista autorizado para instalar el ventilador.

⚠ ADVERTENCIA

Para evitar posibles descargas eléctricas, asegúrese de que la electricidad esté desconectada de la caja de fusibles principal antes de realizar la instalación. **NOTA:** si no está seguro si la caja de distribución eléctrica tiene conexión a tierra, pida asesoramiento a un electricista autorizado, ya que la conexión a tierra es importante para un funcionamiento seguro.

1. Conecte el cable de conexión a tierra verde de la semiesfera y el cable de conexión a tierra verde del soporte de suspensión al conductor con conexión a tierra (el mismo puede ser un cable desnudo o un cable con aislamiento de color verde). Conecte los cables con los conectores de cables suministrados.
2. Conecte el cable blanco del motor del ventilador al cable de suministro blanco (neutro) con el conector de cables suministrado. Conecte el cable negro del motor del ventilador y el cable azul al cable de suministro negro con el conector de cables suministrado (Figura 12). Luego de realizar las conexiones, doble los cables hacia arriba e insértelos con cuidado en la caja de distribución eléctrica, con los cables blanco y verde a un lado de la caja y los cables negro y azul al otro lado.
3. Asegure el capuchón al soporte de suspensión con las varillas roscadas, las arandelas de seguridad externas y las perillas estriadas suministradas (vea la página 28). El ventilador se encuentra ahora conectado y se puede encender y apagar por medio del control de velocidad de cadena de encendido/apagado.



Aditamentos utilizados

Conectores de cable  x 3

⚠ ADVERTENCIA

Verifique que todas las conexiones estén bien ajustadas, incluida la conexión a tierra, y que no haya ningún cable desnudo visible en los conectores de cables, a excepción del cable de conexión a tierra. No haga funcionar el ventilador hasta que las aspas estén colocadas. Podrían producirse ruidos y daños en el motor.

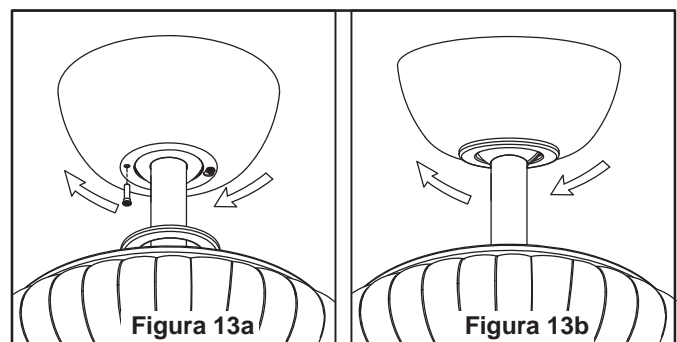
Instalación de la cubierta del capuchón

NOTA: este paso se debe realizar luego de completar la instalación eléctrica necesaria.

⚠ ADVERTENCIA

Para evitar posibles incendios o descargas eléctricas, asegúrese de que los cables eléctricos se encuentren completamente adentro de la cubierta del capuchón y de que no están aprisionados entre la cubierta y el techo.

1. Retire uno de los dos tornillos de reborde de la abrazadera para colgar. Afloje el segundo tornillo de reborde sin retirarlo del todo. Ensamble la base girando el chavetero de la base (E) sobre el tornillo de reborde de la abrazadera para colgar. Ajuste el tornillo de reborde. Ensamble por completo el segundo tornillo de reborde que antes había retirado y ajústelo. (Figura 13a)
2. Coloque y ajuste firmemente la cubierta para el tornillo de la base (F) sobre los tornillos de reborde de la abrazadera para colgar mediante el mecanismo de seguro por giro del chavetero. (Figura 13b)

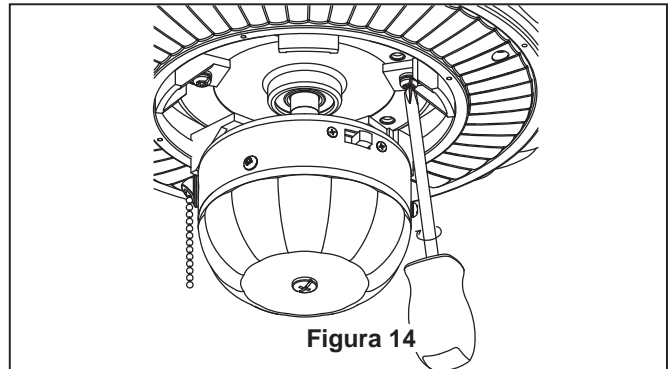


Montaje de las aspas del ventilador

1. Retire y deseche los toques (de goma) del motor extrayendo los cuatro tornillos. (Figura 14)

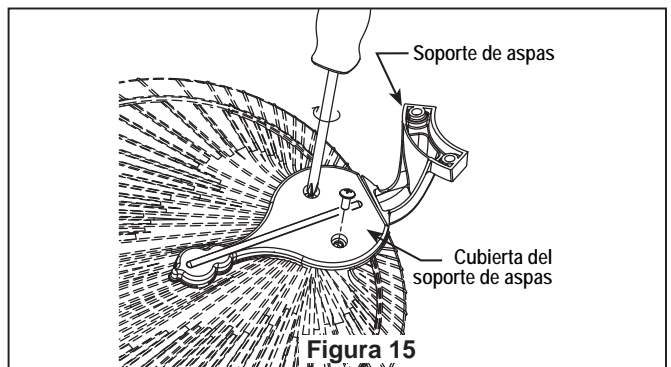
NOTA DE INSTALACIÓN

No conecte las aspas hasta que el ventilador esté totalmente instalado. Instalar el ventilador con las aspas colocadas podría ocasionar daños en las mismas.



NOTA: Encontrará el juego de aspas del ventilador embalado en su caja y los soportes de aspas y la bolsa de accesorios en la caja del ventilador.

2. Apoye el lado liso del soporte de aspas sobre una superficie plana, con la parte interior del soporte mirando hacia arriba. Este es el lado que tiene los pilotes roscados y la base inclinada. Coloque las aspas sobre sus soportes con los postes roscados que se muestran. Asegúrese de que el borde inferior del asa esté completamente asentado sobre el brazo del asa. Coloque la cubierta del soporte de aspas sobre el asa, y alinee los orificios sobre los pilotes roscados. Con un destornillador Phillips, enrosque ambos tornillos en los pilotes pero no los ajuste por completo. Antes de ajustarlos por completo, alinee la línea central del soporte de aspas con el centro del extremo del asa. Ajuste ambos tornillos para asegurar el asa. (Figura 15)



Aditamentos utilizados

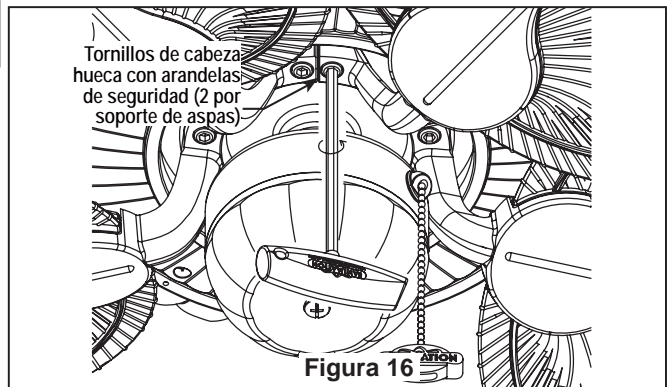
3/16-24 x 10mm
tornillos con
cabeza de arandela
phillips x 10

PRECAUCIÓN

No conecte las aspas hasta que el ventilador esté totalmente instalado. Instalar el ventilador con las aspas colocadas podría ocasionar daños en las mismas.

3. Ajuste los soportes de aspas a la parte inferior del buje del motor con los tornillos de cabeza hueca de 1/4-20 x 5/8" con arandelas de seguridad, como se muestra en la. Asegúrese de que los tornillos con arandelas de seguridad que fijan los soportes de aspas al buje del motor del ventilador estén bien ajustados y que los soportes de aspas estén correctamente colocados. (Figura 16)

NOTA: revise periódicamente las piezas de los soportes de las aspas y vuelva a ajustarlas si fuese necesario. (vea Mantenimiento a continuación)



ADVERTENCIA

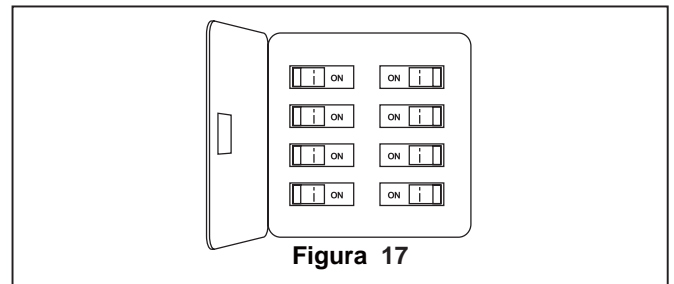
Para reducir el riesgo de lesiones personales, no doble los soportes de aspas al instalarlos, balancear las aspas o limpiar el ventilador. No coloque objetos extraños entre las aspas del ventilador en funcionamiento.

Aditamentos utilizados

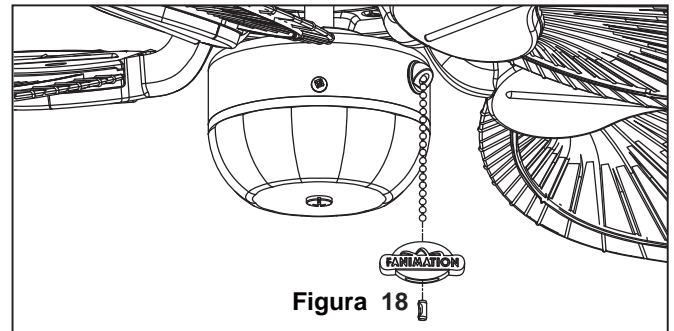
1/4-20 x 5/8"
tornillos de cabeza hueca con arandelas de seguridad de x 10

Instrucciones de funcionamiento: cadena de encendido/apagado

1. Vuelva a conectar la corriente eléctrica en la caja de distribución eléctrica mediante la conexión de la electricidad en la caja de fusibles principal. (Figura 17)

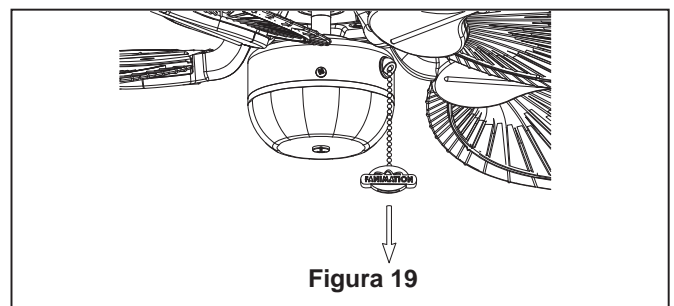


2. Instale el acoplador de la cadena de encendido del ventilador. (Figura 18)

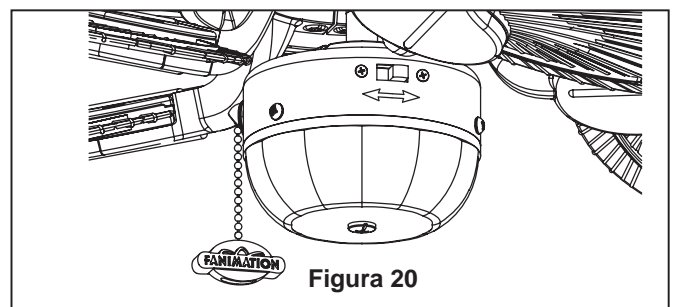


3. Verifique el funcionamiento del ventilador tirando levemente de la cadena de encendido/apagado. (Figura 19) Su modelo de ventilador está equipado con un interruptor de cadena de 4 posiciones y 3 velocidades. La secuencia de funcionamiento es la siguiente:

si jala una vez = ALTA si jala tres veces = BAJA
si jala dos veces = MEDIA si jala cuatro veces = APAGADO



4. Si desea que el flujo de aire se desplace en la dirección opuesta, apague el ventilador y espere que las aspas se detengan. Luego deslice el conmutador inversor a la posición contraria y vuelva a encender el ventilador. (Figura 20)



Mantenimiento

El único mantenimiento necesario para el ventilador de techo es una limpieza periódica.

Al llevar a cabo la limpieza, use sólo un cepillo suave o un paño sin pelusas, para evitar rayar el acabado.

No se requieren agentes abrasivos de limpieza; los mismos deben evitarse para prevenir daños en el acabado.

SE RECOMIENDA: verificar periódicamente que los tornillos que sujetan los soportes de aspas al buje del motor estén bien ajustados.

PRECAUCIÓN

No utilice solventes para limpiar el ventilador de techo. Podrían dañar el motor o las aspas y ocasionar posibles descargas eléctricas.

Limpieza de las aspas

Se recomienda limpiar el polvo de las aspas de hojas de palma, bambú tejido o mimbre periódicamente. Lo mejor es utilizar un plumero.

Evite usar agua, productos de limpieza o trapos ásperos, que pueden combar o dañar las aspas.

Lista de piezas Modelo N.º FP4320**1

| N.º de Ref. | Descripción | Pieza N.º |
|--------------------------|---|---|
| 1 | Unidad del soporte de suspensión | AP255BL |
| 2 | <i>Unidad del barral/de la semiesfera para lugares húmedos</i> | ADR1-6** |
| 3 | Capuchón | PG155** |
| 4 | Cubierta para los tornillo de la base | AP260** |
| 5 | Cubierta de unión del motor | APPAC1405** |
| 6 | Unidad del motor/de la caja del ventilador | AMA4320** |
| 7 | Juego de soporte del aspa | AP43210** |
| 8 | Juego de cubierta de soporte del aspa | AP3220** |
| 9 | <i>Bolsa de accesorios para el montaje de aspas que contiene:</i> | HDWFP4320BL (para ventiladores AZ, TB) HDWFP4320GZ (para ventiladores AG, AN, LT, TS) HDWFP4320MW (para ventiladores MW) |
| | tornillos con cabeza de arandela Phillips de 3/16–24 x 10 mm" (11) | |
| | destornillador Phillips de 4" | |
| | <i>Bolsa de accesorios para el montaje de los soportes de aspas que contiene:</i> | |
| | tornillos de cabeza hueca con arandelas de seguridad de 1/4–20 x 5/8" (11) | |
| | llave Allen con mango en T | |
| | <i>Bolsa de accesorios que contiene:</i> | |
| | cadena y acoplador de cadena | |
| | kit de balanceo | |
| | tornillos para caja de conexiones #8–32 x 3/4" | |
| | Arandela plana de Ø10 x Ø5 x 0.8 mm, acero inoxidable (2) | |
| conectores de cables (4) | | |

**Inserte los CÓDIGOS DE ACABADO (consulte el número de modelo del ventilador que se encuentra en el soporte de barral)

Antes de desechar los materiales de embalaje, asegúrese de haber extraído todas las piezas

Cómo hacer un pedido de piezas

Al hacer un pedido de piezas de repuesto, proporcione siempre la siguiente información:

- Número de pieza
- Descripción de la pieza
- Número de modelo del ventilador

Póngase en contacto con su tienda para obtener las piezas de repuesto.

The Belleria® FP4320**1

Despiece

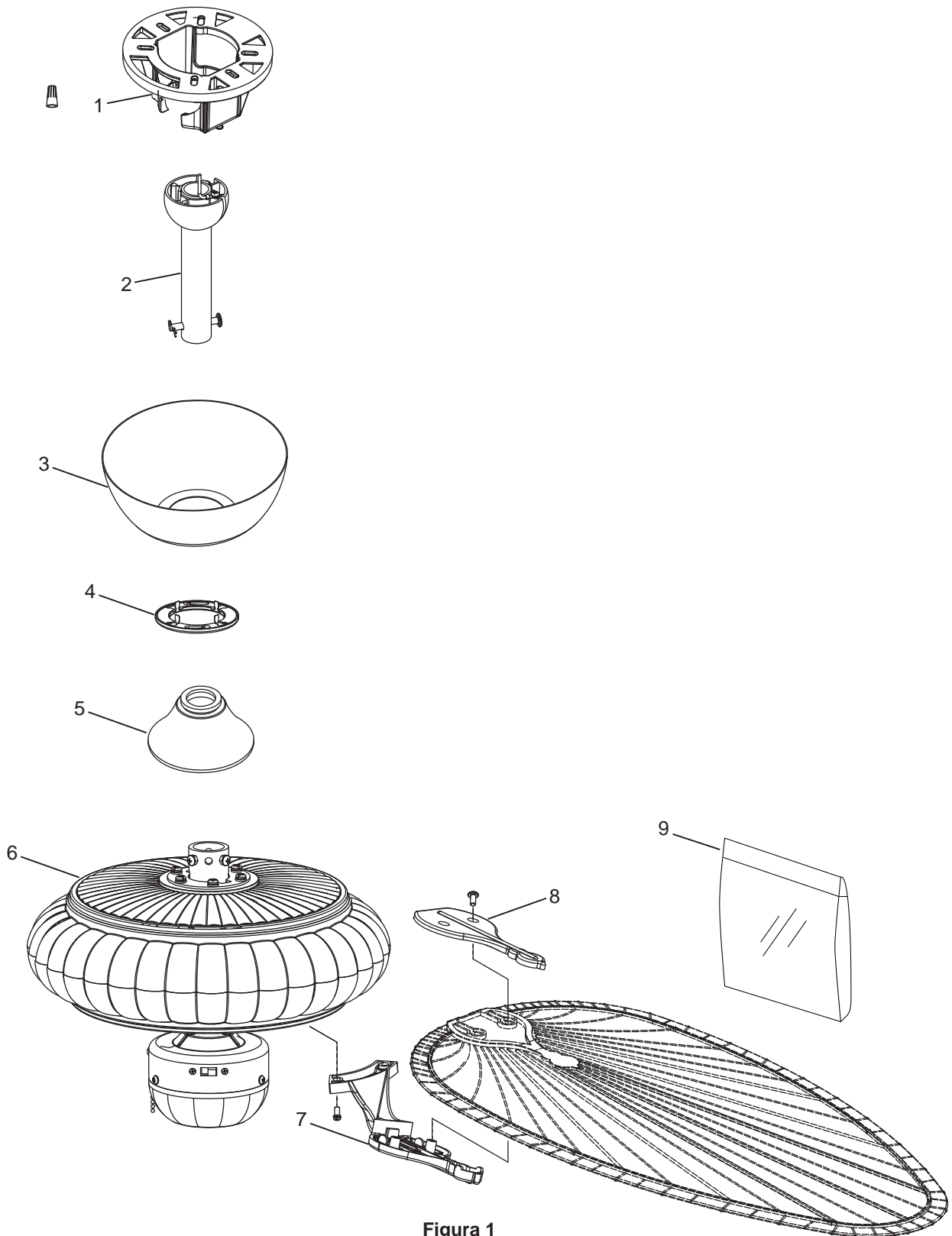


Figura 1

NOTA: la ilustración que se muestra no está hecha a escala y su configuración real puede variar

Solución de problemas

ADVERTENCIA

Para su propia seguridad, desconecte la electricidad de la caja de fusibles o disyuntor antes de solucionar problemas en su ventilador.

| Problema | Causa posible | Solución sugerida |
|--|--|---|
| 1. EL VENTILADOR NO ARRANCA | <ol style="list-style-type: none"> 1. El fusible o el disyuntor están fundidos. 2. Las conexiones eléctricas del ventilador o del interruptor en la caja del interruptor están flojas. 3. El conmutador inversor se encuentra en posición neutra. | <ol style="list-style-type: none"> 1. Controle los fusibles del circuito principal y derivado o los disyuntores. 2. Controle las conexiones eléctricas del ventilador y del interruptor en las cajas de los interruptores. <p>PRECAUCIÓN: ¡Asegúrese de que el suministro principal de electricidad esté desconectado!</p> <ol style="list-style-type: none"> 3. Asegúrese de que el conmutador inversor esté completamente a un lado. |
| 2. EL VENTILADOR HACE RUIDO | <ol style="list-style-type: none"> 1. Las aspas no están sujetas al ventilador 2. Hay tornillos flojos en la caja del motor. 3. Los tornillos que aseguran los soportes de las aspas al buje del motor están flojos. 4. Los conectores de cables dentro de la caja hacen ruido. 5. Ruido del motor provocado por el control de velocidad de estado sólido variable. 6. Los tornillos que sujetan las aspas a los soportes de aspas están flojos. | <ol style="list-style-type: none"> 1. Ajuste las aspas al ventilador antes de ponerlo en funcionamiento. 2. Asegúrese de que todos los tornillos de la caja del motor estén bien ajustados (pero no en exceso). 3. Asegúrese de que los tornillos que fijan los soportes de aspas al buje del motor del ventilador estén bien ajustados. 4. Asegúrese de que los conectores de cables en la caja del interruptor no produzcan ruido al rozar unos con otros o al rozar la pared interior de la caja del interruptor. <p>PRECAUCIÓN: ¡Asegúrese de que el suministro principal de electricidad esté desconectado!</p> <ol style="list-style-type: none"> 5. Algunos motores de ventilador son sensibles a las señales de los controles de velocidad de estado sólido variables. Los controles de estado sólido no son recomendables. Escoja un método de control alternativo. 6. Ajuste bien los tornillos. |
| 3. EL VENTILADOR OSCILA EN EXCESO | <ol style="list-style-type: none"> 1. El tornillo de fijación y la tuerca del soporte de barral están flojos. 2. El tornillo de fijación en la unidad del barral/de la semiesfera está flojo. 3. Los tornillos que aseguran los soportes de las aspas al buje del motor están flojos. 4. Los soportes de aspas no están colocados correctamente. 5. El soporte de suspensión o la caja de distribución eléctrica del techo no están bien asegurados. 6. Las aspas del ventilador están desbalanceadas. | <ol style="list-style-type: none"> 1. Ajuste bien los dos tornillos de fijación y las tuercas en el soporte de barral. 2. Ajuste el tornillo de fijación en la unidad del barral/de la semiesfera. 3. Asegúrese de que los tornillos que fijan los soportes de aspas al buje del motor del ventilador estén bien ajustados. 4. Asegúrese de que los soportes de las aspas del ventilador estén colocados firmemente y de manera uniforme en relación con la superficie de la caja del motor. Si los soportes están mal colocados, afloje los tornillos y vuelva a ajustarlos. 5. Ajuste los tornillos del soporte de suspensión de la caja de distribución eléctrica y asegúrela. 6. Al intercambiar la posición de las aspas, puede redistribuir el peso y hacer que el ventilador funcione más suavemente. Por ejemplo, intercambie las aspas en las posiciones 1 y 3, o 1 y 4. Si esto no mejora el nivel de oscilación, intercambie la 2 por la 4, o la 2 por la 5. |
| 4. NO HAY SUFICIENTE MOVIMIENTO DE AIRE | | <ol style="list-style-type: none"> 1. Si es posible, considere el uso de un barral más largo. Por ejemplo (no incluido, usted puede comprar el tiempo de la vara hacia abajo fanimation.com) |



10983 Bennett Parkway
Zionsville, IN 46077
(888) 567-2055
FAX (866) 482-5215

Desde fuera de los EE.UU., llame al (317) 733-4113
Visite nuestro sitio Web en www.fanimation.com