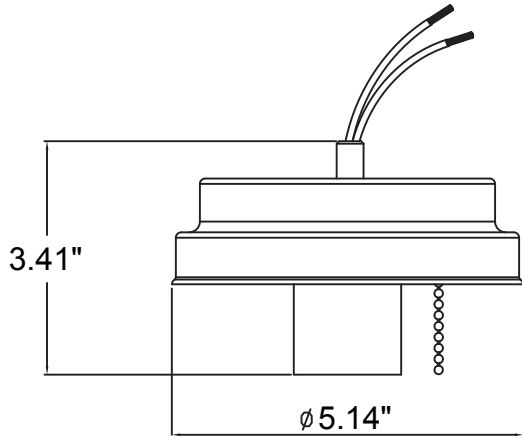


F6** Light Kit



Net Hanging Weight: 1.17 lbs



Available Finishes	
AB	Antique Brass
BL	Black
BN	Brushed Nickel
DZ	Dark Bronze
GR	Matte Greige
MW	Matte White
OB	Oil-Rubbed Bronze

Light Bulb Information (120V)						
Bulb Socket	Bulb Type	Watts	QTY	Lumens Amount	Color Temp	CRI
E26	LED	8.5	1	800	2700	90%

INSTALLATION REQUIREMENTS:

Remove the cover-switch and inner-switch housing from fan and install the light kit.

ELECTRICAL REQUIREMENTS:

Requires a grounded electrical supply line of 120 volts AC, 60 Hz, 15 amp circuit.

LIGHTING BULBS:

One 8.5-watt LED bulb included.

CONTROL:

ON/OFF and dimmable pull chain control.

GLASS OPTIONS:

Optional G2 and G3 glass— sold separately.

LOCATION USE:

AB, BN Light Kit is rated for dry locations only, BL, DZ, GR, MW, OB Light kit is rated for dry and damp locations.