

IMPORTANT

Read all instructions before assembling.

WARNING: To avoid damages, assemble the product on a soft, clean surface.

CAUTION: Keep small parts out of reach of children.

Before assembly, remove all parts and part packages from carton. If anything is missing or damaged, please contact the retailer from which the product was purchased or contact customer service, 800-613-3261.

elk HOME

ANY QUESTIONS CALL: 800-613-3261
M-F 8:00AM-6:00PM ET

H0895-10849 Clip Console Table

PACKAGE CONTENTS

Parts - Anti-tip kit		Quantity
A	ANCHOR	4
B	BRACKET	2
C	SCREW	4
D	STRAP	2

Parts	Quantity
E	TABLE

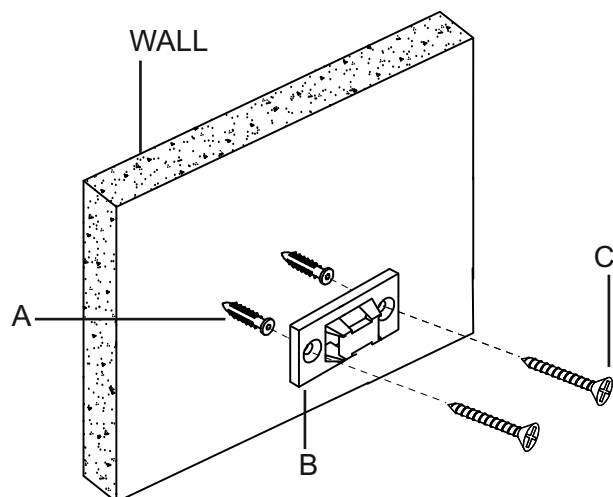
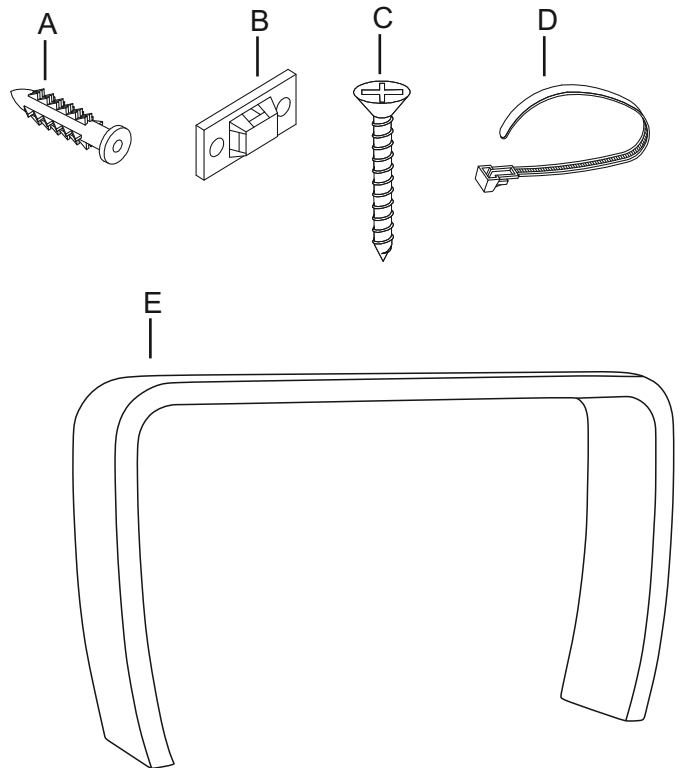
NOTES:

Two-person assembly.

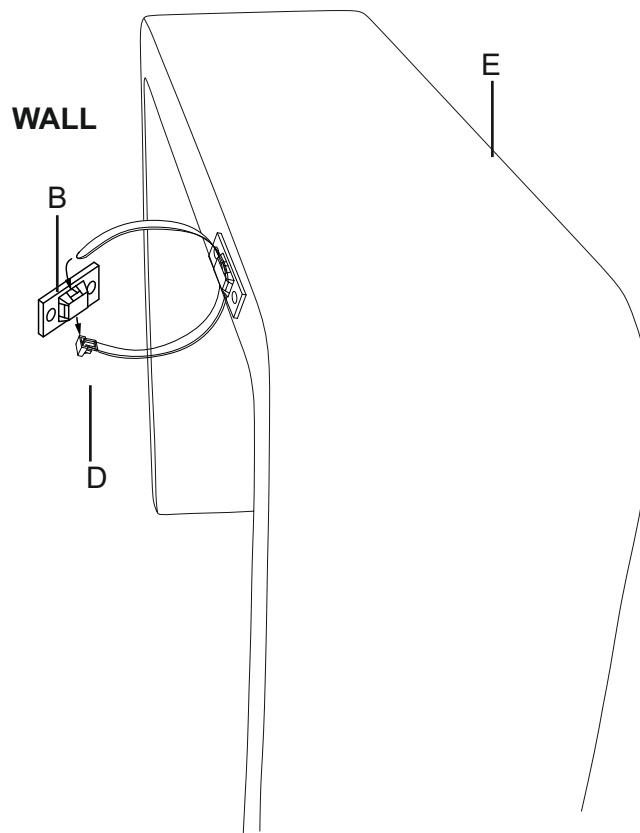
Approx. assembly time: 30 minutes

ANTI-TIP STRAP INSTALLATION

1. Place the table (E) in the desired location against a wall to determine where the legs of the table (E) align on the wall. Move table (E) aside to install brackets (B).
2. The anti-tip straps (D) will attach to the brackets on the back side of the table. Place the other bracket (B) on the wall where it will align with a table's bracket. Mark the location of each hole in the bracket (B) on the wall.
3. Using a drill bit the appropriate size for the anchor (A), drill a hole in the wall at each marked location.
4. Using a hammer, carefully tap one anchor (A) into each hole in wall. **NOTE:** If installing brackets (B) into wall studs, anchors (A) are not required.
5. Place one bracket (B) on the wall. Align the holes in the bracket (B) with the anchors (A).
6. Thread one screw (C) into each hole in the bracket (B) and into the anchors (A). Tighten the screws (C) to secure the bracket (B) to the wall.
7. Repeat steps 5 and 6 to install second bracket (B).



8. Place table (E) against wall. Ensure the table's bracket align with each bracket (B) on wall.
9. Insert one strap (D) through the hole in the table bracket and then into the hole of the wall bracket (B). Slip the pointed end of the strap (D) connecting them together. Do not fully tighten the strap (D). This will be done after the second strap (D) is installed.
10. Repeat step 9 to attach second strap (D) to second bracket (B).
11. After both straps (B) have been installed, carefully pull end of each strap (B) to tighten straps (B) and secure table (E) in place.

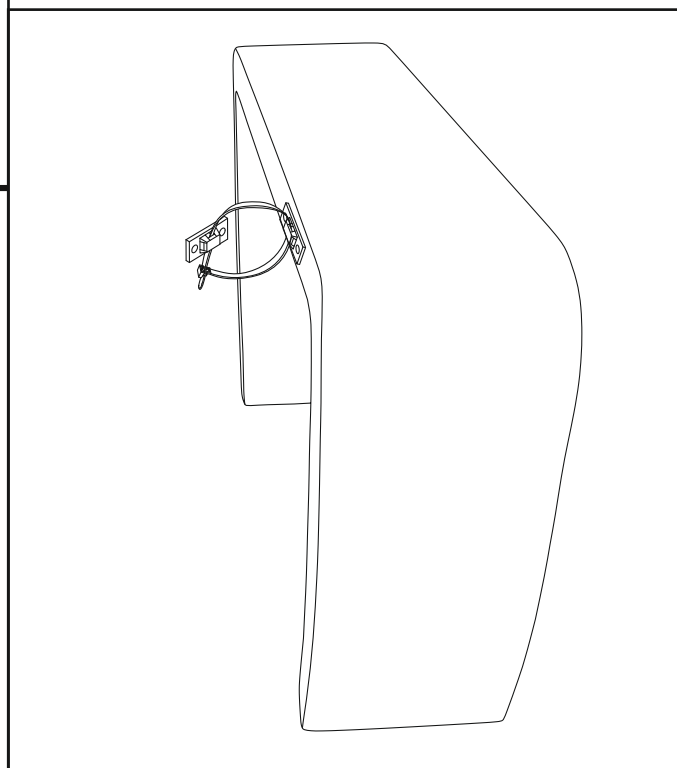


IMPORTANT: During the life of the product, periodically check all screws and fixings to ensure they are secure.

CARE AND CLEANING

- Before using, wipe with a clean, dry cloth.
- Dust and clean furniture with a clean, non-colored, lint-free cloth.
- Do not use any cleaners with chemicals, solvents or harsh abrasives.
- Do not put hot items directly on furniture surface.
- Do not place furniture in direct sunlight.
- Do not place furniture near heating or cooling vents.
- Do not write on furniture without a padded barrier to protect the surface.
- Do not place furniture outside. For indoor use only.
- Any liquid spilled on the table should be cleaned up immediately using a damp cloth.
- Avoid rubbing or scratching the surface with rough or abrasive objects.

PLEASE KEEP INSTRUCTIONS FOR FUTURE REFERENCE.



MADE IN INDIA