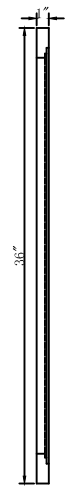
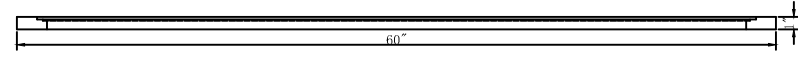


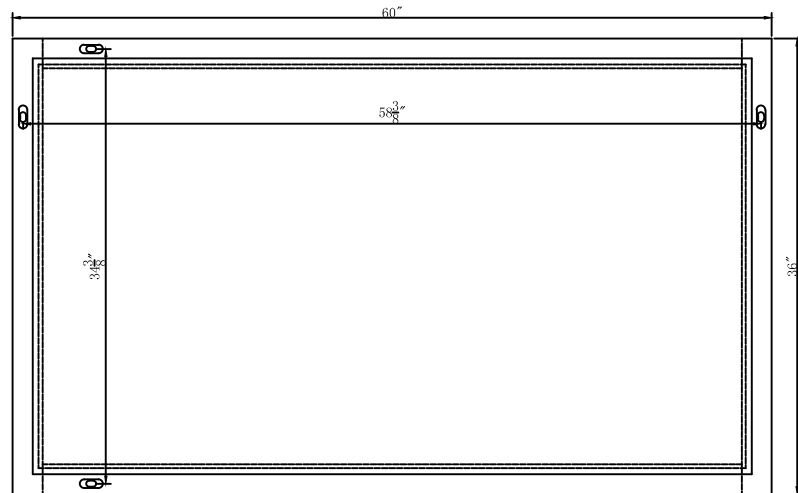
Front view



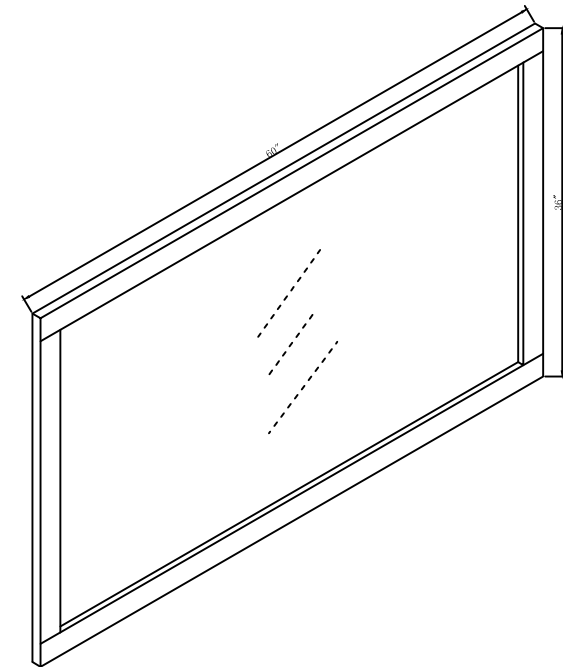
Side view




Top view



Back view



DWG. NO.	
MODEL NO: VM26036WH/GR	
SPEC NO:	
QUANTITY:	
DATE:	
CHECKED BY:	
FOR PROPOSAL ONLY ALL DIMENSIONS TO BE VERIFIED	
PROJECT:	
COLOR:	
FINISH:	
REVISIONS	
①	
②	
③	
④	
⑤	
⑥	
 ELEGANT FURNITURE & LIGHTING™	
500-550 E. Erie Avenue Philadelphia PA 19134 1-888-388-3390	

Model #	Product Type	Product Description	Style	Product Width (in)	Product Depth (in)	Product Height (in)	Mirror Width
VM26036 WH/GR	Mirror	Mirror 60"*36" Chevron	Contemporary	60	1	36	55-1/4
Mirror Depth	Mirror Height	Frame shape	Orientation	Frame finish	Frame material	Mounting / attachment type	Number of brackets
0.16	31-1/4	Rectangle	Vertical and Horizontal	White/Grey	Wood and mdf	Metal hook	4
Beveled glass	Frameless	Package LENGTH	Packaged WIDTH	Packaged HEIGHT	Package Weight	Product weight	Shipment Type
Yes	NO	64.25	40.5	4.5	56.36	45.20	Small Parcel
"Any certification? (CARB/TSCA VI)"	"Furniture/Vanity: California Proposition 65 warning required"						
Yes	Yes						

DWG. NO.

MODEL NO:
VM26036WH/GR

SPEC NO:

QUANTITY:

DATE:

CHECKED BY:

FOR PROPOSAL ONLY ALL DIMENSIONS TO BE VERIFIED

PROJECT:

COLOR:

FINISH:

REVISIONS

- ①
- ②
- ③
- ④
- ⑤
- ⑥

 **ELEGANT**
FURNITURE & LIGHTING™

500-550 E. Erie Avenue
Philadelphia PA 19134
1-888-388-3390