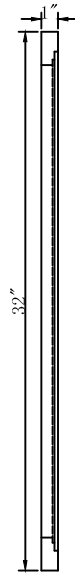
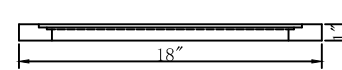


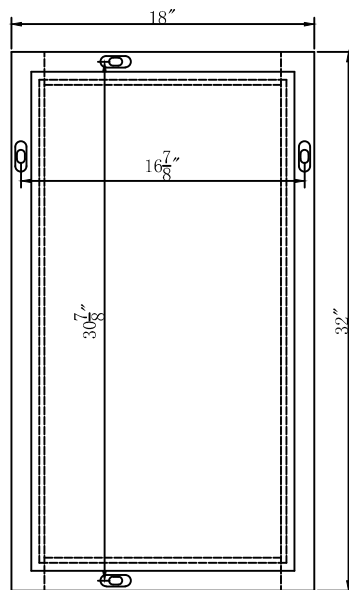
Front view



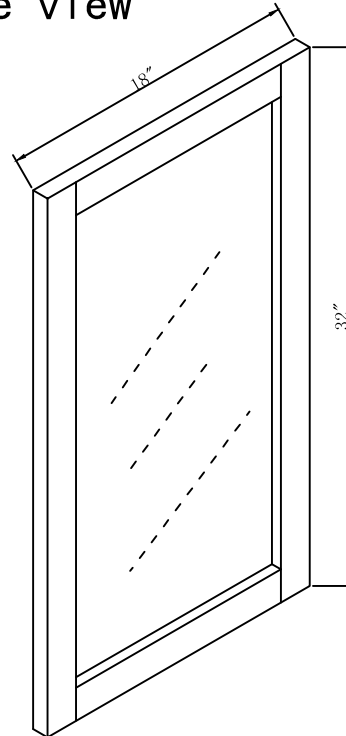
Side view



Top view



Back view



DWG. NO.

MODEL NO:
VM21832WH/GR

SPEC NO:

QUANTITY:

DATE:

CHECKED BY:

FOR PROPOSAL ONLY ALL
DIMENSIONS TO BE VERIFIED

PROJECT:

COLOR:

FINISH:

REVISIONS

- ①
- ②
- ③
- ④
- ⑤
- ⑥

 **ELEGANT**
FURNITURE & LIGHTING™

500-550 E. Erie Avenue

Philadelphia PA 19134

1-888-388-3390

Model #	Product Type	Product Description	Style	Product Width (in)	Product Depth (in)	Product Height (in)	Mirror Width
VM21832 WH/GR	Mirror	Mirror 18"*32" Chevron	Contemporary	18	1	32	14
Mirror Depth	Mirror Height	Frame shape	Orientation	Frame finish	Frame material	Mounting / attachment type	Number of brackets
0.12	28-1/8	Rectangle	Vertical and Horizontal	White/Grey	MDF	Metal hook	4
Beveled glass	Frameless	Package LENGTH	Packaged WIDTH	Packaged HEIGHT	Package Weight	Product weight	Shipment Type
Yes	NO	22.25	35.82	4	15.5	11.7	Small Parcel
"Any certification? (CARB/TSCA VI)"	"Furniture/Vanity: California Proposition 65 warning required"						
Yes	Yes						

DWG. NO.

MODEL NO:
VM21832WH/GR

SPEC NO:

QUANTITY:

DATE:

CHECKED BY:

FOR PROPOSAL ONLY ALL DIMENSIONS TO BE VERIFIED

PROJECT:

COLOR:

FINISH:

REVISIONS

- ①
- ②
- ③
- ④
- ⑤
- ⑥



500-550 E. Erie Avenue
Philadelphia PA 19134
1-888-388-3390