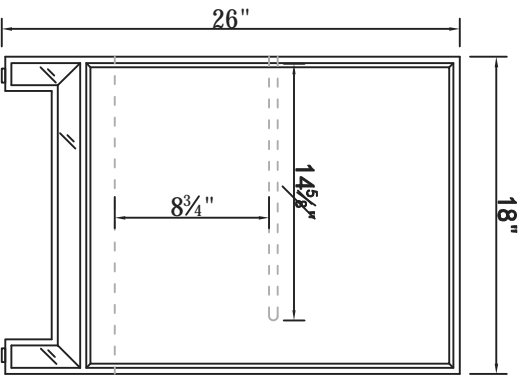
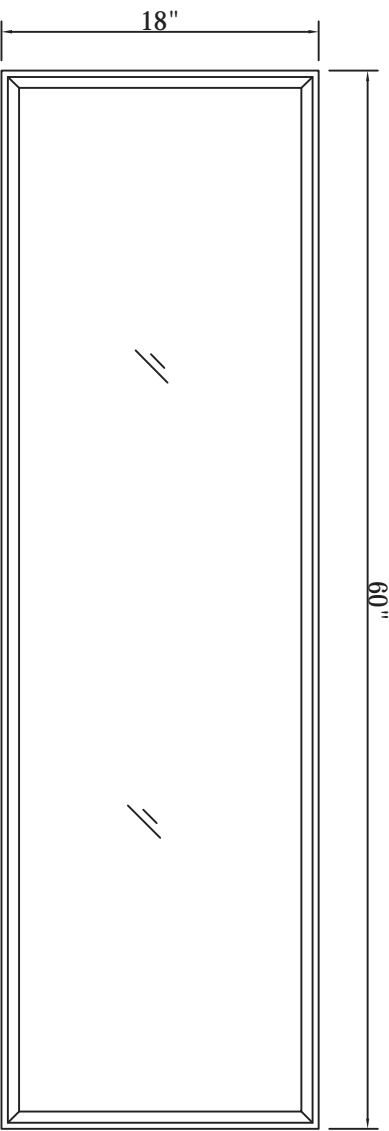


Front view



Side view



Top view

DWG. NO.

MODEL NO:

MF701S

SPEC NO:

QUANTITY:

DATE:

CHECKED BY:

FOR PROPOSAL ONLY ALL DIMENSIONS TO BE VERIFIED

PROJECT:

COLOR:

FINISH:

REVISIONS

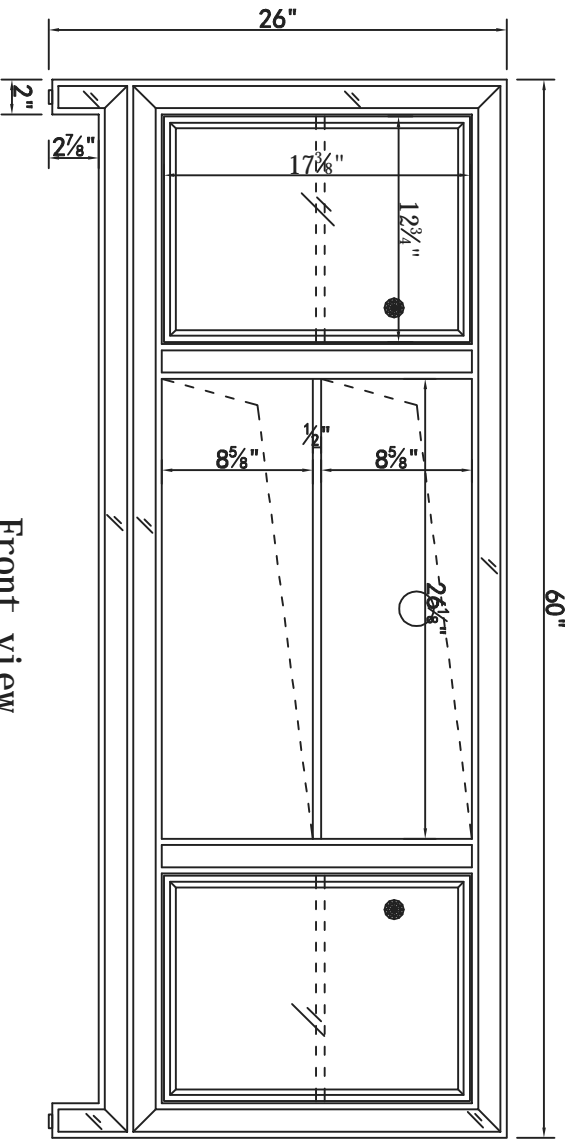
1	
2	
3	
4	
5	
6	



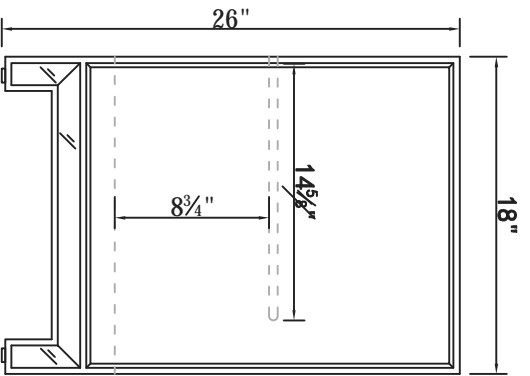
500-550 E. Erie Avenue

Philadelphia PA 19134

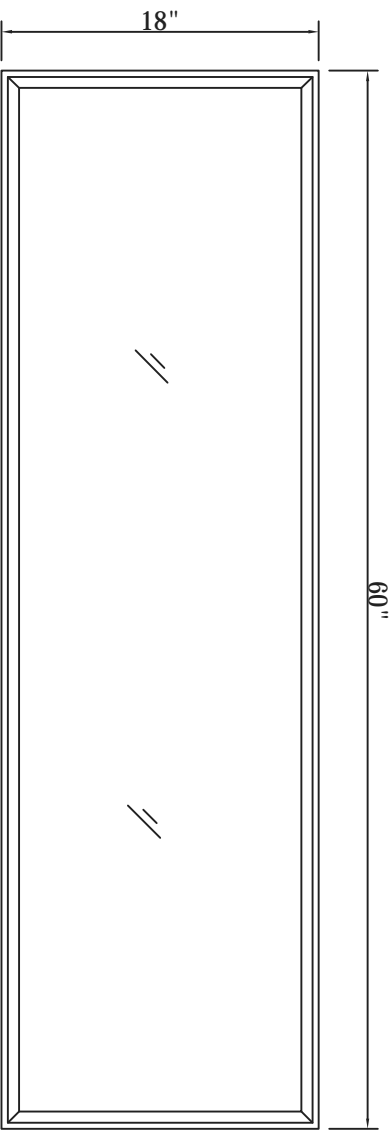
1-888-388-3390



Front view



Side view



Top view

DWG. NO.

MODEL NO:
MF701S

SPEC NO:

QUANTITY:

DATE:

CHECKED BY:

FOR PROPOSAL ONLY ALL
DIMENSIONS TO BE VERIFIED

PROJECT:

COLOR:

FINISH:

REVISIONS

1	
2	
3	
4	
5	
6	

 **ELEGANT**
FURNITURE & LIGHTING™

500-550 E. Erie Avenue

Philadelphia PA 19134

1-888-388-3390

Model #	MF701S	Finish	Antique silver	Hand Painted	Yes	gloss finish	NO	Mirror type	Clear mirror
Beveled glass	Yes	Frame material	Solid wood and MDF	Solid wood construction	Solid wood legs	wood species	Rubberwood	base material	MDF
base finish	Antique silver	powder coated finish	NO	Finished Back	Yes	Hardware finish	Crystal	top material	Mirror
Drawers Included	NO	Number of Drawers	0	Joinery Type	N/A	Drawer railing	N/A	Drawer Wdth	N/A
Drawer Depth	N/A	Drawer Height	N/A	Drawer Handle designs	knobs	felt lined drawers	N/A	drawer glide extension	N/A
drawer glide material	N/A	drawer dividers	N/A	Drawer Interior finish	N/A	Ball Bearing Glides	N/A	soft close drawer glides	N/A
Drawer Interior Wdth	N/A	Drawer Interior Depth	N/A	Drawers Interior Height	N/A	false drawers?	NO	safety stop	N/A
Shelves ?	yes	Number of Shelves	3	shelf material	MDF	adjustable shelves	Yes	shelf width	SHF1: 26-1/8", SHF2: 12-3/4", SHF3: 12-3/4"
shelf depth	SHF1: 14-5/8", SHF2: 14-5/8", SHF3: 14-5/8"	shelf height	SHF1: 8-3/4", SHF2: 8-3/4", SHF3: 8-3/4"	Shelf thickness	1/2"	Doors included	YES	Number of Doors	2
door thickness	7/8"	Number of cabinets	3	cabinet interior width	26-1/8" & 12-3/4" & 12-3/4"	cabinet interior depth	14-5/8" & 14-5/8" & 14-5/8"	cabinet interior height	17-3/8" & 17-3/8" & 17-3/8"
table top width	18"	table top finish	Antique silver	glass top tempered	no	table top maximum weight	66LBS	Table: seating capacity	1
upholstery color	N/A	upholstery pattern	N/A	cushion material	N/A	maximum weight capacity of seat	N/A	shape of top	Rectangle
leg width	2"	leg depth	2"	leg height	2-7/8"	leg design	Straight legs	Armories: ring slots tip over restraint strap	"N/A"
Armories: hooks	N/A	Armories: lift top	N/A	Armories: mirror dimensions	N/A	stackable	NO	Product Wdth (in)	N/A
Any certification?	CARB	California Proposition 65 warning required	YES	Assembly required?	NO	Shipping Type	LTL	Product Wdth (in)	60
Product Depth (in)	18	Product Height (in)	26	Product Weight (lbs)	115.28	Package 1 LENGTH	63.5	Package 1 WIDTH	21.5
Package 1 HEIGHT	31.25	Package 1 Weight (lbs)	135.28						

DWG. NO.

MODEL NO:
MF701S

SPEC NO:

QUANTITY:

DATE:

CHECKED BY:

FOR PROPOSAL ONLY ALL DIMENSIONS TO BE VERIFIED

PROJECT:

COLOR:

FINISH:

REVISIONS

1	
2	
3	
4	
5	
6	

 ELEGANT FURNITURE & LIGHTING™

500-550 E. Erie Avenue
Philadelphia PA 19134
1-888-388-3390