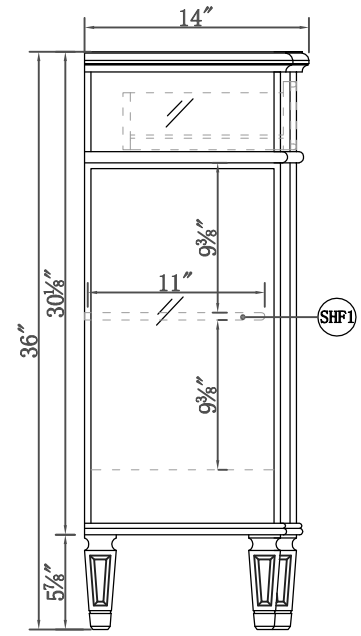
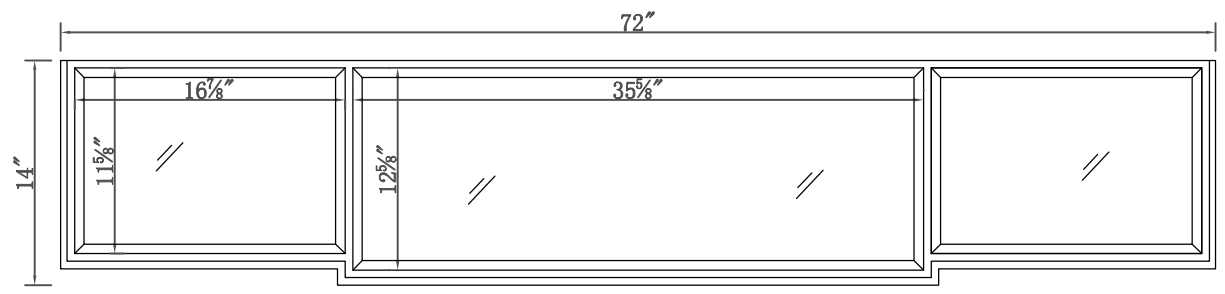


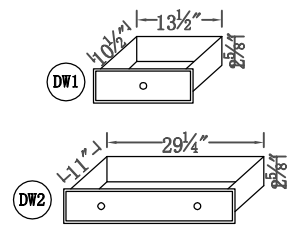
Front view



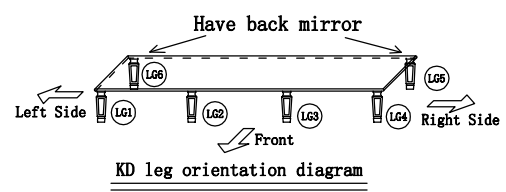
Side view




Top view



Drawer Interior Size



KD leg orientation diagram

DWG. NO.	
MODEL NO: MF6-2111GC	
SPEC NO:	
QUANTITY:	
DATE:	
CHECKED BY:	
FOR PROPOSAL ONLY ALL DIMENSIONS TO BE VERIFIED	
PROJECT:	
COLOR:	
FINISH:	
REVISIONS	
1	
2	
3	
4	
5	
6	
 ELEGANT FURNITURE & LIGHTING™	
500-550 E. Erie Avenue Philadelphia PA 19134 1-888-388-3390	

Model #	Finish	Hand Painted	gloss finish	Mirror type	Beveled glass	Frame material	Solid wood construction	wood species	base material
MF6-2111GC	gold	Yes	NO	Clear mirror	Yes	Solid wood and MDF	solid wood legs	Rubberwood	MDF
base finish	powder coated finish	Finished Back	Hardware finish	top material	Drawers Included	Number of Drawers	Joinery Type	Drawer railing	Drawer Width
gold	NO	Yes	Brushed steel finish	Mirror	YES	3	SOUARE ENDED BUTT JOINT	WOOD	DW1: 15-1/2" / DW2: 31"
Drawer Depth	Drawer Height	Drawer Handle designs	felt lined drawers	drawer glide extension	drawer glide material	drawer dividers	Drawer Interior finish	Ball Bearing Glides	soft close drawer glides
DW1: 14" / DW2: 14"	DW1: 4-1/4" / DW2: 4-1/4"	Knobs	NO	NO	WOOD	NO	gold	NO	NO
Drawer Interior Width	Drawer Interior Depth	Drawers Interior Height	false drawers?	safety stop	Shelves ?	Number of Shelves	shelf material	adjustable shelves	shelf width
DW1:13-1/2" / DW2:29-1/4"	DW1: 10-1/2" / DW2: 11"	DW1: 2-5/8" / DW2: 2-5/8"	NO	Yes	Yes	3	MDF	Yes	SHF1:14-3/4" / SHF2: 29-1/2" / SHF3: 14-3/4"
shelf depth	shelf height	Shelf thickness	Doors included	Number of Doors	door thickness	Number of cabinets	cabinet interior width	cabinet interior depth	cabinet interior height
SHF1:11" / SHF2:11" / SHF3:11"	SHF1:9-3/8" / SHF2:9-3/8" / SHF3:9-3/8"	1/2"	Yes	4	7/8"	3	14-3/4" / 29-1/2" / 14-3/4"	11" / 11" / 11"	18-1/4" / 18-1/4" / 18-1/4"
table top width	table top finish	glass top tempered	table top maximum weight	Table: seating capacity	upholstery color	upholstery pattern	cushion material	maximum weight capacity of seat	shape of top
14"	gold	NO	66LBS	1	N/A	N/A	N/A	N/A	Rectangle
leg width	leg depth	leg height	leg design	Armoires: ring slots	Armoires: hooks	Armoires:lift top	Armoires: mirror dimensions	stackable	tip over restraint strap
2"	2"	5-7/8"	Straight legs	N/A	N/A	N/A	N/A	NO	YES
"Any certification? (CARB/TSCA VI)"	"Furniture/Vanity: California Proposition 65 warning required"	"Furniture/Vanity: prop 65 chemical name"	Assembly required?	Shipping Type	Product Width (in)	Product Depth (in)	Product Height (in)	Product Weight (lbs)	Package 1 LENGTH
Yes	Yes	Cadmium	No	LTL	72"	14"	36"	170.72	76.125
Packaged 1 WIDTH	Packaged 1 HEIGHT	Packaged 1 Weight (lbs)							
18.5	41.5	210.32							

DWG. NO.

MODEL NO:
MF6-2111GC

SPEC NO:

QUANTITY:

DATE:

CHECKED BY:

FOR PROPOSAL ONLY ALL DIMENSIONS TO BE VERIFIED

PROJECT:

COLOR:

FINISH:

REVISIONS

①

②

③

④

⑤

⑥

 ELEGANT
FURNITURE & LIGHTING™

500-550 E. Erie Avenue

Philadelphia PA 19134

1-888-388-3390