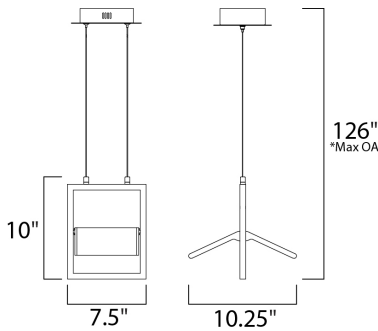


**PRODUCT DESCRIPTION**

Wings of extruded aluminum encase dual edge-lit LED panels which evenly distribute light to the surface below. The Black metal frame is accented with Polished Chrome end caps for striking contrast. The pendant and plug in lamps pivot in the center to allow you to direct the light.



\*max overall height

**MEASUREMENTS**

DIMENSION : 10.25" L x 10.25" W x 10." H  
 MAX OAH : 126." OAH x 6.25" OAH  
 HANGING WEIGHT : 13.2 lb

**LAMPING**

INPUT VOLTAGE : 120V  
 LUMENS : 700 Rated (0 Del.)  
 BULB : 1 x 10W (INTEGRATED), 10W Total  
 DIMMABLE : Dimmable  
 CRI : 80+ CRI  
 COLOR\_TEMP : 3000K

**FINISHES OPTION**

Black / Polished Chrome  
 BKPC



**MATERIAL**

Steel+Aluminum

**RATINGS**

cETLus  
 Dry Location

Dimmable



**ADDITIONAL**

ADJUSTABLE  
 RATED LIFE 40000 Hours  
 OPERATING TEMPERATURE:  
 -20°C (-4°F), 40°C (104°F)

Always consult a qualified electrician before installing any lighting product.



**WESTERN DISTRIBUTION CENTER (HEADQUARTER)**  
 253 NORTH VINELAND AVE | CITY OF INDUSTRY, CA 91746  
**EASTERN DISTRIBUTION CENTER**  
 4200 SHIRLEY DR. | ATLANTA, GA 30336  
 P. 626.956.4200 | F. 626.956.4225 | maximlighting.com