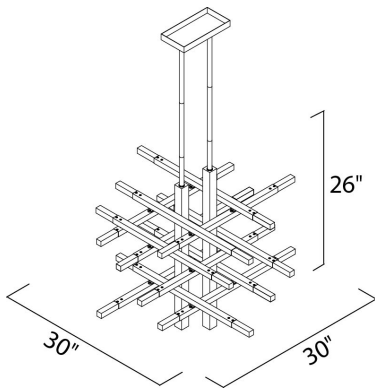


PRODUCT DESCRIPTION

Sculptures of intersecting metal tubing finished in Polished Chrome are terminated with light sabers of Frost acrylic. The acrylic sabers are illuminated by dimmable LED modules which provide energy efficiency and extra long life.




MEASUREMENTS

DIMENSION : 30" W x 26" H
 MAX OAH : 72" OAH
 CANOPY : 4.5" W x 1" H x 9" L
 HANGING WEIGHT : 18.7 lb

LAMPING

INPUT VOLTAGE : 120V
 LUMENS : 3,120 Rated
 BULB : 26 x 1.5W LED PCB Integrated , 39W Total
 BULB INCLUDED : (Integrated)
 DIMMABLE : Triac CL
 CRI : 80+ CRI
 COLOR_TEMP : 3000K

FINISHES OPTION

 Polished Chrome

GLASS

Frosted 90

MATERIAL

Acrylic, Steel

RATINGS

cETLus
 Dry Location



ADDITIONAL

SLOPE: 120
 OPERATING TEMPERATURE:
 -20°C (-4°F), 40°C (104°F)

Always consult a qualified electrician before installing any lighting product.



WESTERN DISTRIBUTION CENTER (HEADQUARTER)
 253 NORTH VINELAND AVE | CITY OF INDUSTRY, CA 91746
EASTERN DISTRIBUTION CENTER
 4200 SHIRLEY DR. | ATLANTA, GA 30336
 P. 626.956.4200 | F. 626.956.4225 | et2online.com