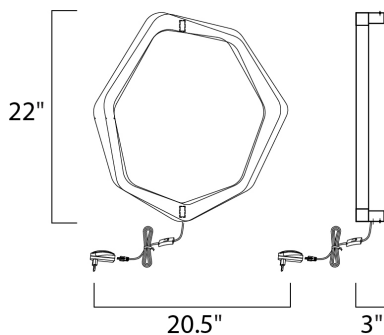


**PRODUCT DESCRIPTION**

Channels of Polished Chrome stainless steel are formed by hand into an irregular shaped ring. LED modules are then recessed into the pendant frame and diffused through beveled crystals, bouncing light off the irregular surfaces to create a unique lighting effect. Coordinating non-lighted mirror pairs well with modern decor.



**MEASUREMENTS**

DIMENSION : 20.5" W x 22" H x 3" Ext  
 HANGING WEIGHT : 5.06 lb

**LAMPING**

INPUT VOLTAGE : 120V  
 LUMENS : 630 Rated  
 BULB : 7 x 2W LED PCB Integrated , 14W Total  
 BULB INCLUDED : (Integrated)  
 DIMMABLE : No  
 CRI : 80+ CRI  
 COLOR\_TEMP : 3000K  
 LIGHTING\_DIRECTION : Indirect

**FINISHES OPTION**

 Polished Chrome

**MATERIAL**

Stainless Steel

**RATINGS**

cETLus  
 Damp Location  
 ADA



**ADDITIONAL**

INSTALL UP/DOWN: Up  
 RATED LIFE 25000 Hours  
 OPERATING TEMPERATURE:  
 -20°C (-4°F), 40°C (104°F)

Always consult a qualified electrician before installing any lighting product.



**WESTERN DISTRIBUTION CENTER (HEADQUARTER)**  
 253 NORTH VINELAND AVE | CITY OF INDUSTRY, CA 91746  
**EASTERN DISTRIBUTION CENTER**  
 4200 SHIRLEY DR. | ATLANTA, GA 30336  
 P. 626.956.4200 | F. 626.956.4225 | et2online.com